

JVC

SERVICE MANUAL

CD RECEIVER

KD-G805

Area suffix

U ----- Other Areas

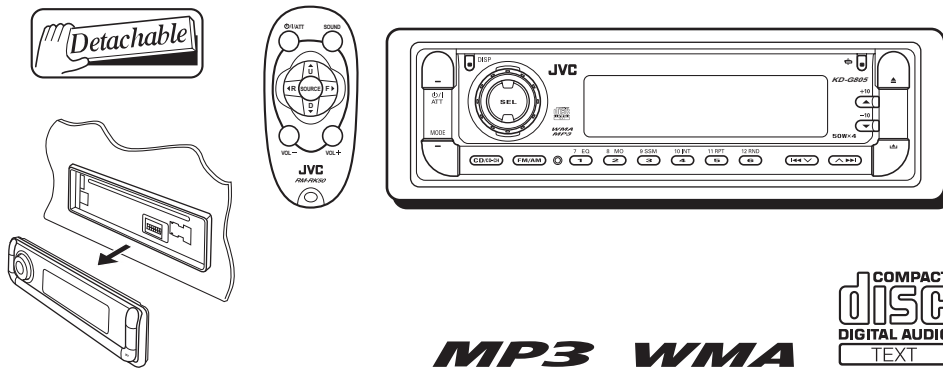


TABLE OF CONTENTS

1	PRECAUTION.....	1-3
2	SPECIFIC SERVICE INSTRUCTIONS.....	1-5
3	DISASSEMBLY.....	1-6
4	ADJUSTMENT.....	1-27
5	TROUBLE SHOOTING.....	1-28

SPECIFICATION

AUDIO AMPLIFIER SECTION		
Maximum Power Output	Front	50 W per channel
	Rear	50 W per channel
Continuous Power Output (RMS)	Front	19 W per channel into 4 Ω , 40 Hz to 20 000 Hz at no more than 0.8% total harmonic distortion.
	Rear	19 W per channel into 4 Ω , 40 Hz to 20 000 Hz at no more than 0.8% total harmonic distortion.
Load Impedance		4 Ω (4 Ω to 8 Ω allowance)
Frequency Control Range	Low	± 12 dB (60 Hz, 80 Hz, 100 Hz, 120 Hz)
	Mid	± 12 dB
	High	± 12 dB (8 kHz, 10 kHz, 12 kHz, 15 kHz)
Frequency Response		40 Hz to 20 000 Hz
Signal-to-Noise Ratio		70 dB
Line-Out Level/Impedance		5.0 V/20 k Ω load (full scale)
Output Impedance		1 k Ω
Subwoofer-Out Level/Impedance		2.0 V/20 k Ω load (full scale)
TUNER SECTION		
Frequency Range	FM	87.5 MHz to 108.0 MHz
	AM	531 kHz to 1 602 kHz
[FM Tuner]	Usable Sensitivity	11.3 dBf (1.0 μ V/75 Ω)
	50 dB Quieting Sensitivity	16.3 dBf (1.8 μ V/75 Ω)
	Alternate Channel Selectivity (400 kHz)	65 dB
	Frequency Response	40 Hz to 15 000 Hz
	Stereo Separation	35 dB
	Capture Ratio	1.5 dB
[AM Tuner]	Sensitivity	20 μ V
	Selectivity	35 dB
CD PLAYER SECTION		
Type		Compact disc player
Signal Detection System		Non-contact optical pickup (semiconductor laser)
Number of channels		2 channels (stereo)
Frequency Response		5 Hz to 20 000 Hz
Dynamic Range		96 dB
Signal-to-Noise Ratio		98 dB
Wow and Flutter		Less than measurable limit
MP3 decoding format		MPEG1/2 Audio Layer 3 Max. Bit Rate:192 Kbps
GENERAL		
Power Requirement	Operating Voltage	DC 14.4 V (11 V to 16 V allowance)
Grounding System		Negative ground
Allowable Operating Temperature		0°C to +40°C
Dimensions (W \times H \times D)	Installation Size (approx.)	182 mm \times 52 mm \times 159 mm
	Panel Size (approx.)	188 mm \times 58 mm \times 12 mm
Mass (approx.)		1.5 kg (excluding accessories)

Design and specifications are subject to change without notice.

1.2 Preventing static electricity

Electrostatic discharge (ESD), which occurs when static electricity stored in the body, fabric, etc. is discharged, can destroy the laser diode in the traverse unit (optical pickup). Take care to prevent this when performing repairs.

1.2.1 Grounding to prevent damage by static electricity

Static electricity in the work area can destroy the optical pickup (laser diode) in devices such as CD players.

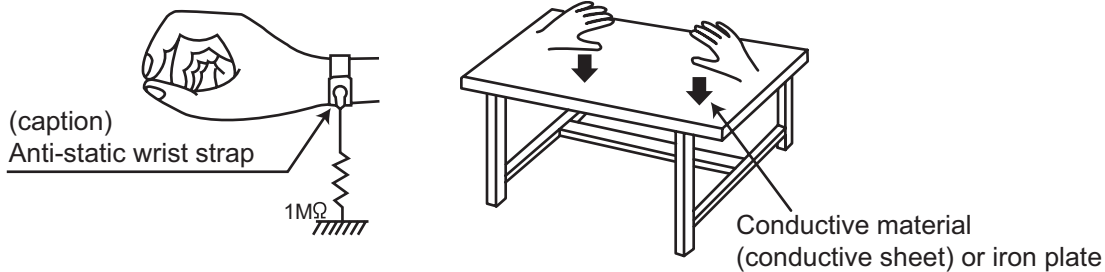
Be careful to use proper grounding in the area where repairs are being performed.

(1) Ground the workbench

Ground the workbench by laying conductive material (such as a conductive sheet) or an iron plate over it before placing the traverse unit (optical pickup) on it.

(2) Ground yourself

Use an anti-static wrist strap to release any static electricity built up in your body.



(3) Handling the optical pickup

- In order to maintain quality during transport and before installation, both sides of the laser diode on the replacement optical pickup are shorted. After replacement, return the shorted parts to their original condition. (Refer to the text.)
- Do not use a tester to check the condition of the laser diode in the optical pickup. The tester's internal power source can easily destroy the laser diode.

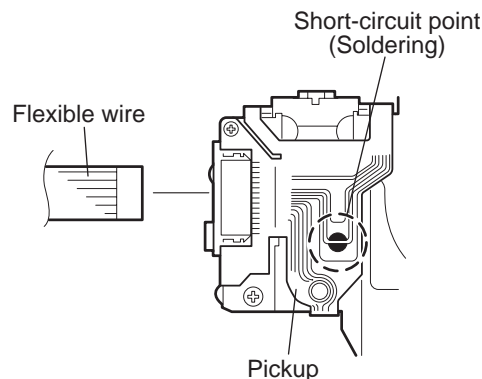
1.3 Handling the traverse unit (optical pickup)

- (1) Do not subject the traverse unit (optical pickup) to strong shocks, as it is a sensitive, complex unit.
- (2) Cut off the shorted part of the flexible cable using nippers, etc. after replacing the optical pickup. For specific details, refer to the replacement procedure in the text. Remove the anti-static pin when replacing the traverse unit. Be careful not to take too long a time when attaching it to the connector.
- (3) Handle the flexible cable carefully as it may break when subjected to strong force.
- (4) It is not possible to adjust the semi-fixed resistor that adjusts the laser power. Do not turn it.

1.4 Attention when traverse unit is decomposed

***Please refer to "Disassembly method" in the text for the CD pickup unit.**

- Apply solder to the short land before the flexible wire is disconnected from the connector on the CD pickup unit. (If the flexible wire is disconnected without applying solder, the CD pickup may be destroyed by static electricity.)
- In the assembly, be sure to remove solder from the short land after connecting the flexible wire.



SECTION 3 DISASSEMBLY

3.1 Main body

3.1.1 Removing the front panel assembly

(See Fig.1)

- (1) Push the detach button in the lower right part of the front panel assembly.
- (2) Remove the front panel assembly.

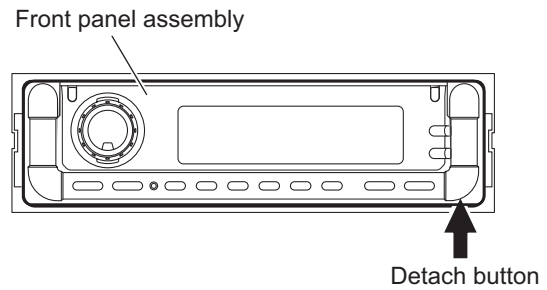


Fig.1

3.1.2 Removing the heat sink

(See Fig.2)

- (1) From the left side of the main body, remove the two screws **A** and three screws **B** attaching the heat sink.

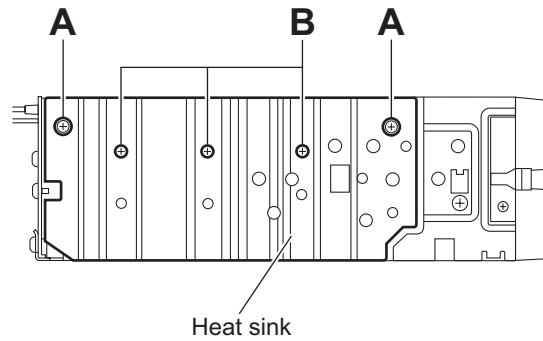


Fig.2

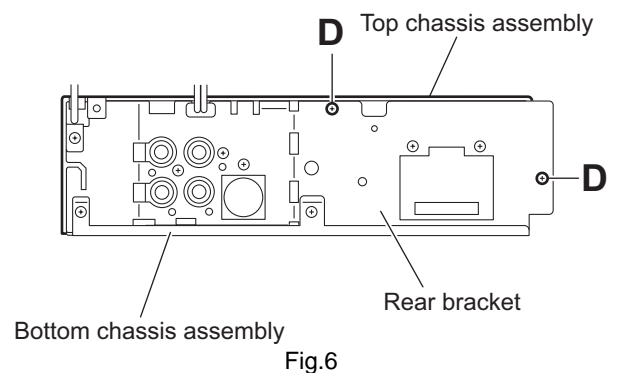
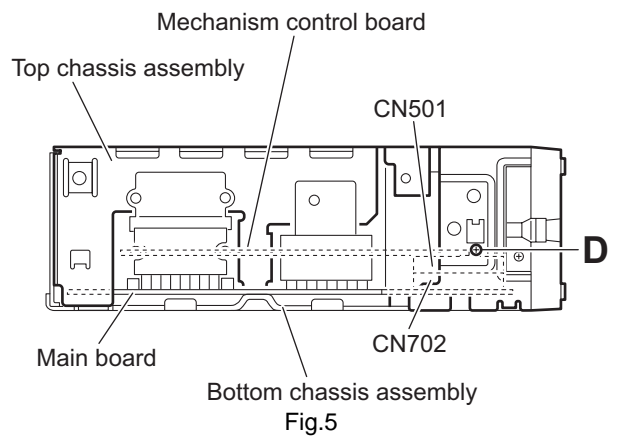
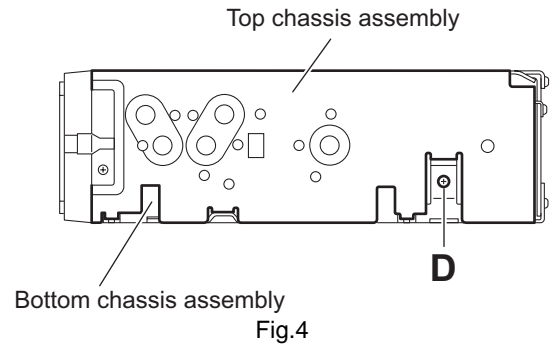
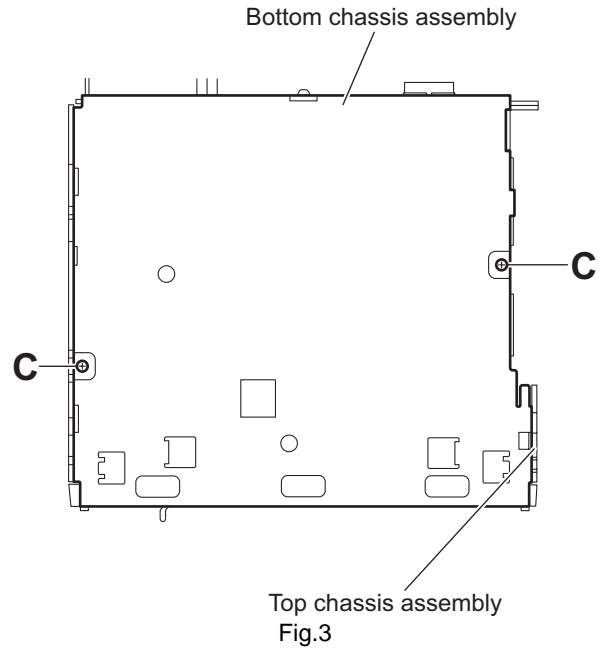
3.1.3 Removing the top chassis assembly (See Figs.3 to 6)

- Prior to performing the following procedures, remove the heat sink.

Reference:

Remove the front panel assembly as required.

- (1) From the bottom side of the main body, remove the two screws **C** attaching the top chassis assembly to the bottom chassis assembly. (See Fig.3.)
- (2) From the both and rear sides of the main body, remove the four screws **D** attaching the top chassis assembly to the bottom chassis assembly. (See Figs.4 to 6.)
- (3) Lift the top chassis assembly in the direction of the arrow, disconnect the connector [CN501](#) on the mechanism control board from the connector [CN702](#) on the main board. (See Figs.5 and 6.)
- (4) Take out the top chassis assembly from the bottom chassis assembly.



3.1.4 Removing the front chassis (See Figs.7 and 8)

- Prior to performing the following procedure, remove the front panel assembly, heat sink and top chassis assembly.
 - (1) From the both sides of the top chassis assembly, remove the two screws **E** attaching the front chassis.

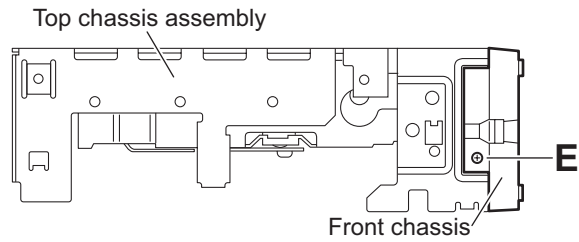


Fig.7

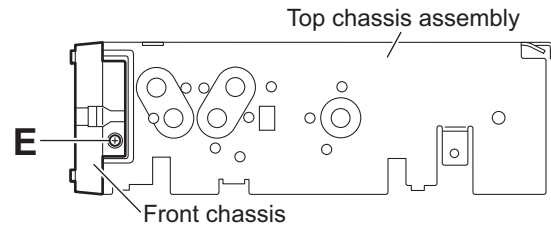


Fig.8

3.1.5 Removing the mechanism control board (See Fig.9)

- Prior to performing the following procedures, remove the front panel assembly, heat sink and top chassis assembly.
 - (1) Disconnect the card wire from the connector **CN601** on the mechanism control board.
 - (2) Remove the five screws **F** attaching the mechanism control board.
 - (3) Release the joints **a** and **b**, remove the mechanism control board.

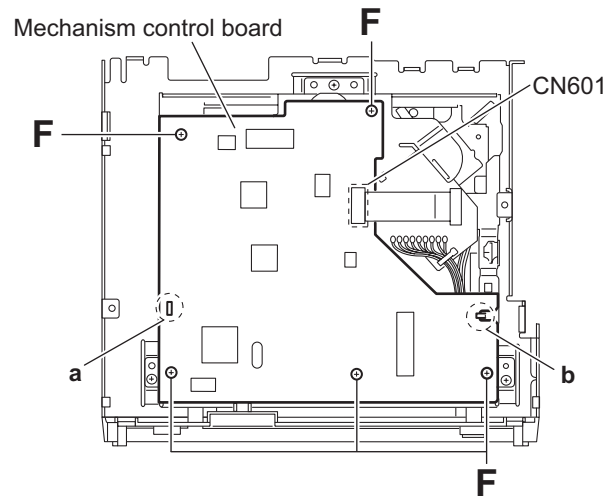


Fig.9

3.1.6 Removing the CD mechanism assembly (See Fig.10)

- Prior to performing the following procedures, remove the front panel assembly, heat sink and top chassis assembly.

Reference:

Remove the mechanism control board as required.

- (1) From the inside of the top chassis assembly, remove the three screws **G** attaching the CD mechanism assembly.
- (2) Take out the CD mechanism assembly from the top chassis.

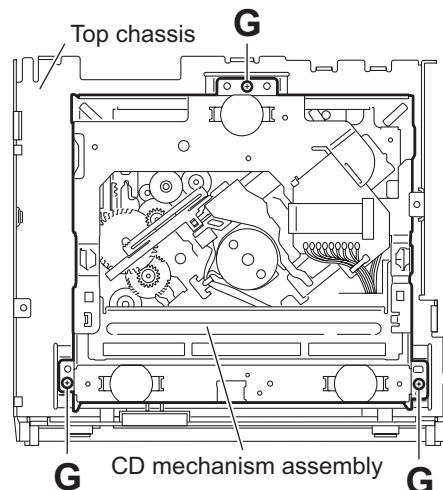


Fig.10

3.1.7 Removing the main board (See Figs.11 and 12)

- Prior to performing the following procedures, remove the front panel assembly, heat sink and top chassis assembly.
 - (1) From the rear side of the bottom chassis assembly, remove the two screws **H** attaching the rear bracket to the bottom chassis assembly. (See Fig.11.)
 - (2) From the top side of the bottom chassis assembly, remove the two screws **J** attaching the main board to the bottom chassis assembly. (See Fig.12.)
 - (3) Release the stopper of the connector [CN701](#) on the main board in an upward direction, disconnect the card wire from the connector [CN701](#). (See Fig.12.)
 - (4) Disconnect the wire from the connector of the front door mechanism assembly. (See Fig.12.)
 - (5) Disconnect the wire from the connector [CN951](#) on the main board. (See Fig.12.)

Reference:

After connecting the wires, fix the wires with the wire holder.

- (6) Take out the main board from the bottom chassis assembly.

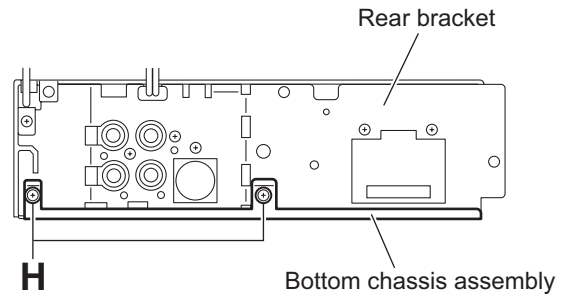


Fig.11

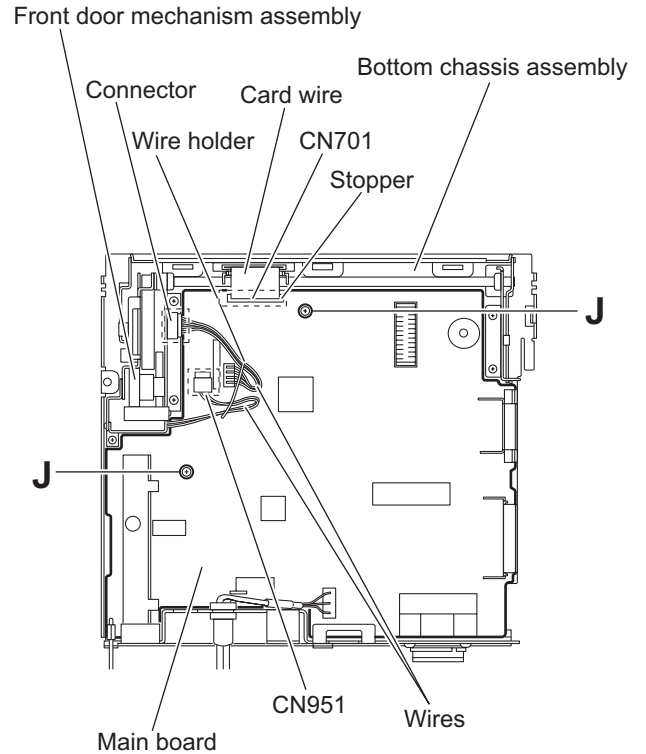


Fig.12

3.1.8 Removing the rear bracket (See Fig.13)

- Prior to performing the following procedures, remove the front panel assembly, heat sink, top chassis assembly and main board.

- (1) From the rear side of the main board, remove the subwoofer cable from the rear bracket in the direction of the arrow.
- (2) Remove the two screws **K** and three screws **L** attaching the rear bracket to the main board.

Reference:

After attaching the rear bracket to the main board, pass the subwoofer cable through the wire holder and insert them into the slot of the rear bracket.

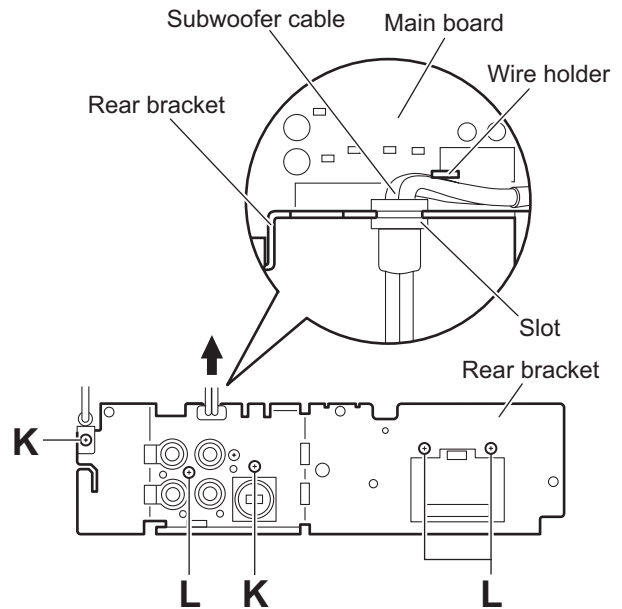


Fig.13

3.1.9 Removing the front door mechanism assembly (See Fig.14.)

- Prior to performing the following procedures, remove the front panel assembly, heat sink, top chassis assembly and main board.

- (1) From the top side of the bottom chassis assembly, remove the screw **M** attaching the FPC guide to the bottom chassis.
- (2) Remove the five screws **N** attaching the front door mechanism assembly to the bottom chassis.

Reference:

When attaching the screws **M** and **N**, apply a locking agent them.

- (3) Take out the front door mechanism assembly from the bottom chassis.

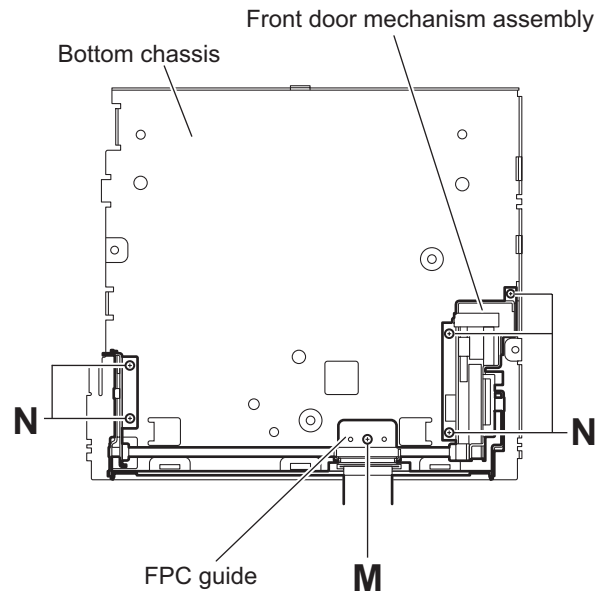


Fig.14

3.1.10 Removing the front board (See Figs.15 to 17)

- Prior to performing the following procedures, remove the front panel assembly.
 - (1) From the rear side of the front panel assembly, remove the four screws **P** attaching the rear cover assembly to the front panel assembly. (See Fig.15.)
 - (2) Release the twelve joints **c** of the front panel assembly and remove the rear cover assembly. (See Fig.16.)
 - (3) From the left side of the front panel assembly, pull out the knob in the direction of the arrow 2 while pulling the front board in the direction of the arrow 1. (See Fig.17.)
 - (4) Take out the front board from the front panel assembly. (See Fig.17.)

Note:

When removing the rear cover assembly and front board, be careful not to lose the comp. spring. (See Fig.17.)

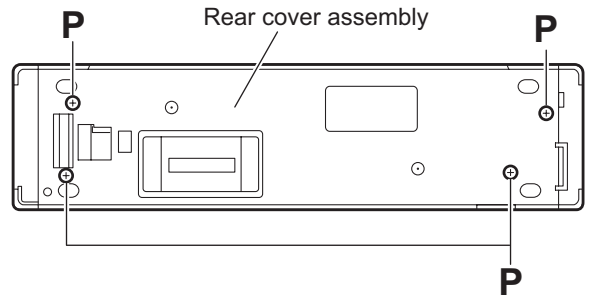


Fig.15

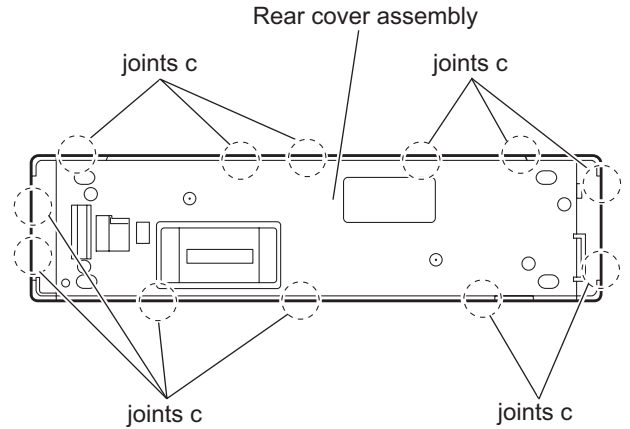


Fig.16

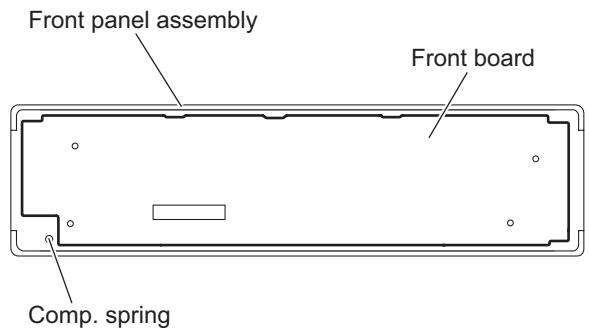


Fig.17

3.2 CD Mechanism section

3.2.1 Removing the top cover (See Figs.1 and 2)

- (1) Remove the four screws **A** on the both side of the body.
- (2) Lift the front side of the top cover and move the top cover backward to release the two joints **a**.

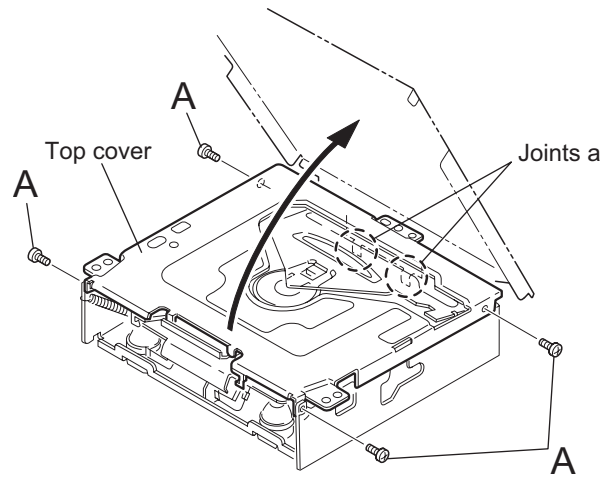


Fig.1

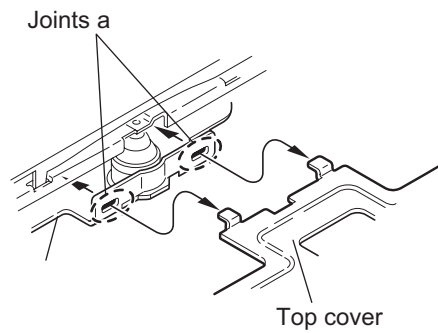


Fig.2

3.2.2 Removing the connector board (See Figs.3 to 5)

CAUTION:

Before disconnecting the flexible wire from the pickup, solder the short-circuit point on the pickup. No observance of this instruction may cause damage of the pickup.

- (1) Remove the screw **B** fixing the connector board.
- (2) Solder the short-circuit point on the pickup.
- (3) Disconnect the flexible wire from the pickup.
- (4) Move the connector board in the direction of the arrow to release the two joints **b**.
- (5) Unsolder the wires on the connector board if necessary.

CAUTION:

Unsolder the short-circuit point after reassembling.

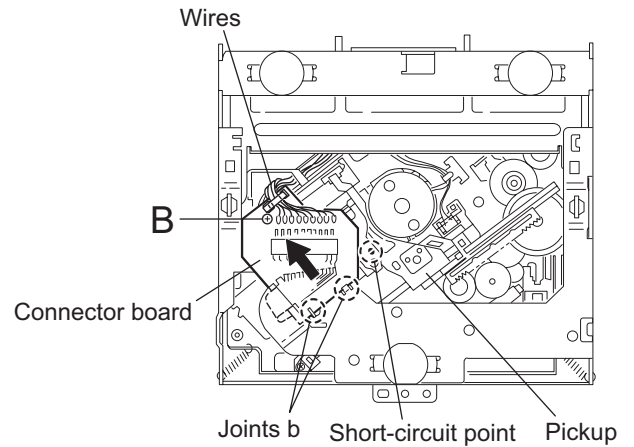


Fig.3

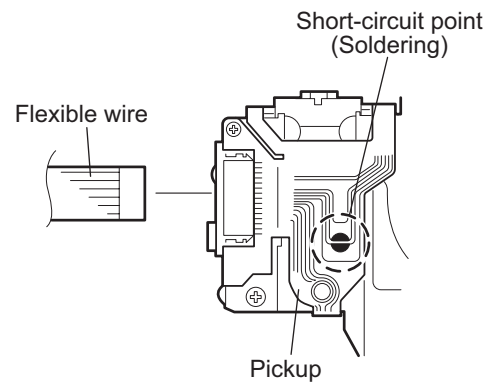


Fig.4

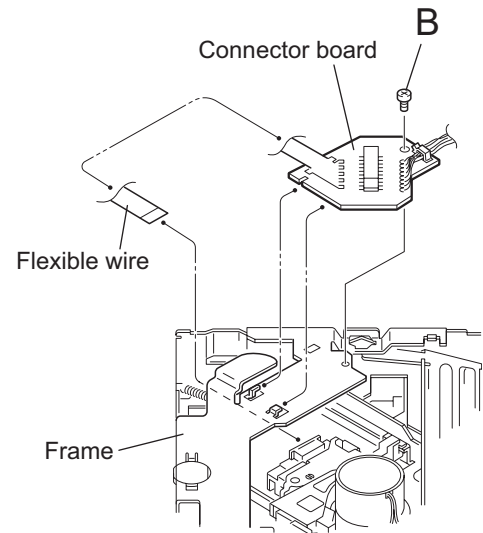


Fig.5

3.2.3 Removing the DET switch (See Figs.6 and 7)

- (1) Extend the two tabs c of the feed sw. holder and pull out the switch.
- (2) Unsolder the DET switch wire if necessary.

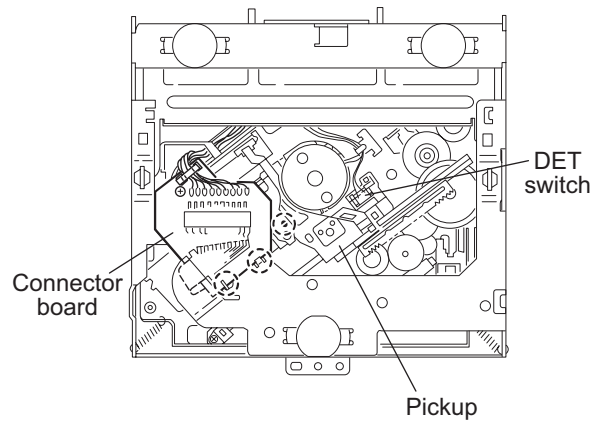


Fig.6

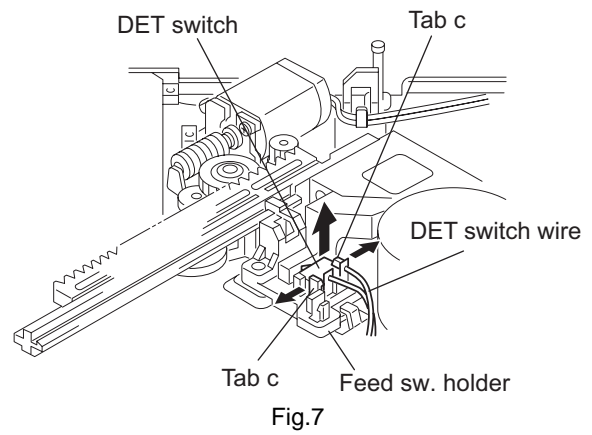


Fig.7

3.2.4 Removing the chassis unit (See Figs.8 and 9)

- Prior to performing the following procedure, remove the top cover and connector board.
(1) Remove the two suspension springs (L) and (R) attaching the chassis unit to the frame.

CAUTION:

- The shape of the suspension spring (L) and (R) are different. Handle them with care.
- When reassembling, make sure that the three shafts on the underside of the chassis unit are inserted to the dampers certainly.

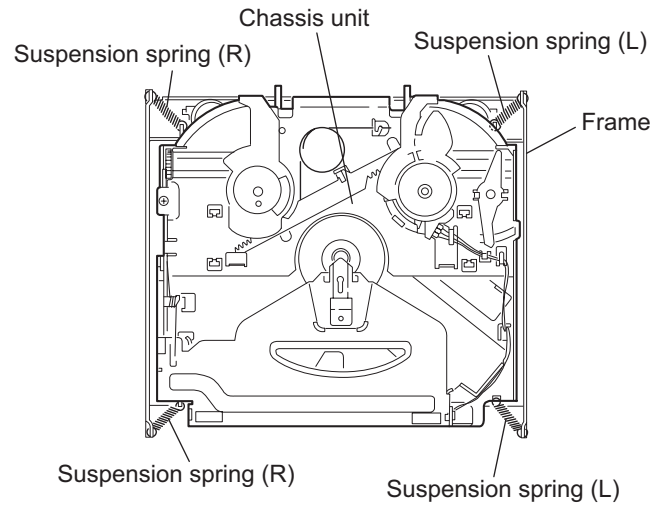


Fig.8

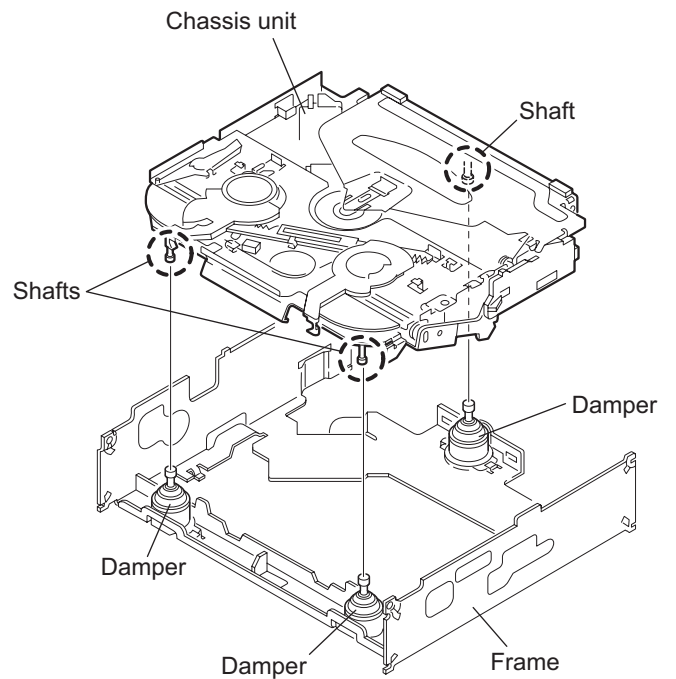
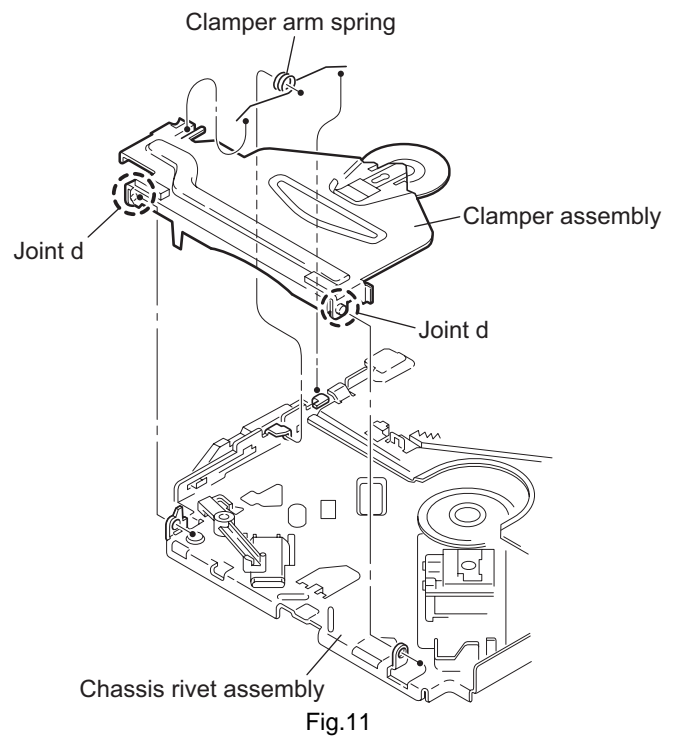
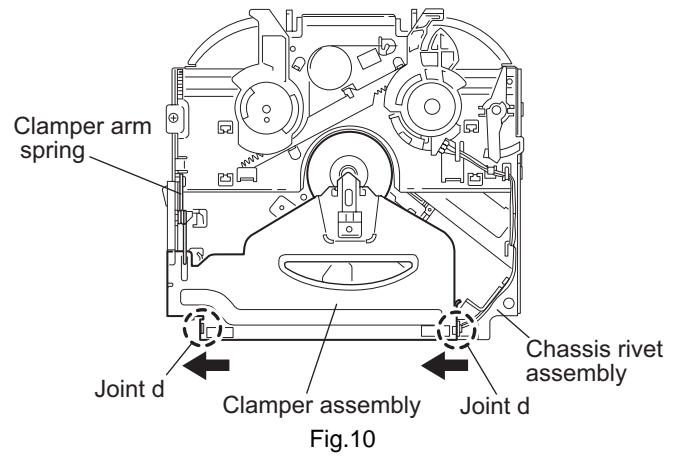


Fig.9

3.2.5 Removing the clamper assembly (See Figs.10 and 11)

- Prior to performing the following procedure, remove the top cover.
 - (1) Remove the clamper arm spring.
 - (2) Move the clamper assembly in the direction of the arrow to release the two joints **d**.

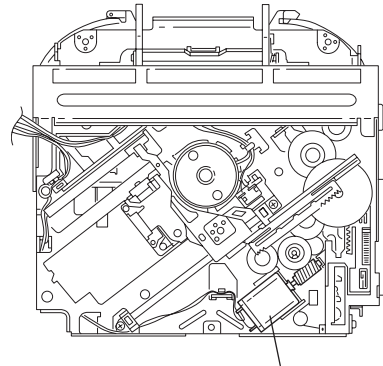


3.2.6 Removing the loading / feed motor assembly (See Figs.12 and 13)

- Prior to performing the following procedure, remove the top cover, connector board and chassis unit.
 - (1) Remove the screw **C** and move the loading / feed motor assembly in the direction of the arrow to remove it from the chassis rivet assembly.
 - (2) Disconnect the wire from the loading / feed motor assembly if necessary.

CAUTION:

When reassembling, connect the wire from the loading / feed motor assembly to the flame as shown in Fig.12.



Loading / feed motor assembly

Fig.12

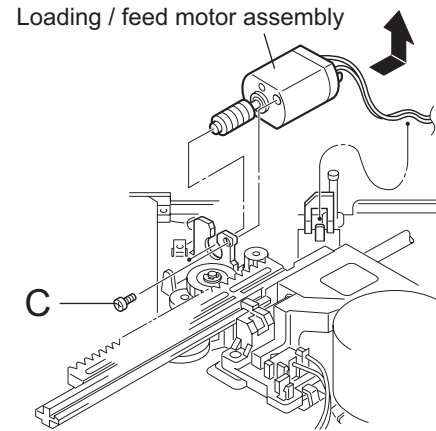


Fig.13

3.2.7 Removing the pickup unit (See Figs.14 to 18)

- Prior to performing the following procedure, remove the top cover, connector board and chassis unit.
- (1) Remove the screw **D** and pull out the pu. shaft holder from the pu. shaft.
- (2) Remove the screw **E** attaching the feed sw. holder.
- (3) Move the part **e** of the pickup unit upward with the pu. shaft and the feed sw. holder, then release the joint **f** of the feed sw. holder in the direction of the arrow. The joint **g** of the pickup unit and the feed rack is released, and the feed sw. holder comes off.
- (4) Remove the pu. shaft from the pickup unit.
- (5) Remove the screw **F** attaching the feed rack to the pickup unit.

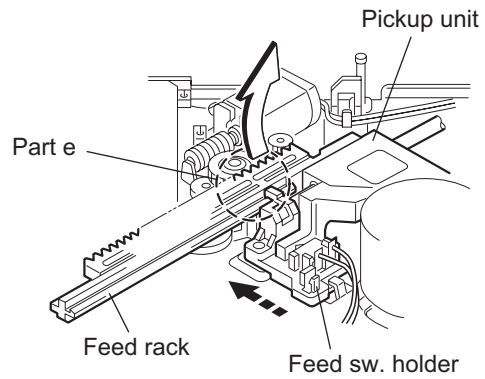


Fig.15

3.2.8 Reattaching the pickup unit (See Figs.14 to 17)

- (1) Reattach the feed rack to the pickup unit using the screw **F**.
- (2) Reattach the feed sw. holder to the feed rack while setting the joint **g** to the slot of the feed rack and setting the joint **f** of the feed rack to the switch of the feed sw. holder correctly.
- (3) As the feed sw. holder is temporarily attached to the pickup unit, set to the gear of the joint **g** and to the bending part of the chassis (joint **h**) at a time.

CAUTION:

Make sure that the part **i** on the underside of the feed rack is certainly inserted to the slot **j** of the change lock lever.

- (4) Reattach the feed sw. holder using the screw **E**.
- (5) Reattach the pu. shaft to the pickup unit. Reattach the pu. shaft holder to the pu. shaft using the screw **D**.

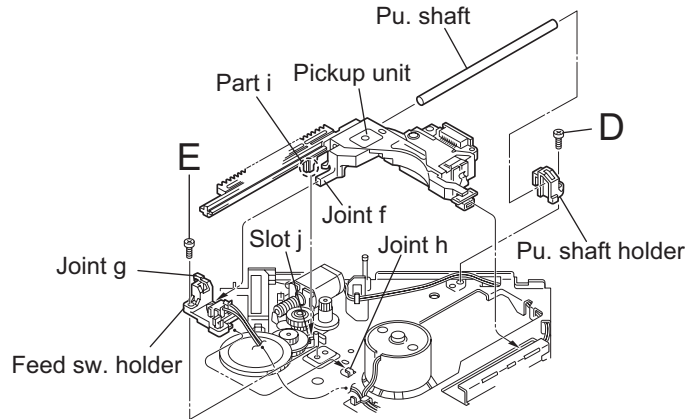


Fig.16

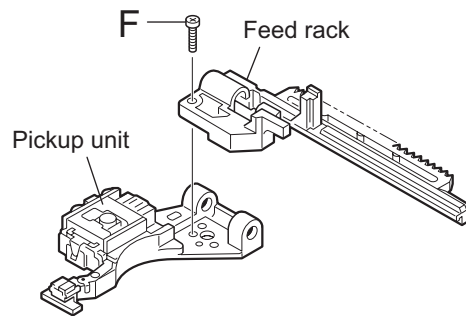


Fig.17

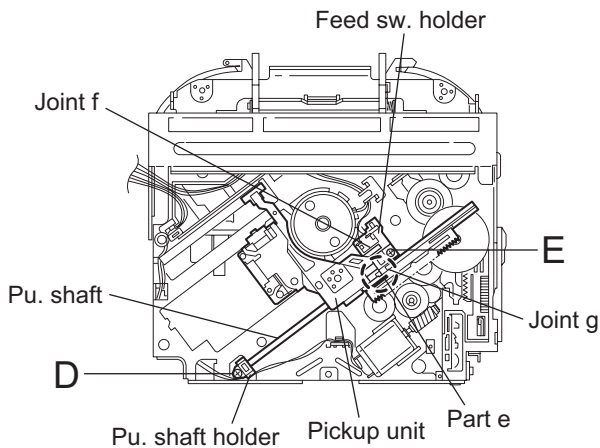


Fig.14

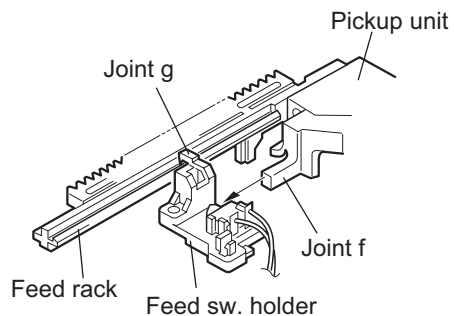


Fig.18

3.2.9 Removing the trigger arm (See Figs.19 and 20)

- Prior to performing the following procedure, remove the top cover, connector board and clasper unit.
 - (1) Turn the trigger arm in the direction of the arrow to release the joint **k** and pull out upward.

CAUTION:

When reassembling, insert the part **m** and **n** of the trigger arm into the part **p** and **q** at the slot of the chassis rivet assembly respectively and join the joint **k** at a time.

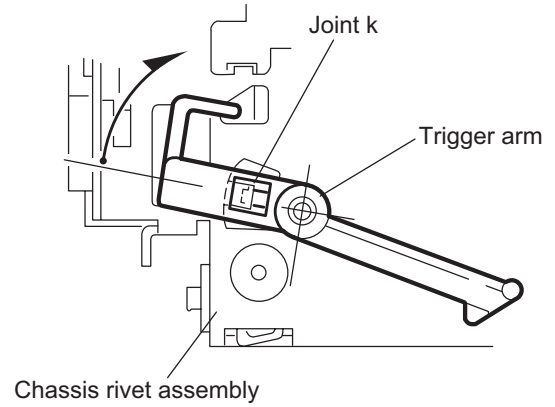


Fig.19

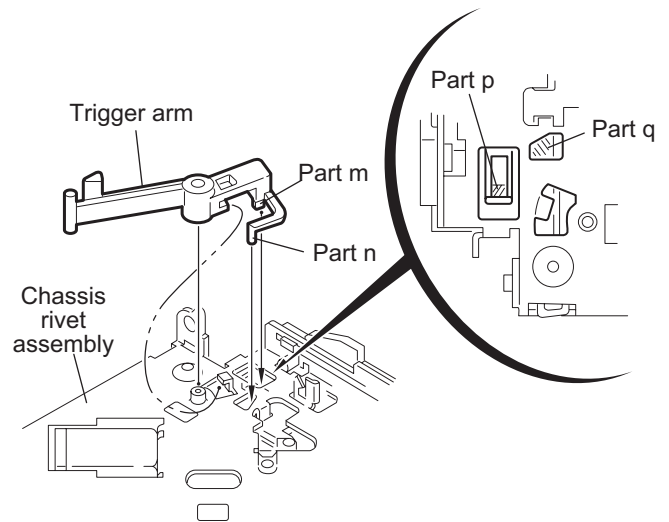


Fig.20

3.2.10 Removing the top plate assembly (See Fig.21)

- Prior to performing the following procedure, remove the top cover, connector board, chassis unit, and clasper assembly.
 - (1) Remove the screw **H**.
 - (2) Move the top plate assembly in the direction of the arrow to release the two joints **r**.
 - (3) Unsolder the wire marked **s** if necessary.

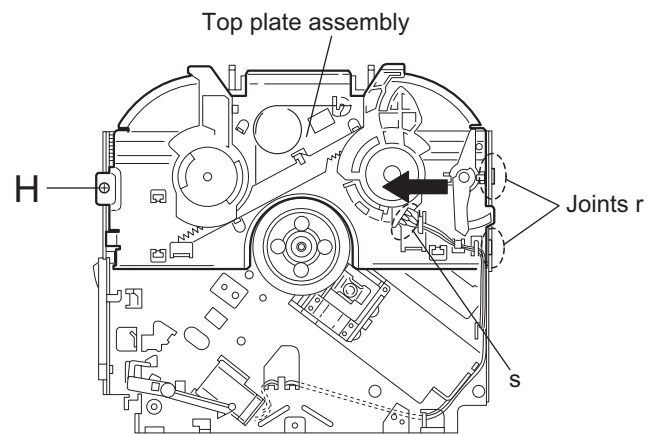


Fig.21

3.2.11 Removing the mode sw. / select lock arm (See Figs.22 and 23)

- Prior to performing the following procedure, remove the top plate assembly.
 - (1) Bring up the mode sw. to release from the link plate (joint **t**) and turn in the direction of the arrow to release the joint **u**.
 - (2) Unsolder the wire of the mode sw. marked **s** if necessary.
 - (3) Turn the select lock arm in the direction of the arrow to release the two joints **v**.
 - (4) The select lock arm spring comes off the select lock arm at the same time.

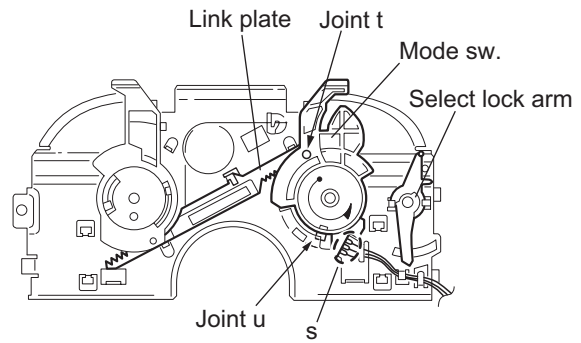


Fig.22

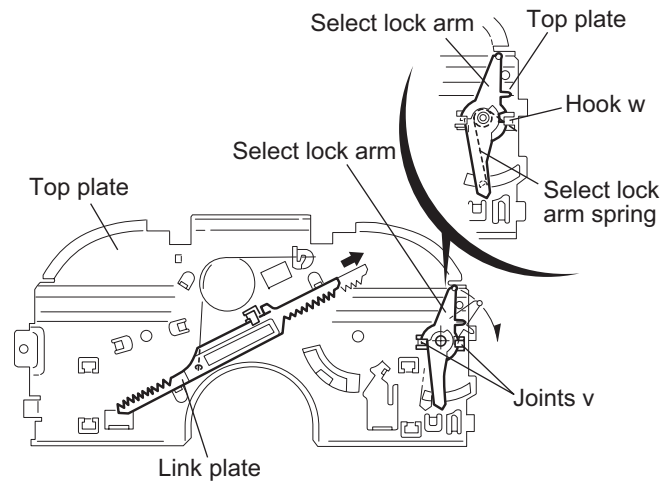


Fig.23

3.2.12 Reassembling the mode sw. / select lock arm (See Figs.24 to 26)

REFERENCE:

Reverse the above removing procedure.

- (1) Reattach the select lock arm spring to the top plate and set the shorter end of the select lock arm spring to the hook w on the top plate.
- (2) Set the other longer end of the select lock arm spring to the boss x on the underside of the select lock arm, and join the select lock arm to the slots (joint v). Turn the select lock arm as shown in the figure.
- (3) Reattach the mode sw. while setting the part t to the first peak of the link plate gear, and join the joint u.

CAUTION:

When reattaching the mode sw., check if the points y and z are correctly fitted and if each part operates properly.

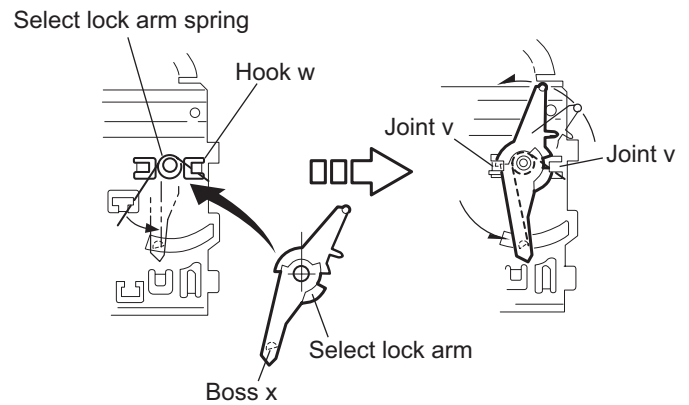


Fig.24

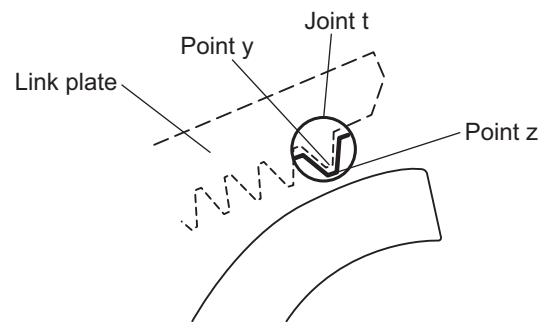


Fig.25

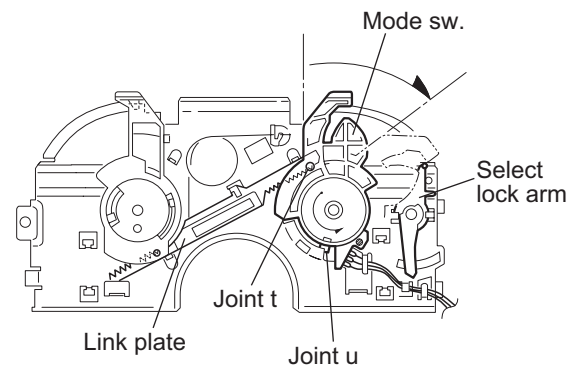


Fig.26

3.2.13 Removing the select arm R / link plate
(See Figs.27 and 28)

- Prior to performing the following procedure, remove the top plate assembly.

- (1) Bring up the select arm R to release from the link plate (joint a') and turn as shown in the figure to release the two joints b' and joint c'.
- (2) Move the link plate in the direction of the arrow to release the joint d'. Remove the link plate spring at the same time.

REFERENCE:

Before removing the link plate, remove the mode sw..

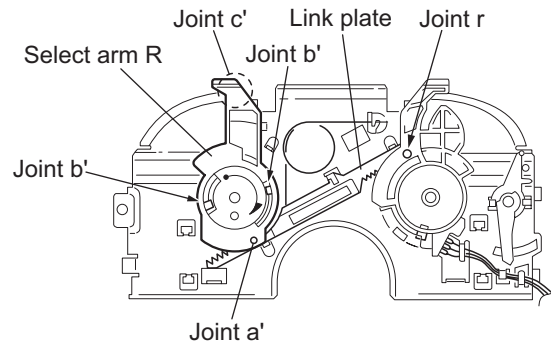


Fig.27

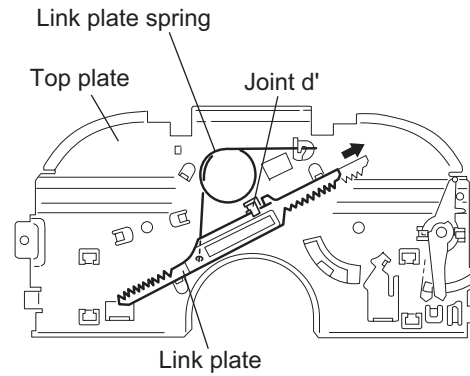


Fig.28

3.2.14 Reattaching the Select arm R / link plate
(See Figs.29 and 30)

REFERENCE:

Reverse the above removing procedure.

- (1) Reattach the link plate spring.
- (2) Reattach the link plate to the link plate spring while joining them at joint d'.
- (3) Reattach the joint a' of the select arm R to the first peak of the link plate while joining the two joints b' with the slots. Then turn the select arm R as shown in the figure. The top plate is joined to the joint c'.

CAUTION:

When reattaching the select arm R, check if the points e' and f' are correctly fitted and if each part operates properly.

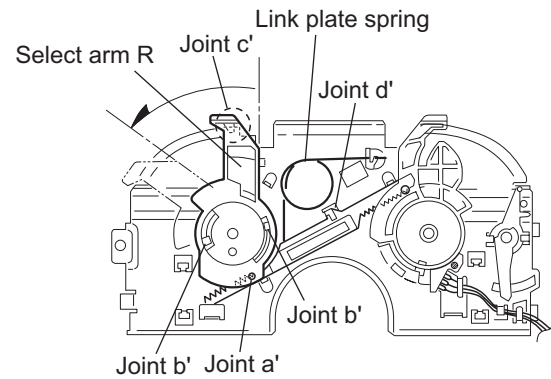


Fig.29

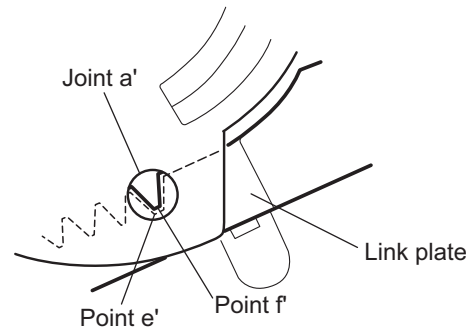


Fig.30

3.2.15 Removing the loading roller assembly
(See Figs.31 to 33)

- Prior to performing the following procedure, remove the clamper assembly and top plate assembly.
- (1) Push inward the loading roller assembly on the gear side and detach it upward from the slot of the joint **g'** of the lock arm rivet assembly.
- (2) Detach the loading roller assembly from the slot of the joint **h'** of the lock arm rivet assembly.

The roller guide comes off the gear section of the loading roller assembly.

Remove the roller guide and the HL washer from the shaft of the loading roller assembly.

- (3) Remove the screw **J** attaching the lock arm rivet assembly.
- (4) Push the shaft at the joint **i'** of the lock arm rivet assembly inward to release the lock arm rivet assembly from the slot of the L side plate.
- (5) Extend the lock arm rivet assembly outward and release the joint **j'** from the boss of the chassis rivet assembly. The roller guide springs on both sides come off at the same time.

CAUTION:

When reassembling, reattach the left and right roller guide springs to the lock arm rivet assembly before reattaching the lock arm rivet assembly to the chassis rivet assembly. Make sure to fit the part **k'** of the roller guide spring inside of the roller guide. (Refer to Fig.34.)

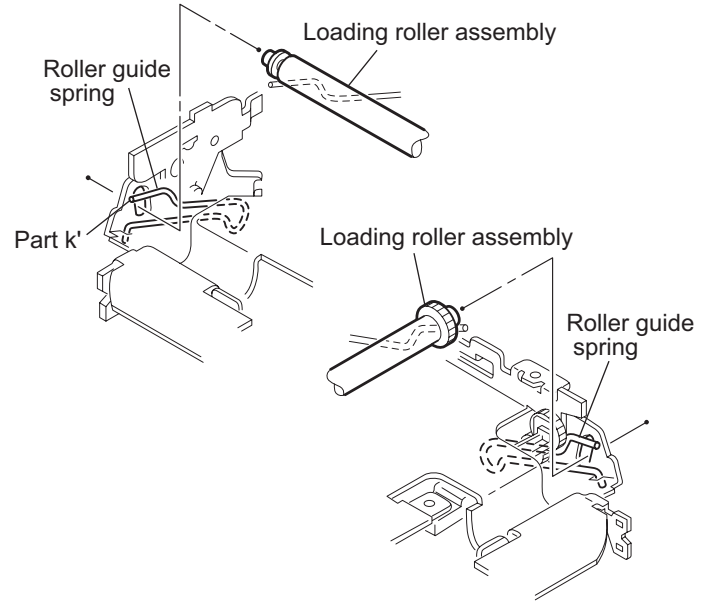


Fig.32

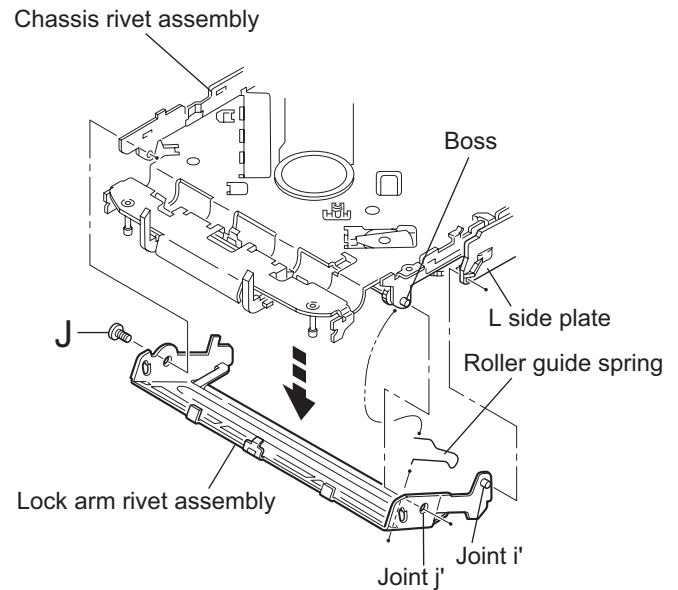


Fig.33

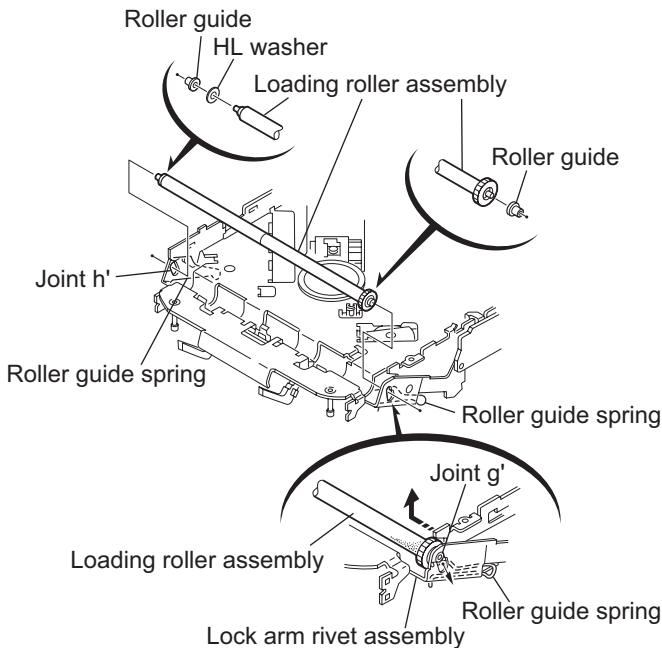


Fig.31

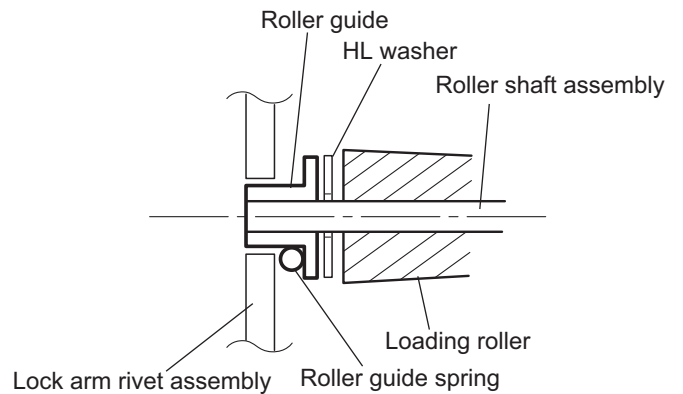


Fig.34

3.2.16 Removing the loading gear 5, 6 and 7 (See Figs.35 and 36)

- Prior to performing the following procedure, remove the top cover, chassis unit, pickup unit and top plate assembly.
 - (1) Remove the screw **K** attaching the loading gear bracket.
The loading gear 6 and 7 come off the loading gear bracket.
 - (2) Pull out the loading gear 5.

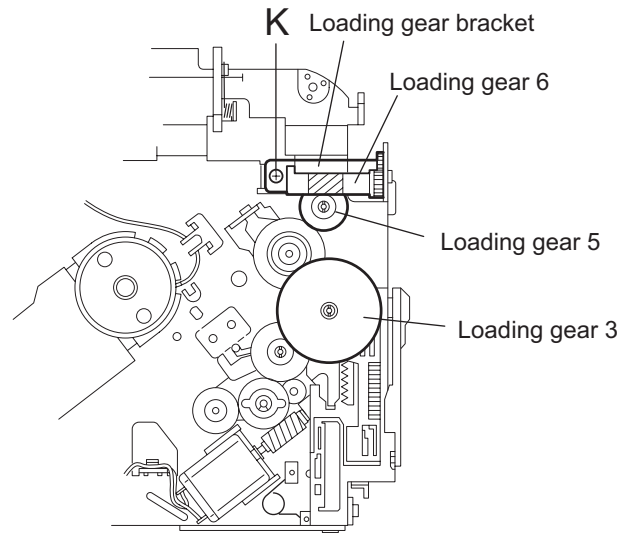


Fig.35

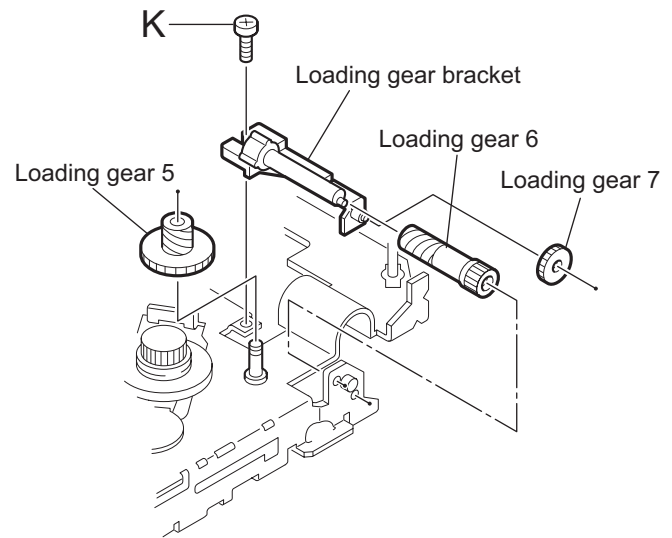


Fig.36

3.2.17 Removing the gears (See Figs.37 to 40)

- Prior to performing the following procedure, remove the top cover, chassis unit, top plate assembly and pickup unit.
- Pull out the loading gear 3. (See Fig.35.)
 - (1) Pull out the feed gear.
 - (2) Move the loading plate assembly in the direction of the arrow to release the L side plate from the two slots m' of the chassis rivet assembly. (See Fig.37.)
 - (3) Detach the loading plate assembly upward from the chassis rivet assembly while releasing the joint n'. Remove the slide hook and loading plate spring from the loading plate assembly.
 - (4) Pull out the loading gear 2 and remove the change lock lever.
 - (5) Remove the E ring and washer attaching the change gear 2.
 - (6) The change gear 2, change gear spring and adjusting washer come off.
 - (7) Remove the loading gear 1.
 - (8) Move the change plate rivet assembly in the direction of the arrow to release from the three shafts of the chassis rivet assembly upward. (See Fig.38.)
 - (9) Detach the loading gear plate rivet assembly from the shaft of the chassis rivet assembly upward while releasing the joint p'. (See Figs.38 and 40.)
 - (10) Pull out the loading gear 4.

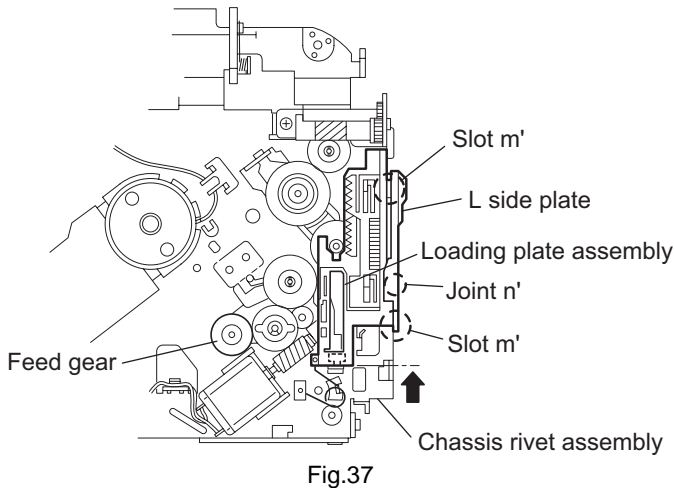


Fig.37

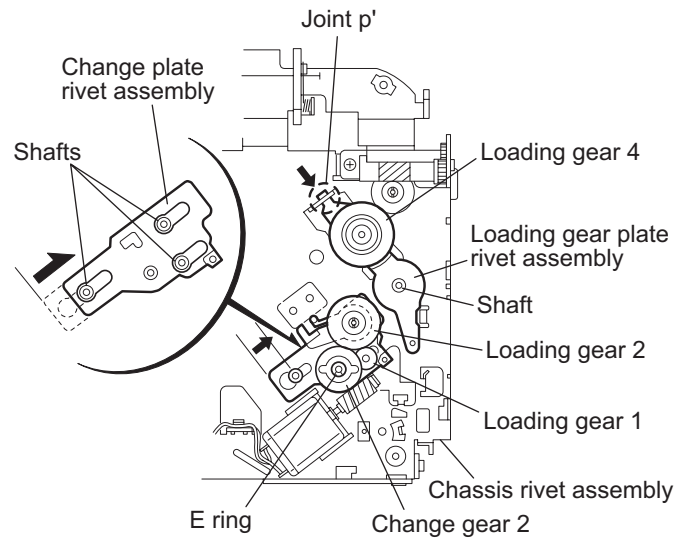


Fig.38

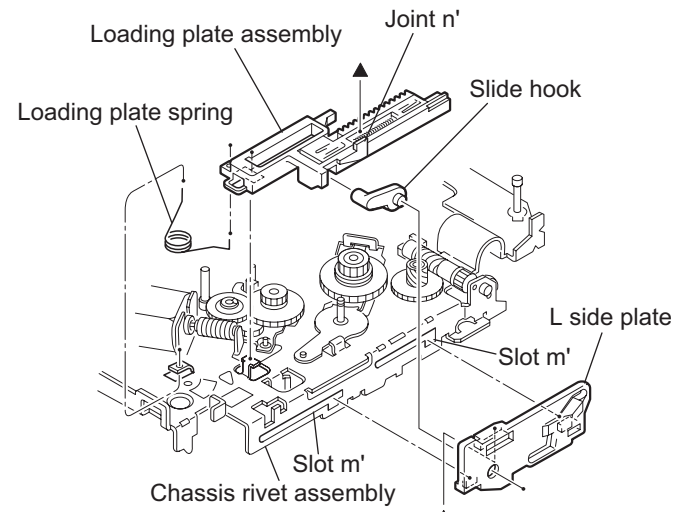


Fig.39

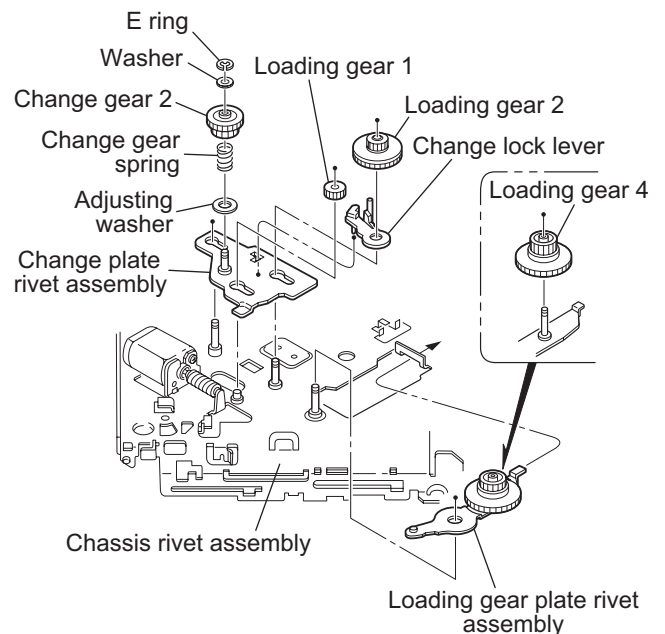
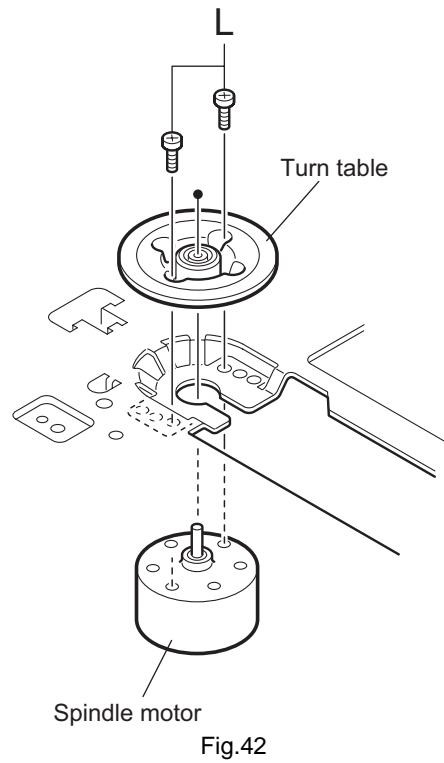
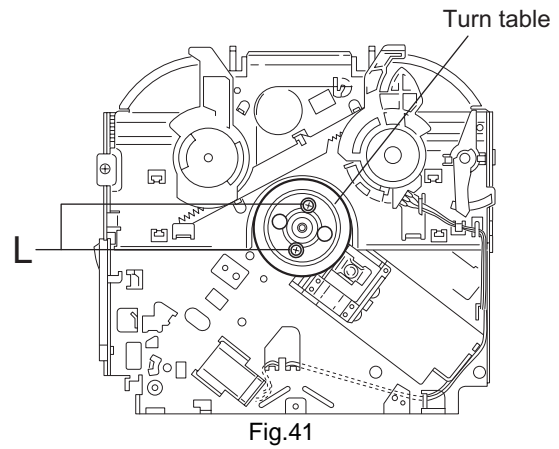


Fig.40

3.2.18 Removing the turn table / spindle motor (See Figs.41 and 42)

- Prior to performing the following procedure, remove the top cover, connector board, chassis unit and clasper assembly.
 - (1) Remove the two screws **L** attaching the spindle motor assembly through the slot of the turn table on top of the body.
 - (2) Unsolder the wire on the connector board if necessary.



SECTION 4 ADJUSTMENT

4.1 Adjustment method

■ Test instruments required for adjustment

- (1) Digital oscilloscope (100MHz)
- (2) AM Standard signal generator
- (3) FM Standard signal generator
- (4) Stereo modulator
- (5) Electric voltmeter
- (6) Digital tester
- (7) Tracking offset meter
- (8) Test Disc JVC :CTS-1000
- (9) Extension cable for check
EXTSH002-22P × 1

■ Standard volume position

Balance and Bass & Treble volume : Indication "0"
Loudness : OFF

■ How to connect the extension cable for adjusting

Caution:

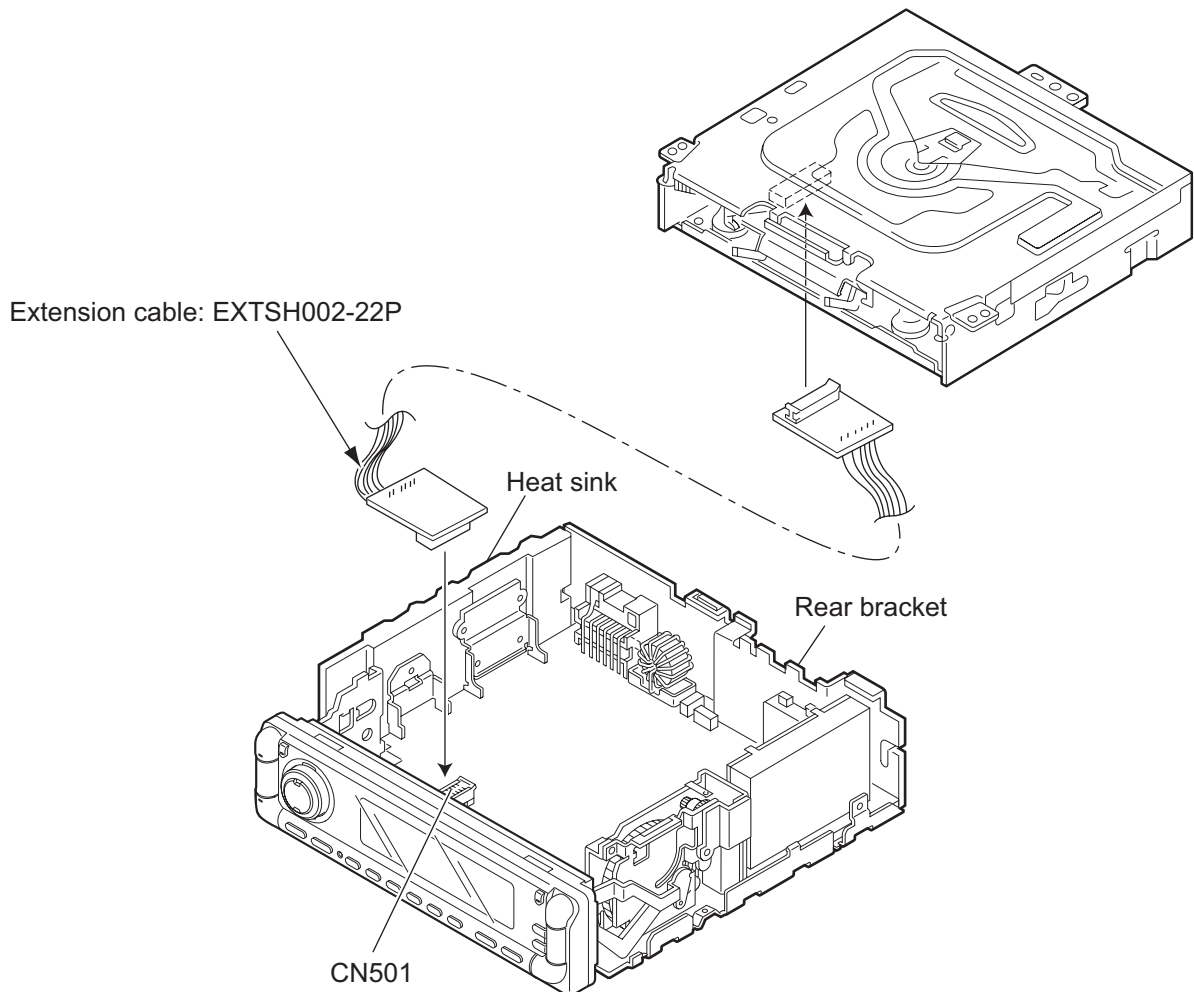
Be sure to attach the heat sink and rear bracket onto the power amplifier IC and regulator IC respectively, before supply the power. If voltage is applied without attaching these parts, the power amplifier IC and regulator IC will be destroyed by heat.

■ Standard measuring conditions

Power supply voltage	DC14.4V(10.5 to 16V)
Load impedance	20K Ω (2 Speakers connection)
Output Level	Line out 2.0V (Vol. MAX)

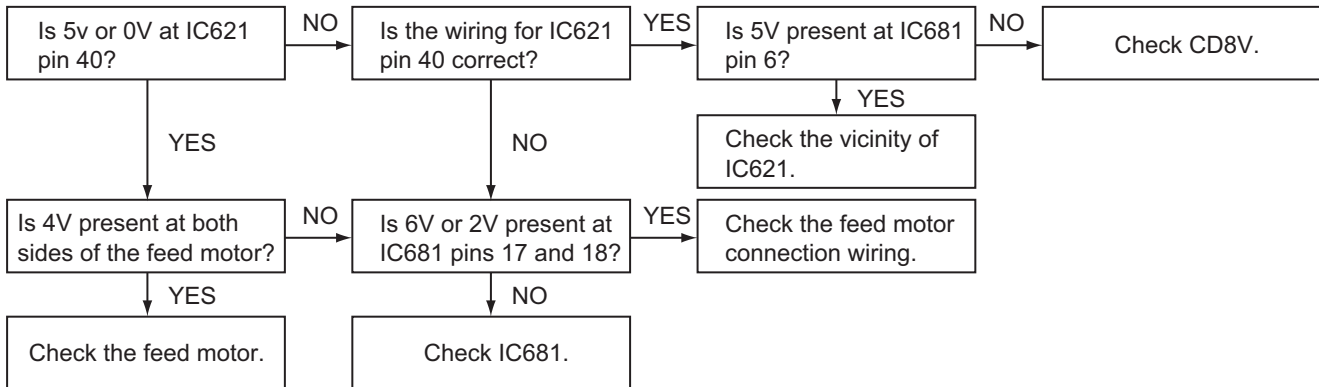
■ Dummy load

Exclusive dummy load should be used for AM, and FM. For FM dummy load, there is a loss of 6dB between SSG output and antenna input. The loss of 6dB need not be considered since direct reading of figures are applied in this working standard.

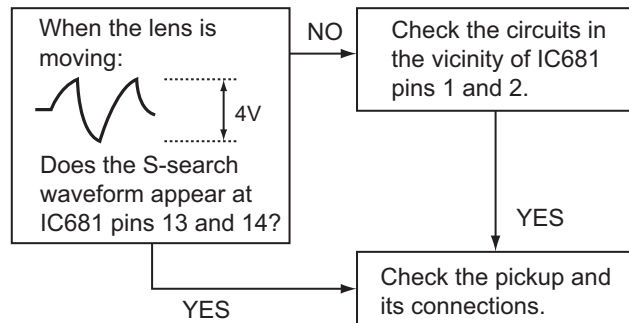


SECTION 5 TROUBLE SHOOTING

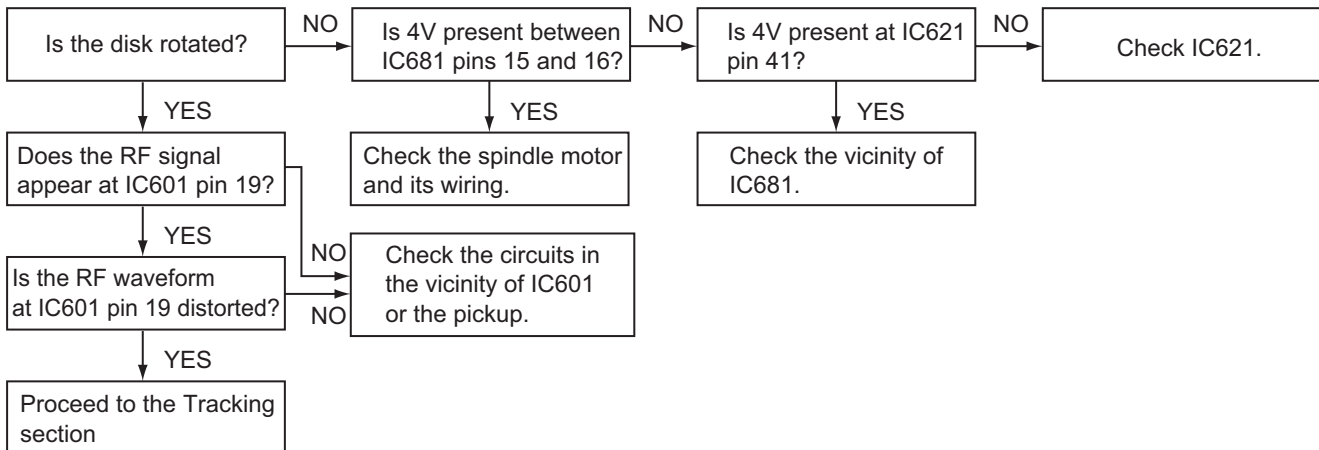
5.1 Feed section



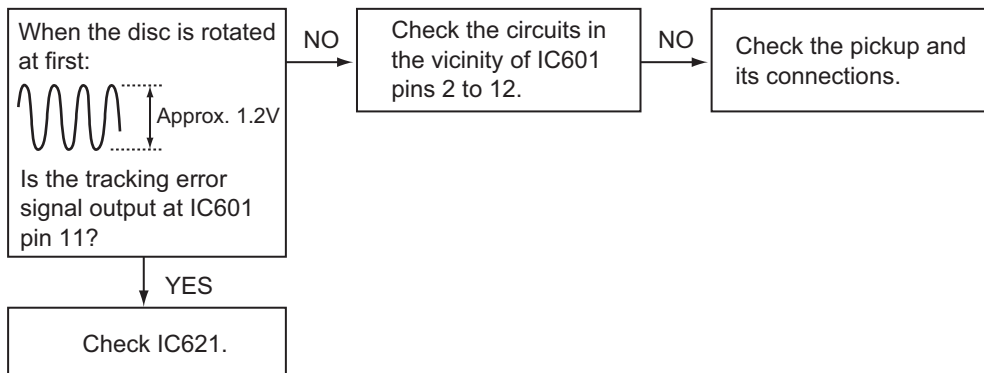
5.2 Focus section



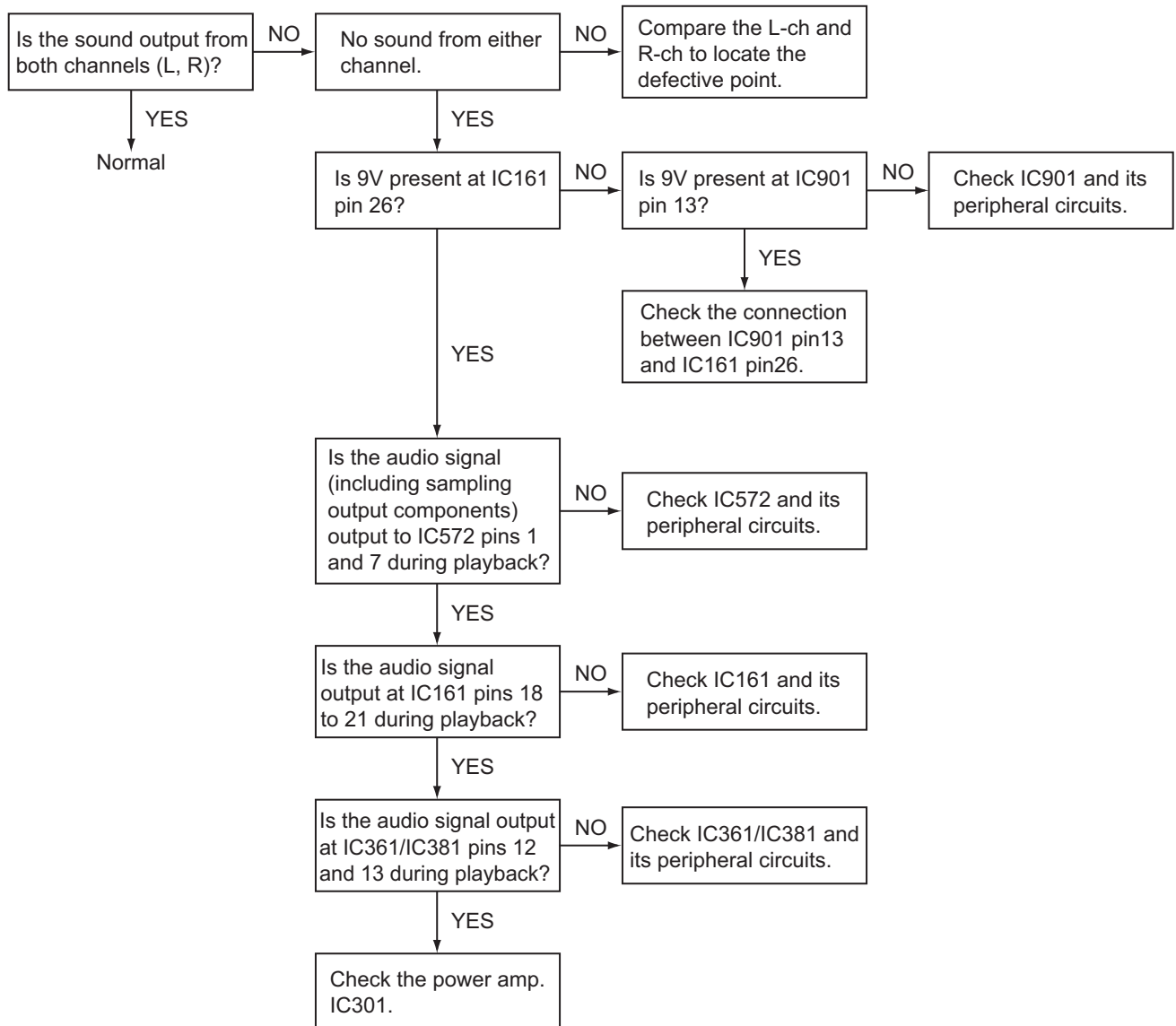
5.3 Spindle section



5.4 Tracking section



5.5 Signal processing section



5.6 Maintenance of laser pickup

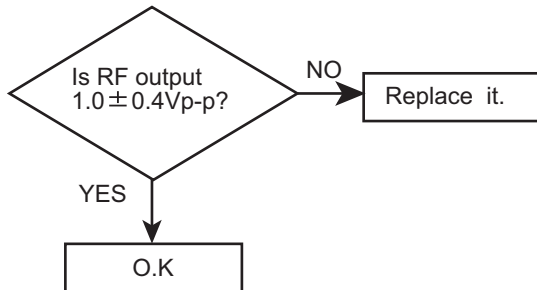
(1) Cleaning the pick up lens

Before you replace the pick up, please try to clean the lens with a alcohol soaked cotton swab.

(2) Life of the laser diode

When the life of the laser diode has expired, the following symptoms will appear.

- The level of RF output (EFM output: amplitude of eye pattern) will be low.

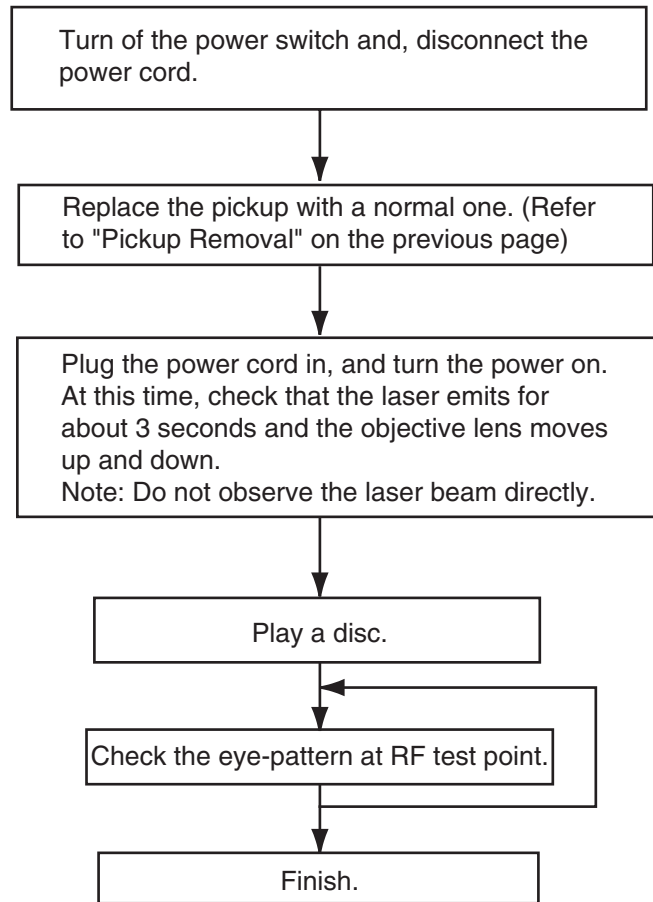


(3) Semi-fixed resistor on the APC PC board

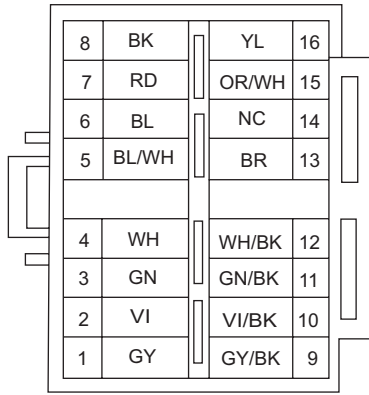
The semi-fixed resistor on the APC printed circuit board which is attached to the pickup is used to adjust the laser power. Since this adjustment should be performed to match the characteristics of the whole optical block, do not touch the semi-fixed resistor.

If the laser power is lower than the specified value, the laser diode is almost worn out, and the laser pickup should be replaced. If the semi-fixed resistor is adjusted while the pickup is functioning normally, the laser pickup may be damaged due to excessive current.

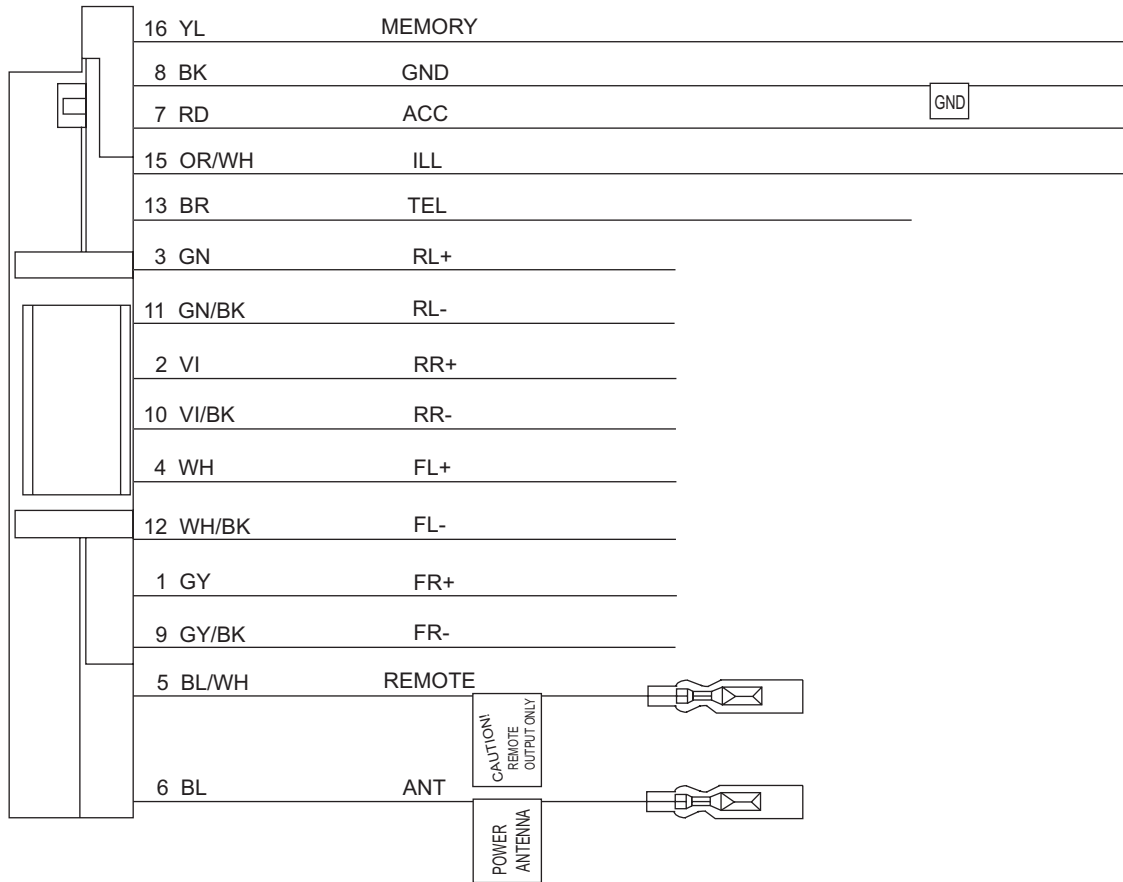
5.7 Replacement of laser pickup



5.8 16 PIN CORD DIAGRAM

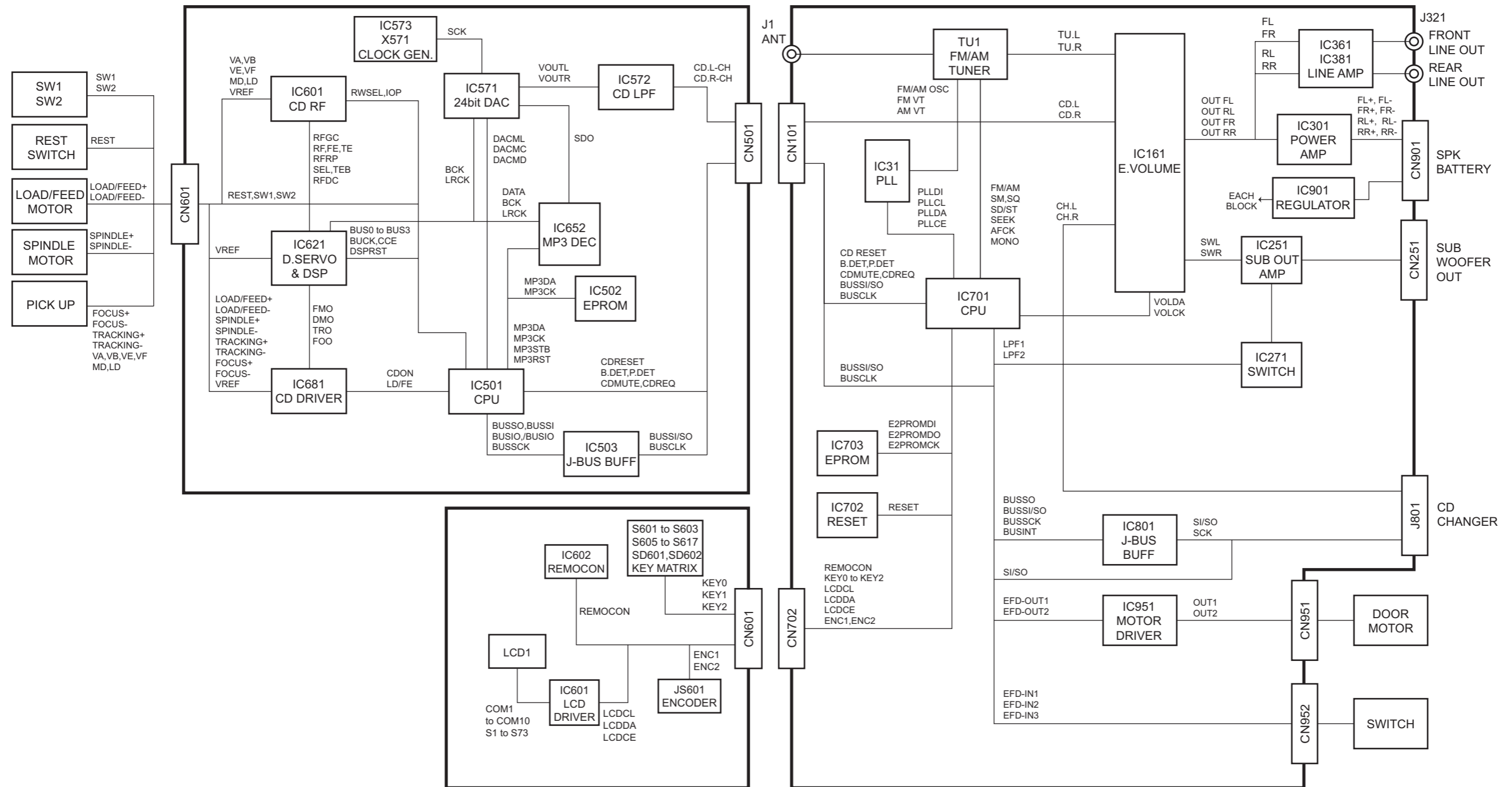


BK	Black	GN	Green
RD	Red	VI	Violet
BL	Blue	GY	Gray
WH	White	YL	Yellow
BR	Brown	OR	Orange



RR	Rear Right	ANT	Auto Antenna
FR	Front Right	ACC	ACC Line
FL	Front Left	ILL	Illuminations Control
RL	Rear Left	GND	Ground
REMOTE	Remote	MEMORY	Memory Backup Battery+
TEL	Telephone muting		

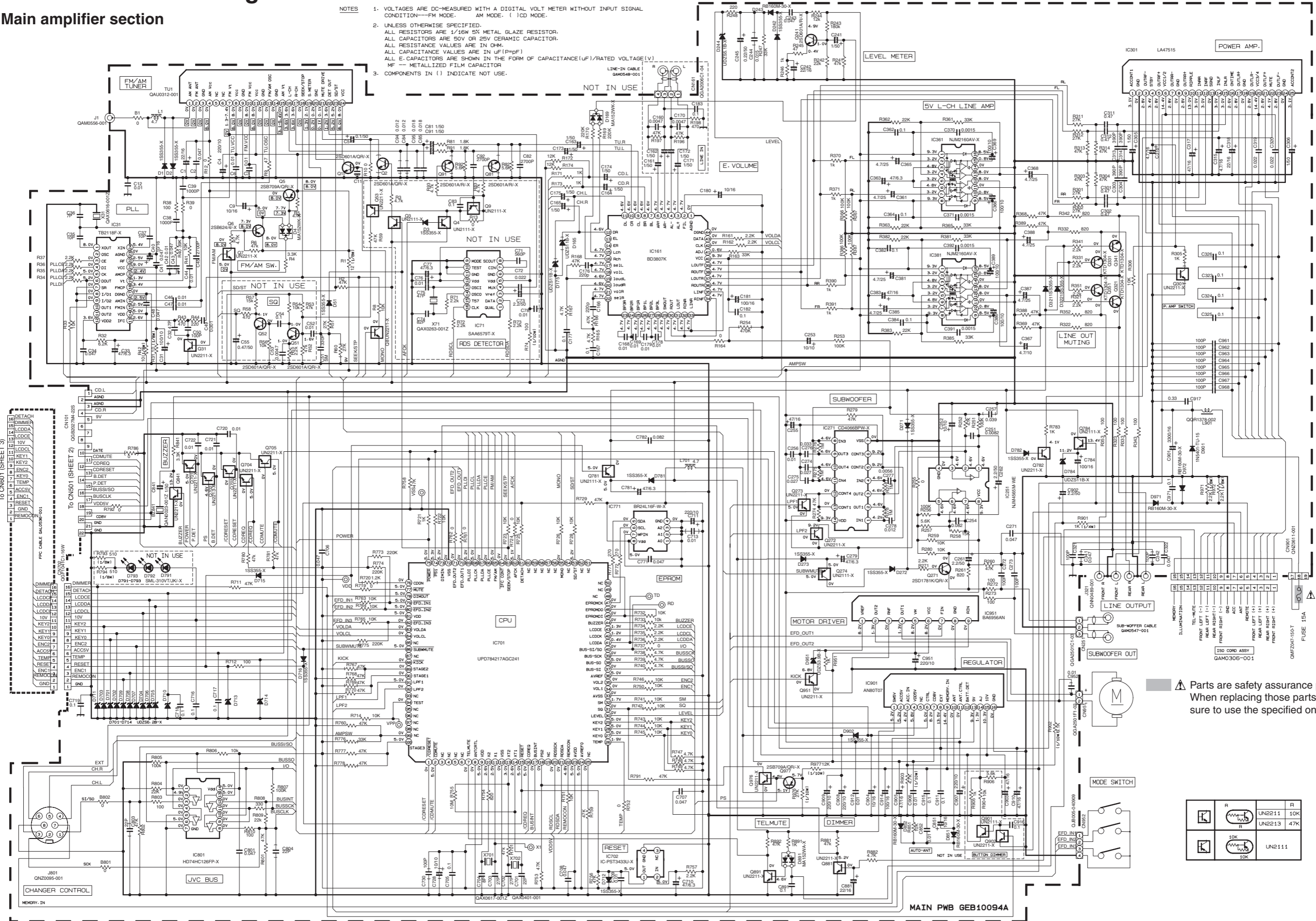
Block diagram



Standard schematic diagrams

■ Main amplifier section

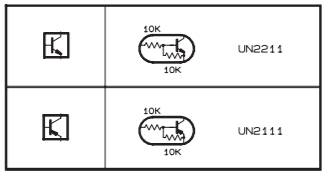
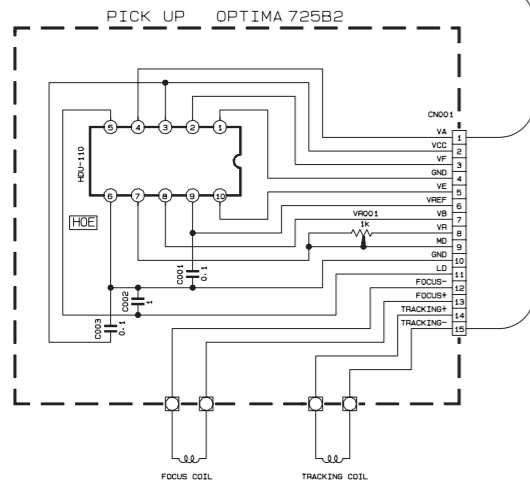
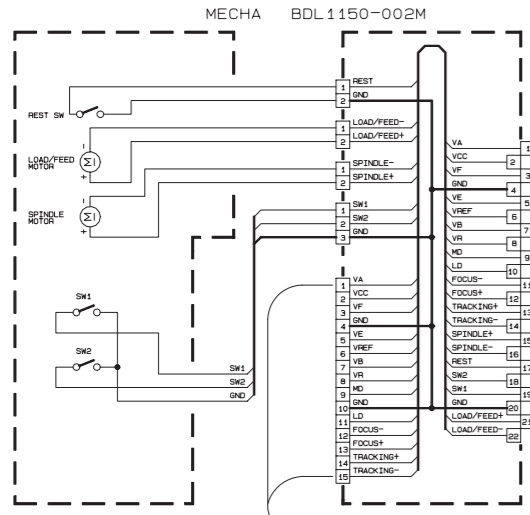
- NOTES
1. VOLTAGES ARE DC-MEASURED WITH A DIGITAL VOLT METER WITHOUT INPUT SIGNAL CONDITION—FM MODE. AM MODE. () CD MODE.
 2. UNLESS OTHERWISE SPECIFIED, ALL RESISTORS ARE 1/16W 5% METAL GLAZE RESISTOR. ALL CAPACITORS ARE 50V OR 25V CERAMIC CAPACITOR. ALL RESISTANCE VALUES ARE IN OHM. ALL CAPACITANCE VALUES ARE IN UF (pF). ALL E-CAPACITORS ARE SHOWN IN THE FORM OF CAPACITANCE(UF)/RATED VOLTAGE(V). MF—METALLIZED FILM CAPACITOR.
 3. COMPONENTS IN () INDICATE NOT USE.



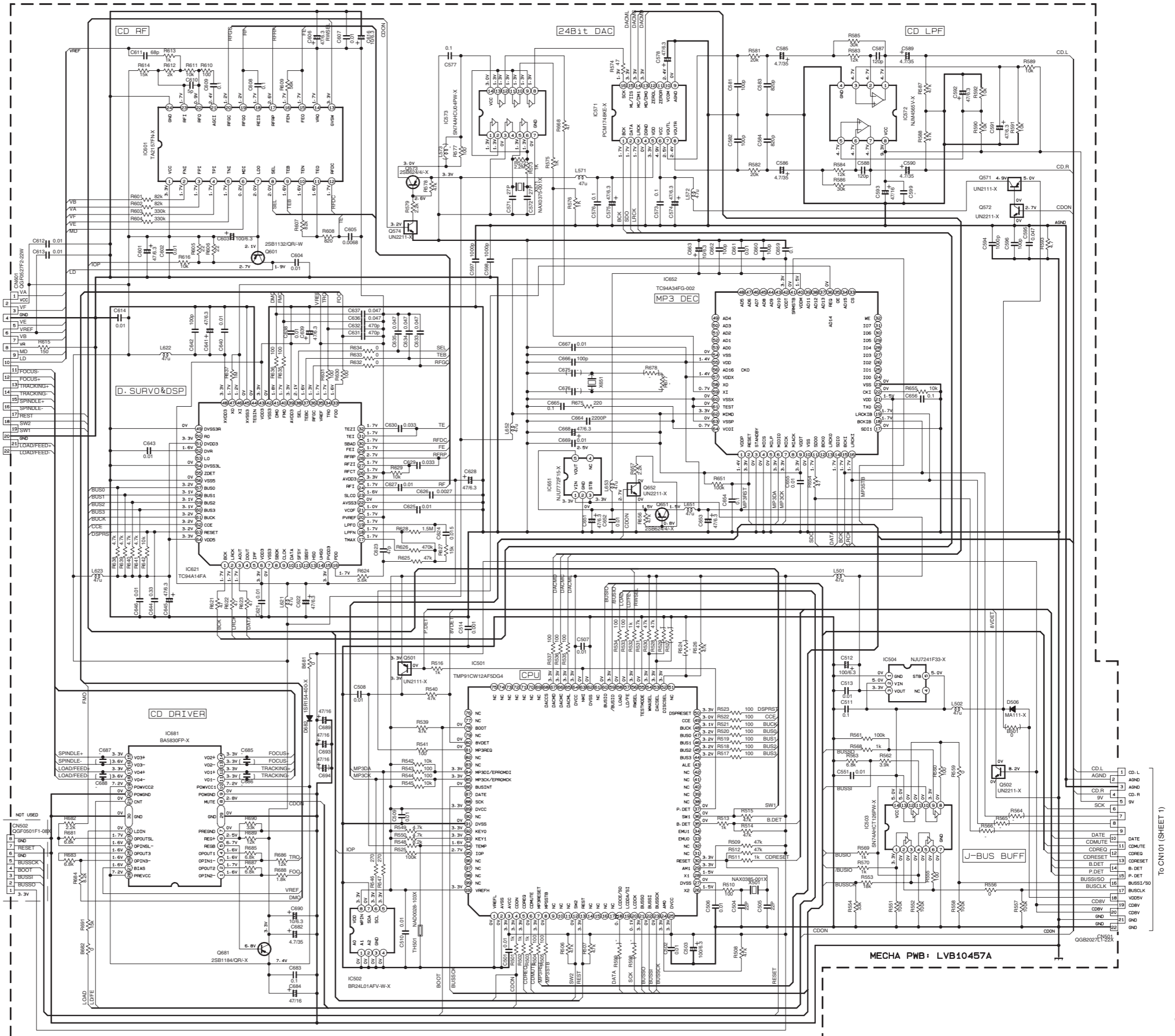
⚠ Parts are safety assurance parts. When replacing those parts make sure to use the specified one.

	R	UN2211	10K
	R	UN2213	47K
	R	UN2111	10K

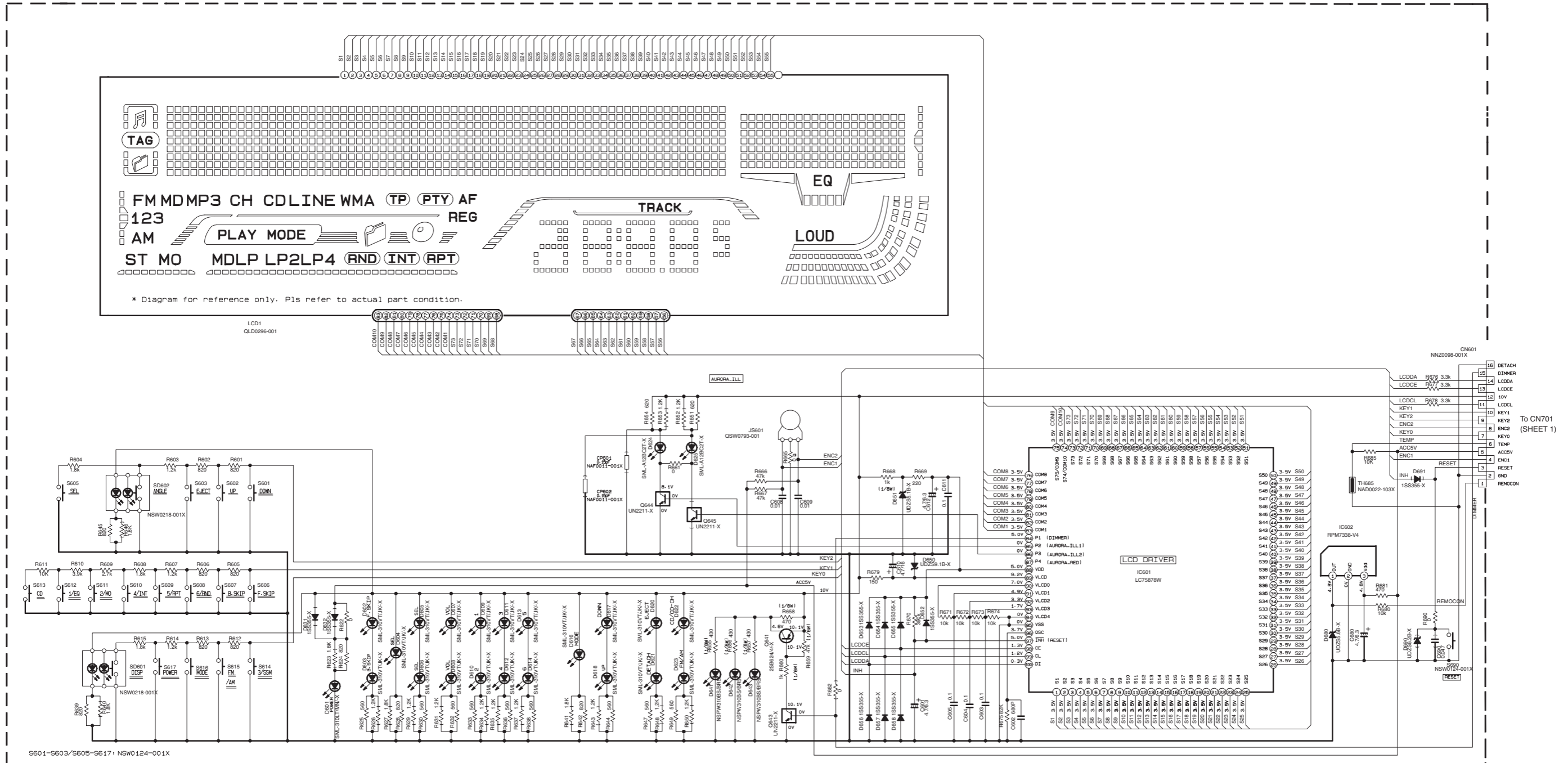
CD servo control section



- NOTES
- VOLTAGES ARE DC-MEASURED WITH A DIGITAL VOLT METER WITHOUT INPUT SIGNAL. CONDITION → CD MODE.
 - UNLESS OTHERWISE SPECIFIED, ALL RESISTORS ARE 1/16W OR 1/10W OR 1/8W ±5% METAL GLAZE RESISTOR. ALL CAPACITORS ARE 50V OR 25V OR 16V CERAMIC CAPACITOR OR 50V MYLAR CAPACITOR. ALL RESISTANCE VALUES ARE IN Ω(MΩ).
 - ALL CAPACITANCE VALUES ARE IN pF(pF).
 - ALL E. CAPACITORS ARE SHOWN IN THE FORM OF CAPACITANCE(μF)/RATED VOLTAGE (V).
 - COMPONENTS IN () INDICATE NOT USE.



■ LCD & Key control section



* Diagram for reference only. Pls refer to actual part condition.

LCD1
QLD0296-001

S601-S603/S605-S617 : NSW0124-001X

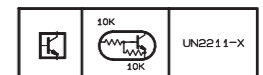
SW PWB GEB10102A (AgTh/Double reflow)

#NOTE

- SML-310LT/MN/-X --- RED LED (POWER)
- SML-310VT/JK/-X --- RED LED (OTHERS)
- SML-A12BC2T-X --- BLUE LED
- NSPW310BS/BRS/- --- WHITE LED
- R616-R619: 1/10W ±5% METAL GLAZE RESISTORS
- R623-R654: 1/10W ±5% METAL GLAZE RESISTORS

NOTES

1. VOLTAGES ARE DC-MEASURED WITH A DIGITAL VOLT METER WITHOUT INPUT SIGNAL CONDITION---CD MODE.
2. UNLESS OTHERWISE SPECIFIED:
ALL RESISTORS ARE 1/16W ±5% METAL GLAZE RESISTOR.
ALL CAPACITORS ARE 50V OR 25V CERAMIC CAPACITOR.
ALL RESISTANCE VALUES ARE IN OHM.
ALL CAPACITANCE VALUES ARE IN uF (p=pF).
ALL CAPACITORS ARE SHOWN IN THE FORM OF CAPACITANCE(uF/RATED VOLTAGE(V))
3. COMPONENTS IN () OR [] ARE NOT USED.

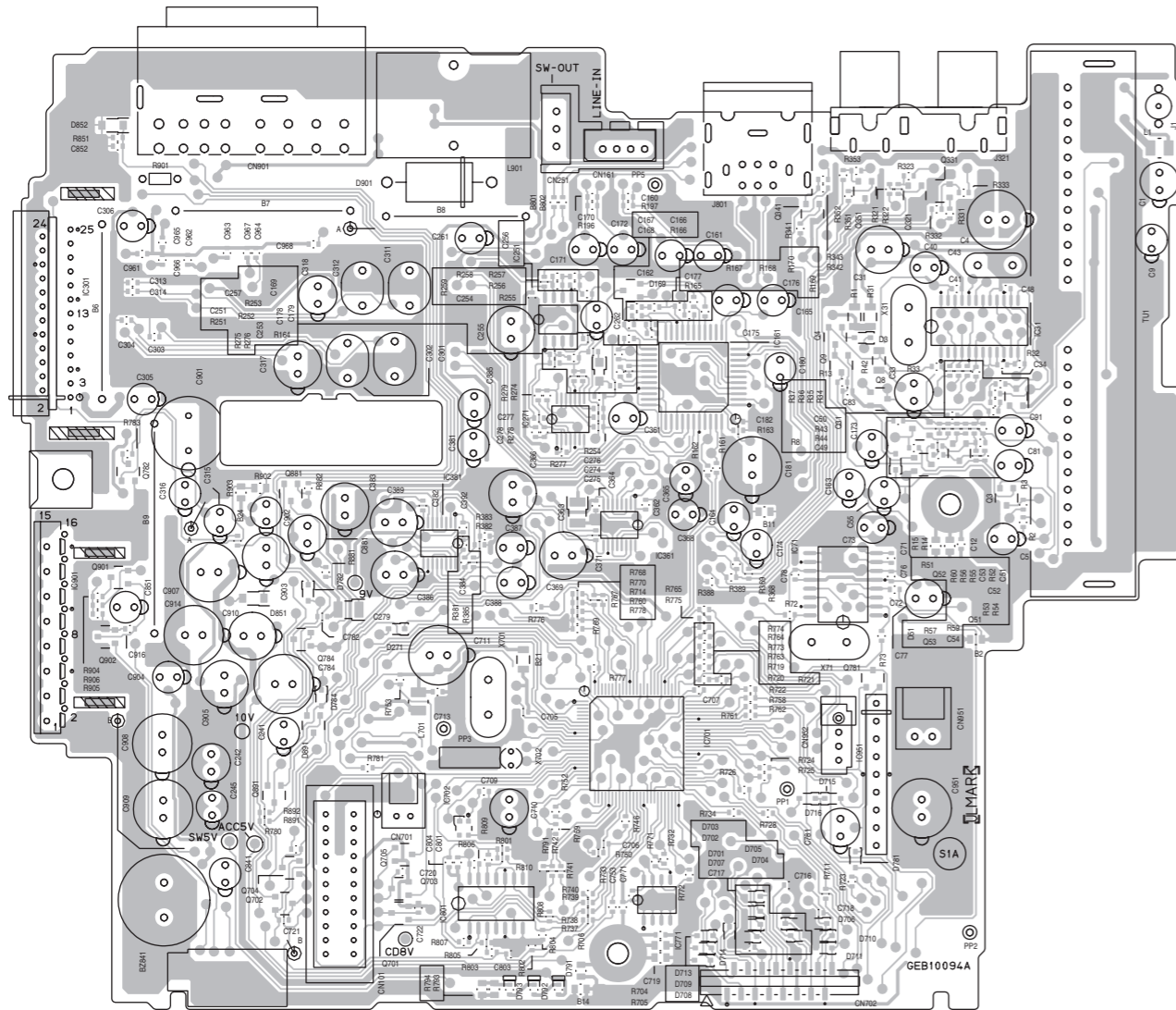


To CN701
(SHEET 1)

Printed circuit boards

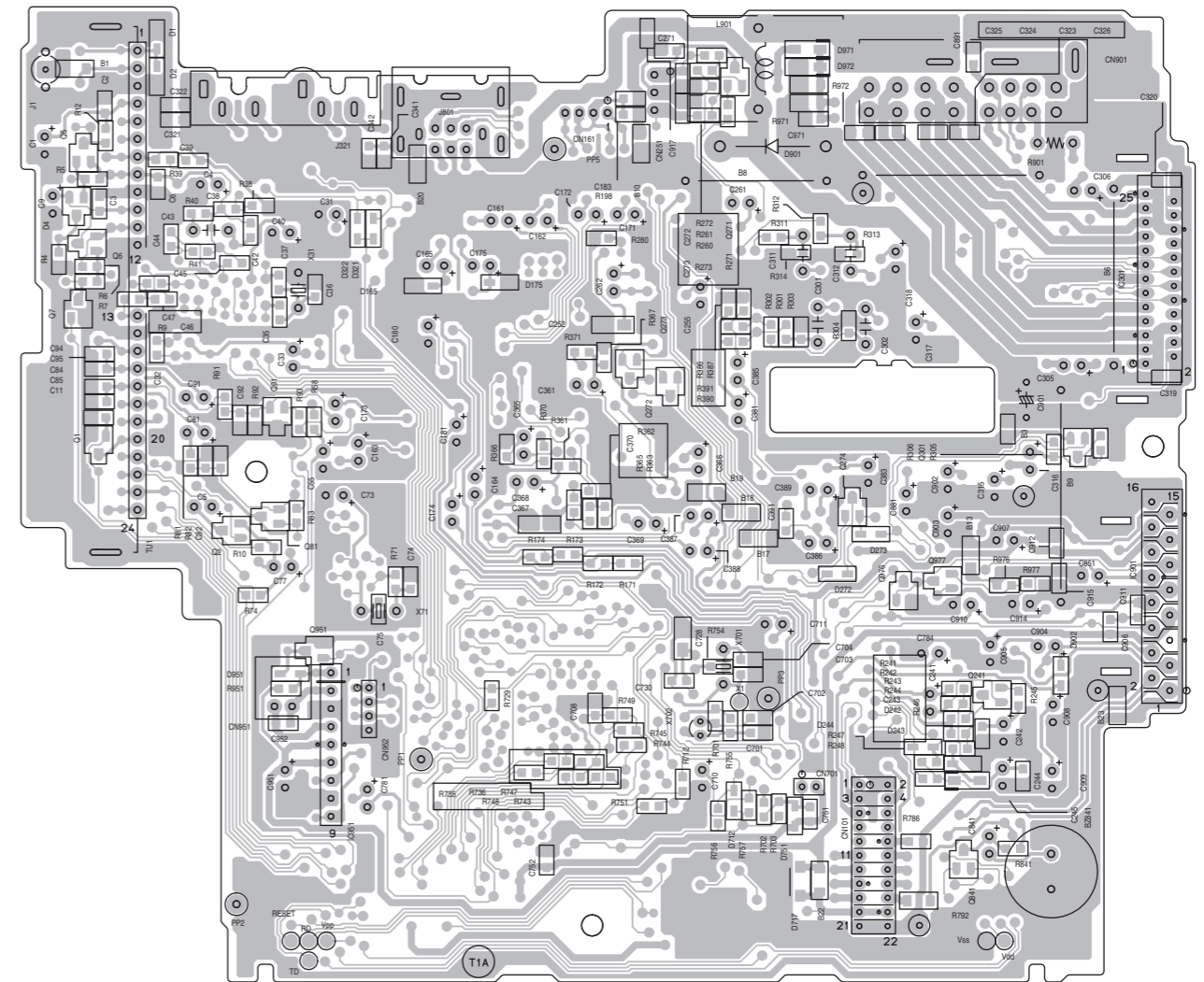
■ Main board

Forward side



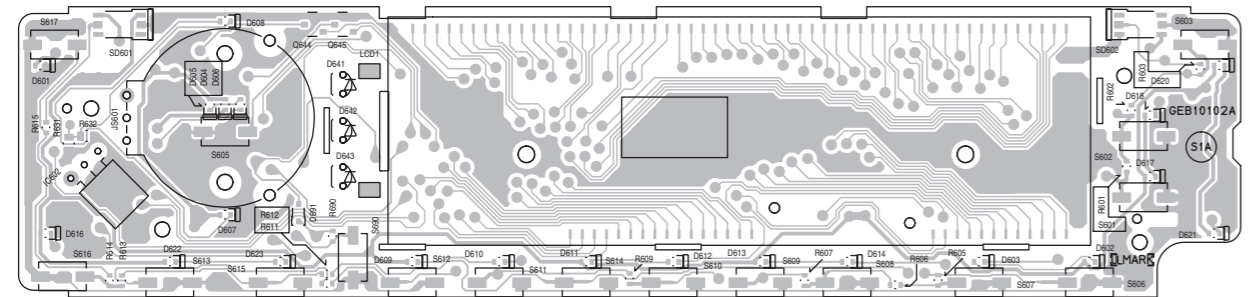
■ Main board

Reverse side



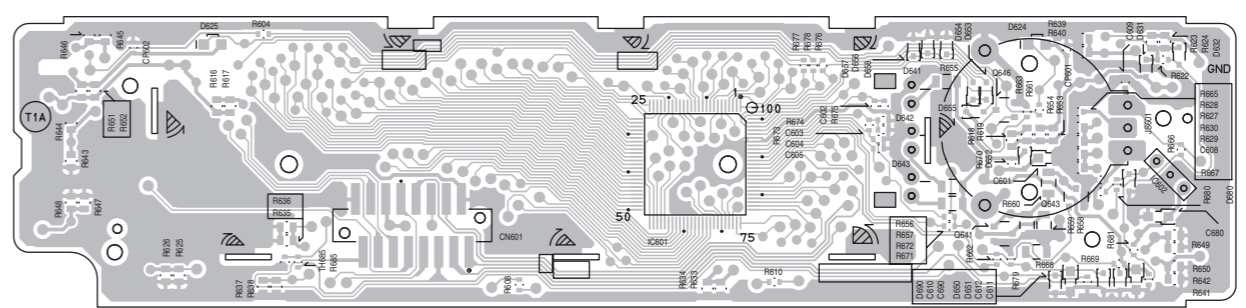
■ Front board

Forward side



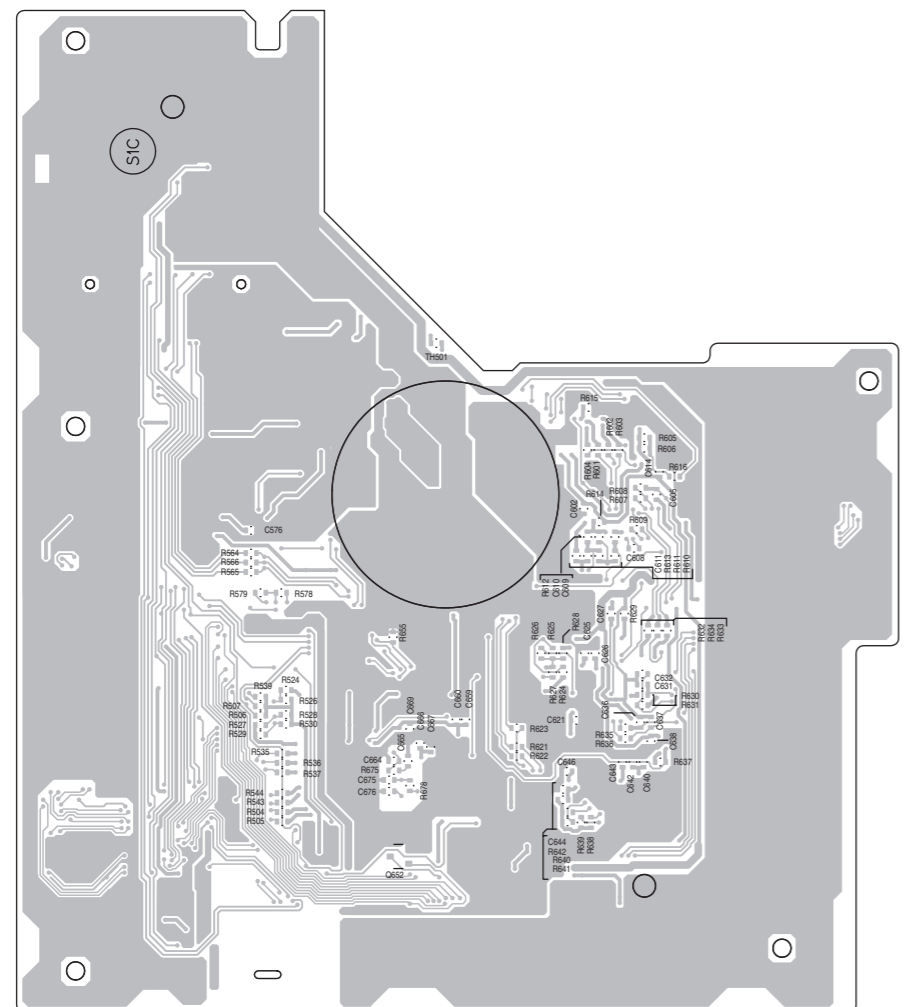
■ Front board

Reverse side



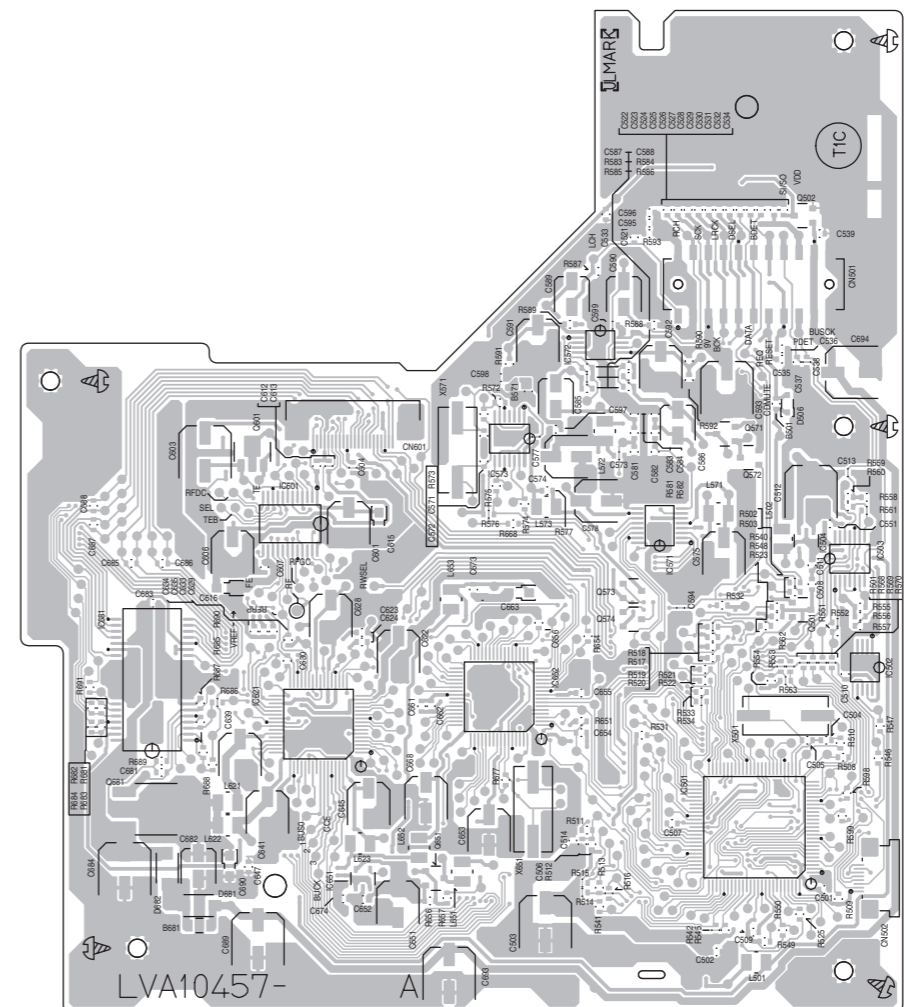
■ Mecha control board

Forward side



■ Mecha control board

Reverse side



PARTS LIST

[KD-G805]

* All printed circuit boards and its assemblies are not available as service parts.

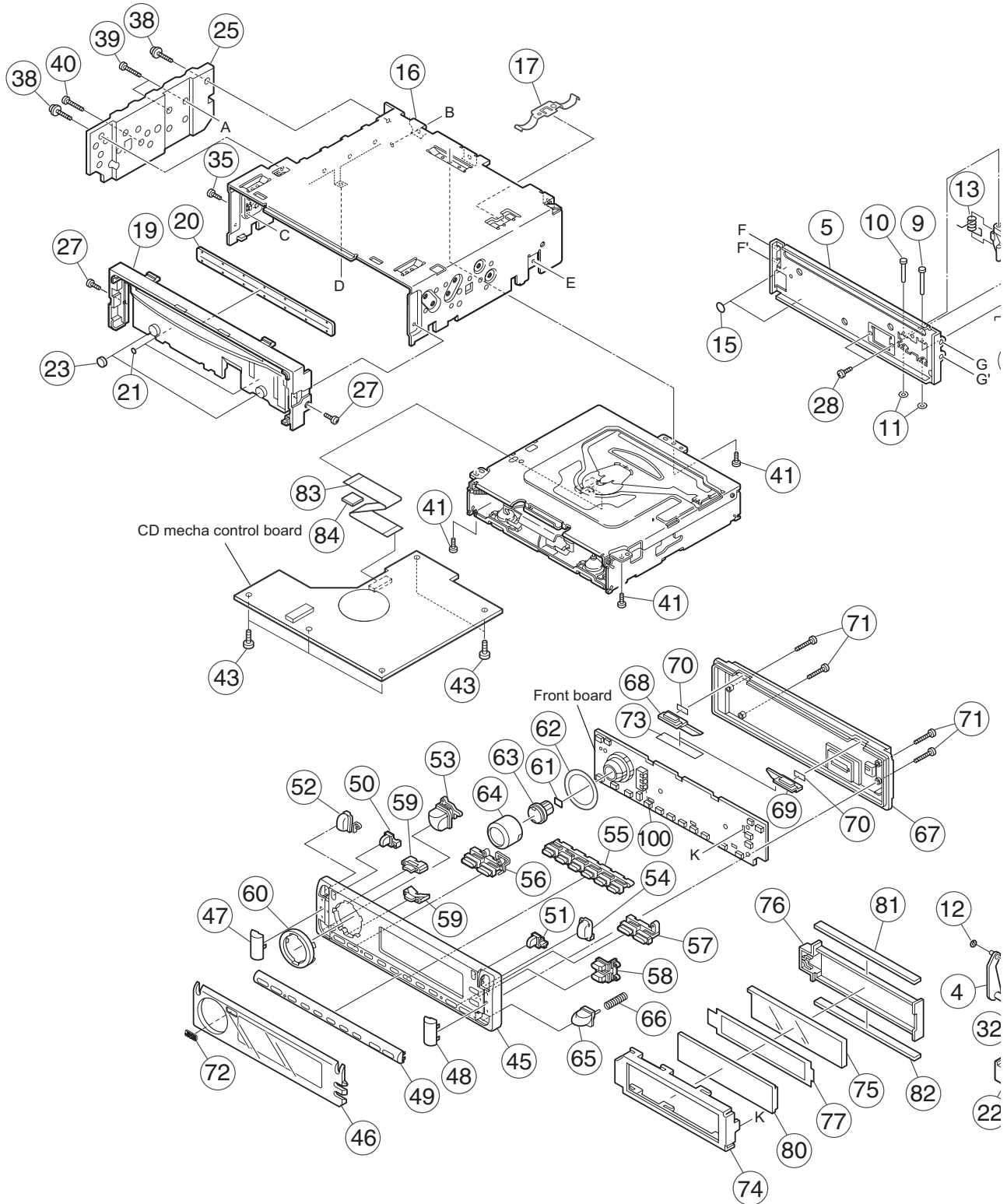
Area suffix
U ----- Other Areas

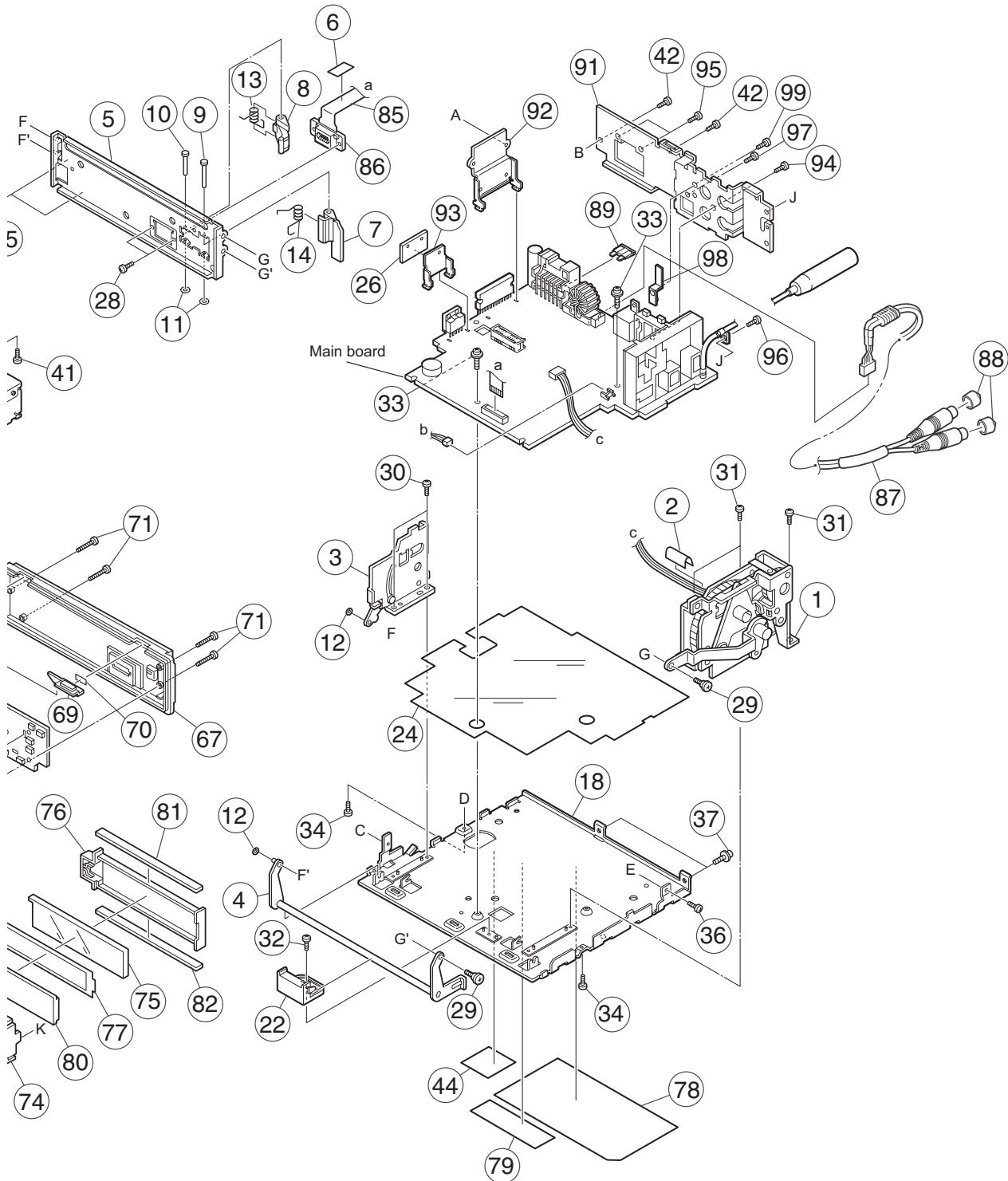
- Contents -

Exploded view of general assembly and parts list (Block No.M1)	3- 2
CD mechanism assembly and parts list (Block No.MB)	3- 5
Electrical parts list (Block No.01~03)	3- 7
Packing materials and accessories parts list (Block No.M3).....	3-14

Exploded view of general assembly and parts list

Block No. **M 1 M M**





General Assembly

Block No. [M][1][M][M]

Symbol No.	Part No.	Part Name	Description	Local
1	GE20156-001A	GEAR BKT UNIT		
2	FSYH4036-100	SHEET		
3	GE30968-001A	LEVER BKT UNIT		
4	GE30964-001A	LOWER LEVER ASS		
5	GE30975-001A	FRONT BKT ASSY		
6	FSYH4036-100	SHEET		
7	GE30972-001A	DETACH LEVER		
8	GE30973-001A	KICK LEVER		
9	GE40192-001A	SHAFT		
10	GE40193-001A	SHAFT		
11	WDL123525	WASHER	(x2)	
12	WDL215025	WASHER	(x2)	
13	GE40194-001A	T SPRING		
14	GE40195-002A	T.SPRING		
15	GE40218-009A	SHEET	(x2)	
16	GE10073-004A	TOP CHASSIS		
17	GE40135-001A	EARTH PLATE		
18	GE10074-001A	BOTTOM CHASSIS		
19	GE10075-001A	FRONT CHASSIS		
20	GE40156-001A	BLIND		
21	GE40224-001A	MIRROR SHEET	(x2)	
22	GE30974-001A	FPC GUIDE		
23	GE40196-001A	ABSORBER	(x2)	
24	GE31204-003A	INSULATOR		
25	GE31206-002A	HEAT SINK		
26	GE40107-002A	HEAT SINK		
27	QYSPSP2003M	SCREW	2mm x 3mm(x2)	
28	QYSPSTU2040M	TAP SCREW	M2 x 4mm(x2)	
29	LV42181-002A	SPECIAL SCREW	(x2)	
30	LV40865-001A	MINI SCREW	(x2)	
31	LV40865-001A	MINI SCREW	(x3)	
32	LV40865-001A	MINI SCREW		
33	LV41200-001A	SPECIAL SCREW	(x2)	
34	QYSDST2606Z	SCREW	2.6mm x 6mm(x2)	
35	QYSDST2604Z	SCREW	2.6mm x 4mm	
36	QYSDST2604Z	SCREW	2.6mm x 4mm	
37	LV41200-001A	SPECIAL SCREW	(x2)	
38	FSKZ4005-002	SCREW	(x2)	
39	QYSDST2610Z	SCREW	2.6mm x 10mm(x2)	
40	QYSDST2610Z	SCREW	2.6mm x 10mm	
41	QYSDST2604Z	SCREW	2.6mm x 4mm(x3)	
42	QYSDST2604Z	SCREW	2.6mm x 4mm(x2)	
43	QYSDST2004Z	SCREW	2mm x 4mm(x5)	
44	GE40218-011A	SHEET		
45	GE10084-001A	FRONT PANEL		
46	GE31184-004A	FINDER ASSY		
47	GE31199-001A	COVER PLATE L		
48	GE31218-001A	COVER PLATE R		
49	GE31198-001A	COVER PLATE B		
50	GE31189-001A	DISPLAY BUTTON		
51	GE31190-001A	ANGLE BUTTON		
52	GE31185-001A	POWER BUTTON		
53	GE31186-001A	MODE BUTTON		
54	GE31187-001A	EJECT BUTTON		
55	GE20166-001A	PRESET BUTTON		
56	GE31191-001A	D FUNC BUTTON		
57	GE31192-001A	SEARCH BUTTON		
58	GE31193-001A	UP/DOWN BUTTON		
59	GE31197-001A	RIM LENS	(x2)	
60	GE31196-001A	RIM COVER		
61	FSYH4036-032	SHEET		
62	GE40218-002A	SHEET		
63	GE31195-002A	SEL BUTTON		
64	GE31194-001A	KNOB		
65	GE31188-001A	DETACH BUTTON		
66	FSKW3002-012	COMP.SPRING		
67	GE10085-001A	REAR COVER		
68	GE40211-001A	REAR LENS (L)		
69	GE40216-001A	REAR LENS (R)		
70	GE40218-010A	SHEET	(x2)	
71	VKZ4777-001	MINI SCREW	(x4)	
72	GE40204-001A	JVC BADGE		
73	GE40218-005A	SHEET	(x2)	
74	GE31201-002A	LCD CASE		

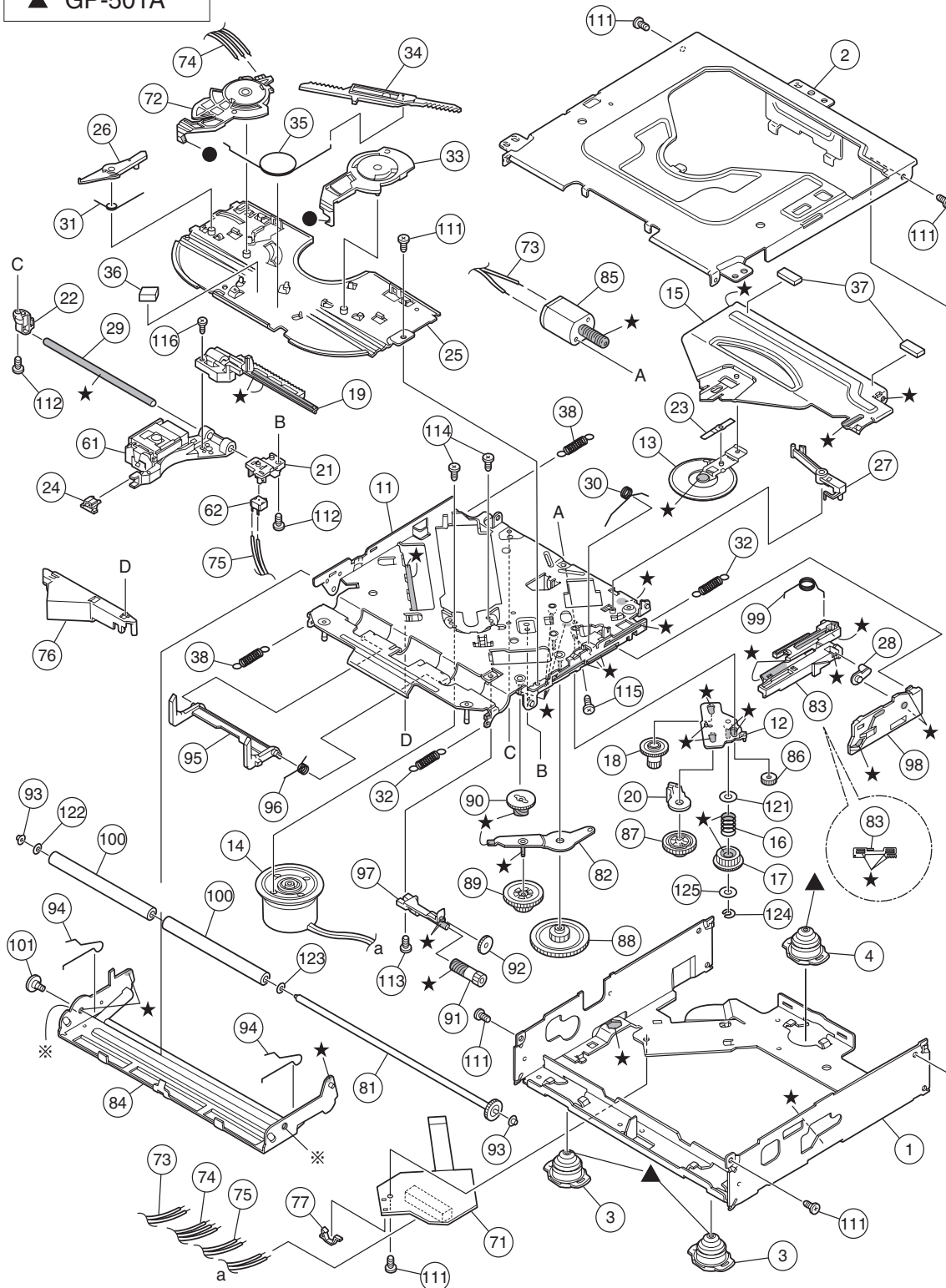
Symbol No.	Part No.	Part Name	Description	Local
75	GE31036-001A	LCD LENS		
76	GE31037-001A	LENS CASE		
77	GE40200-002A	LIGHTING SHEET		
78	GE31145-002A	NAME PLATE		
79	LV41843-002A	LASER CAUTION		
80	QLD0296-001	LCD MODULE		
81	QNZ0442-001	LCD CONNECTOR		
82	QNZ0442-001	LCD CONNECTOR		
83	QUQ105-2207AE	FFC WIRE		
84	VYSH101-009	SPACER		
85	QAL0536-001	FPC CABLE		
86	QNZ0664-001	CAR CONNECTOR		
87	QAM0547-001	SUBWOOFER CABEL		
88	VYTA500-001	PIN CAP	(x2)	
△ 89	QMFZ047-150-T	FUSE	15A	
91	GE31205-003A	REAR BRACKET		
92	GE40207-001A	POWER IC BKT		
93	GE40208-001A	REG IC BKT		
94	QYSDSF2606Z	SCREW	2.6mm x 6mm	
95	QYSDSF2606Z	SCREW	2.6mm x 6mm(x2)	
96	QYSDST2604Z	SCREW	2.6mm x 4mm	
97	QYSDST2606Z	SCREW	2.6mm x 6mm	
98	GE40214-001A	WIRE HOLDER		
99	QYSDST2604Z	SCREW	2.6mm x 4mm	
100	FSKS3017-002	LED HOLDER		

CD mechanism assembly and parts list

- Grease
- ★ TNG-87
 - ※ GP-501MK
 - CFD-005Z
 - ▲ GP-501A

TN-2001-1013

Block No. M B M M



CD mechanism

Block No. [M][B][M][M]

Symbol No.	Part No.	Part Name	Description	Local
1	30320101T	FRAME		
2	30320102T	TOP COVER		
3	30320115T	DANPER F	(x2)	
4	30320116T	DANPER R		
11	303205505T	CHASSIS RIVET		
12	303205503T	CHANGE P. RVT A		
13	303205301T	CLAMPER ASSY		
14	303205302T	SPINDLE MOTOR A		
15	30320502T	CLAMPER ARM		
16	30320503T	CHANGE GEAR SPG		
17	30320505T	CHANGE GEAR 2		
18	30320506T	FEED GEAR		
19	30320507T	FEED RACK		
20	30320509T	CHANGE LOCK RAR		
21	30320510T	FEED SW HOLDER		
22	30320511T	PU SHAFT HOLDER		
23	30320513T	CLAMPER SUB SPG		
24	30320514T	FD SUB HOLDER		
25	30320518T	TOP PLATE		
26	30320519T	SELECT LOCK ARM		
27	30320520T	TRIGGER ARM		
28	30320521T	SLIDE HOOK		
29	30320522T	PU SHAFT		
30	30320525T	CLAMPER ARM SPG		
31	30320526T	SELECT L ARM SP		
32	30320538T	SUSPENSION SP R	(x2)	
33	30320529T	SELECT ARM R		
34	30320530T	LINK PLATE		
35	30320531T	LINK PLATE SPG		
36	30320523T	CUSHION F		
37	30320524T	CUSHION R	(x2)	
38	30320539T	SUSPENSION SP L	(x2)	
61	69011614T	PICKUP OPT-725		
62	64180406T	DET SW ESE22		
71	303210302T	CONN BOARD ASSY		
72	30321002T	MODE SW		
73	30321003T	LOAD MOTOR WIRE		
74	30321005T	MODE SW WIRE		
75	30321009T	SL WIRE		
76	30321011T	WIRE HOLDER		
77	19501403T	WIRE CLUMPER		
81	303211301T	ROLLER SHAFT AS		
82	303211501T	L GEAR PLATE RV		
83	303211302T	LOADING PLATE A		
84	303211502T	LOCK ARM RV ASS		
85	303211303T	L/F MOTOR ASSY		
86	30321101T	LOADING GEAR 1		
87	30321102T	LOADING GEAR 2		
88	30321103T	LOADING GEAR 3		
89	30321104T	LOADING GEAR 4		
90	30321105T	LOADING GEAR 5		
91	30321106T	LOADING GEAR 6		
92	30321107T	LOADING GEAR 7		
93	30321111T	ROLLER GUIDE	(x2)	
94	30321114T	ROLLER GUIDE SP	(x2)	
95	30321116T	DISC STOPPER AR		
96	30321117T	DISC ST ARM SPG		
97	30321118T	LD GEAR BRACKET		
98	30321125T	L SIDE PLATE		
99	30321131T	LOAD PLATE SPG		
100	30321133T	LDG ROLLER	(x2)	
101	18211223T	COLLAR SCREW		
111	9P0420031T	SCREW	(x6)	
112	9P0420041T	TAP.SCREW	(x2)	
113	9B0320041T	SCREW		
114	9C0117183T	SCREW	(x2)	
115	9C0120203T	SCREW		
116	9C0317503T	SCREW		
121	9W0130170T	PW 3.5X8X0.3		
122	9W0513060T	HL WASHER		
123	9W0710070T	L WASHER		
124	9E0100152T	E RING		
125	9W0113020T	PW 2.1X4X0.13		

Electrical parts list

Main board

Block No. [0][1][0][0]

Symbol No.	Part No.	Part Name	Description	Local
IC31	TB2118F-X	PLL IC		
IC161	BD3807K	IC		
IC251	NJM4565M-WE	IC		
IC271	CD4066BPW-X	IC		
IC301	LA47515	IC		
IC361	NJM2160AV-X	IC		
IC381	NJM2160AV-X	IC		
IC701	UPD784217AGC241	IC		
IC702	IC-PST3433U-X	IC		
IC771	BR24L16F-W-X	IC		
IC801	HD74HC126FP-X	IC		
IC901	AN80T07	IC		
IC951	BA6956AN	IC		
Q1	2SD601A/QR/-X	TRANSISTOR		
Q5	2SB709A/QR/-X	TRANSISTOR		
Q6	2SB624/4/-X	TRANSISTOR		
Q7	UN2211-X	TRANSISTOR		
Q8	UN2211-X	TRANSISTOR		
Q31	UN2211-X	TRANSISTOR		
Q241	2SD601A/R/-X	TRANSISTOR		
Q271	2SD1781K/QR/-X	TRANSISTOR		
Q272	UN2211-X	TRANSISTOR		
Q273	UN2211-X	TRANSISTOR		
Q274	UN2111-X	TRANSISTOR		
Q321	KTD1304-X	TRANSISTOR		
Q331	KTD1304-X	TRANSISTOR		
Q341	KTD1304-X	TRANSISTOR		
Q351	KTD1304-X	TRANSISTOR		
Q701	UN2211-X	TRANSISTOR		
Q702	UN2213-X	DIGI TRANSISTOR		
Q703	UN2211-X	TRANSISTOR		
Q704	UN2211-X	TRANSISTOR		
Q705	UN2211-X	TRANSISTOR		
Q781	UN2111-X	TRANSISTOR		
Q782	UN2211-X	TRANSISTOR		
Q784	UN2111-X	TRANSISTOR		
Q841	UN2211-X	TRANSISTOR		
Q881	UN2211-X	TRANSISTOR		
Q891	UN2211-X	TRANSISTOR		
Q951	UN2211-X	TRANSISTOR		
Q976	UN2211-X	TRANSISTOR		
Q977	2SB709A/QR/-X	TRANSISTOR		
D1	1SS355-X	SI DIODE		
D2	1SS355-X	SI DIODE		
D4	MA152WK-X	SI DIODE		
D51	1SS355-X	SI DIODE		
D169	MA152WK-X	SI DIODE		
D242	1SS355-X	SI DIODE		
D243	RB160M-30-X	SB DIODE		
D244	UDZS5.1B-X	Z DIODE		
D272	1SS355-X	SI DIODE		
D273	1SS355-X	SI DIODE		
D321	1SS355-X	SI DIODE		
D322	1SS355-X	SI DIODE		
D701	UDZS6.2B-X	Z DIODE		
D702	UDZS6.2B-X	Z DIODE		
D703	UDZS6.2B-X	Z DIODE		
D704	UDZS6.2B-X	Z DIODE		
D705	UDZS6.2B-X	Z DIODE		
D706	UDZS6.2B-X	Z DIODE		
D707	UDZS6.2B-X	Z DIODE		
D708	UDZS6.2B-X	Z DIODE		
D709	UDZS6.2B-X	Z DIODE		
D710	UDZS6.2B-X	Z DIODE		
D711	UDZS6.2B-X	Z DIODE		
D712	1SS355-X	SI DIODE		
D713	UDZS6.2B-X	Z DIODE		
D714	UDZS6.2B-X	Z DIODE		
D715	1SS355-X	SI DIODE		
D716	1SS355-X	SI DIODE		

Symbol No.	Part No.	Part Name	Description	Local
D781	1SS355-X	SI DIODE		
D782	1SS355-X	SI DIODE		
D784	UDZS11B-X	Z DIODE		
D851	RB160M-30-X	SB DIODE		
D852	RB160M-30-X	SB DIODE		
D891	MA152WA-X	DIODE		
D901	1N5401-TU-15	DIODE		
D902	1SS355-X	SI DIODE		
D951	UDZS3.9B-X	Z DIODE		
D971	RB160M-30-X	SB DIODE		
D972	RB160M-30-X	SB DIODE		
C1	QERF1CM-226Z	E CAPACITOR	22uF 16V M	
C2	NCB31EK-473X	C CAPACITOR	0.047uF 25V K	
C3	NCB31EK-103X	C CAPACITOR	0.01uF 25V K	
C4	QERF1AM-227Z	E CAPACITOR	220uF 10V M	
C5	QERF1HM-104Z	E CAPACITOR	0.1uF 50V M	
C6	NCB31HK-103X	C CAPACITOR	0.01uF 50V K	
C9	QERF1CM-106Z	E CAPACITOR	10uF 16V M	
C12	NCB31HK-103X	C CAPACITOR	0.01uF 50V K	
C31	QERF1AM-107Z	E CAPACITOR	100uF 10V M	
C32	NDC31HJ-470X	C CAPACITOR	47pF 50V J	
C33	QERF0JM-476Z	E CAPACITOR	47uF 6.3V M	
C34	NCB31EK-473X	C CAPACITOR	0.047uF 25V K	
C35	NDC31HJ-100X	C CAPACITOR	10pF 50V J	
C36	NDC31HJ-7R0X	C CAPACITOR	7pF 50V J	
C37	NDC31HJ-100X	C CAPACITOR	10pF 50V J	
C38	NCB31HK-102X	C CAPACITOR	1000pF 50V K	
C39	NCB31HK-102X	C CAPACITOR	1000pF 50V K	
C40	QERF1CM-106Z	E CAPACITOR	10uF 16V M	
C41	NCB31EK-473X	C CAPACITOR	0.047uF 25V K	
C42	NCB31HK-103X	C CAPACITOR	0.01uF 50V K	
C43	QFV61HJ-473Z	MF CAPACITOR	0.047uF 50V J	
C44	NCB31EK-103X	C CAPACITOR	0.01uF 25V K	
C45	NCB31HK-272X	C CAPACITOR	2700pF 50V K	
C46	NCB31HK-103X	C CAPACITOR	0.01uF 50V K	
C47	NCB31HK-103X	C CAPACITOR	0.01uF 50V K	
C48	NCB31EK-473X	C CAPACITOR	0.047uF 25V K	
C49	NCB31HK-102X	C CAPACITOR	1000pF 50V K	
C50	NDC31HJ-101X	C CAPACITOR	100pF 50V J	
C51	NDC31HJ-331X	C CAPACITOR	330pF 50V J	
C81	QERF1HM-105Z	E CAPACITOR	1uF 50V M	
C82	NCB31HK-272X	C CAPACITOR	2700pF 50V K	
C85	NCB31HK-183X	C CAPACITOR	0.018uF 50V K	
C91	QERF1HM-105Z	E CAPACITOR	1uF 50V M	
C92	NCB31HK-272X	C CAPACITOR	2700pF 50V K	
C95	NCB31HK-183X	C CAPACITOR	0.018uF 50V K	
C163	QERF1HM-105Z	E CAPACITOR	1uF 50V M	
C164	QERF1HM-105Z	E CAPACITOR	1uF 50V M	
C165	QERF1HM-105Z	E CAPACITOR	1uF 50V M	
C166	NCB31HK-221X	C CAPACITOR	220pF 50V K	
C167	NCB31EK-104X	C CAPACITOR	0.1uF 25V K	
C168	NCB31HK-103X	C CAPACITOR	0.01uF 50V K	
C169	NCB31HK-103X	C CAPACITOR	0.01uF 50V K	
C173	QERF1HM-105Z	E CAPACITOR	1uF 50V M	
C174	QERF1HM-105Z	E CAPACITOR	1uF 50V M	
C175	QERF1HM-105Z	E CAPACITOR	1uF 50V M	
C176	NCB31HK-221X	C CAPACITOR	220pF 50V K	
C177	NCB31EK-104X	C CAPACITOR	0.1uF 25V K	
C178	NCB31EK-103X	C CAPACITOR	0.01uF 25V K	
C179	NCB31EK-103X	C CAPACITOR	0.01uF 25V K	
C180	QERF1CM-106Z	E CAPACITOR	10uF 16V M	
C181	QERF1CM-107Z	E CAPACITOR	100uF 16V M	
C182	NCB31EK-104X	C CAPACITOR	0.1uF 25V K	
C241	QERF1HM-105Z	E CAPACITOR	1uF 50V M	
C242	QERF1CM-226Z	E CAPACITOR	22uF 16V M	
C243	NCB31EK-473X	C CAPACITOR	0.047uF 25V K	
C245	QERF1HM-224Z	E CAPACITOR	0.22uF 50V M	
C251	NCB31HK-822X	C CAPACITOR	8200pF 50V K	
C252	NBE21AM-106X	TA E CAPACITOR	10uF 10V M	
C253	NBE21AM-106X	TA E CAPACITOR	10uF 10V M	
C254	NCB31EK-823X	C CAPACITOR	0.082uF 25V K	
C255	QERF1CM-476Z	E CAPACITOR	47uF 16V M	
C256	NCB31HK-103X	C CAPACITOR	0.01uF 50V K	
C261	QERF1HM-225Z	E CAPACITOR	2.2uF 50V M	
C262	QERF1HM-225Z	E CAPACITOR	2.2uF 50V M	

△ Symbol No.	Part No.	Part Name	Description	Local	△ Symbol No.	Part No.	Part Name	Description	Local
C271	NCB31EK-473X	C CAPACITOR	0.047uF 25V K		C852	NCB31EK-103X	C CAPACITOR	0.01uF 25V K	
C272	NDC31HJ-101X	C CAPACITOR	100pF 50V J		C881	QERF1CM-226Z	E CAPACITOR	22uF 16V M	
C273	NDC31HJ-101X	C CAPACITOR	100pF 50V J		C891	NCB31EK-104X	C CAPACITOR	0.1uF 25V K	
C274	NCB31EK-273X	C CAPACITOR	0.027uF 25V K		C901	QE20675-338	E CAPACITOR	3300uF	
C275	NCB31EK-273X	C CAPACITOR	0.027uF 25V K		C902	QERF1HM-225Z	E CAPACITOR	2.2uF 50V M	
C276	NCB31EK-333X	C CAPACITOR	0.033uF 25V K		C903	QERF1CM-476Z	E CAPACITOR	47uF 16V M	
C277	NCB31EK-562X	C CAPACITOR	5600pF 25V K		C904	QERF1CM-106Z	E CAPACITOR	10uF 16V M	
C278	NCB31EK-123X	C CAPACITOR	0.012uF 25V K		C905	QERF1CM-476Z	E CAPACITOR	47uF 16V M	
C279	NBE40JM-476X	TA E CAPACITOR	47uF 6.3V M		C906	NCB31HK-103X	C CAPACITOR	0.01uF 50V K	
C301	QFVD1HJ-474Z	MF CAPACITOR	0.47uF 50V J		C907	QERF1AM-227Z	E CAPACITOR	220uF 10V M	
C302	QFVD1HJ-474Z	MF CAPACITOR	0.47uF 50V J		C908	QERF1AM-227Z	E CAPACITOR	220uF 10V M	
C303	NDC31HJ-391X	C CAPACITOR	390pF 50V J		C909	QERF1AM-227Z	E CAPACITOR	220uF 10V M	
C304	NDC31HJ-391X	C CAPACITOR	390pF 50V J		C910	QERF1CM-476Z	E CAPACITOR	47uF 16V M	
C305	QERF1HM-105Z	E CAPACITOR	1uF 50V M		C911	NCB31EK-104X	C CAPACITOR	0.1uF 25V K	
C306	QERF1HM-105Z	E CAPACITOR	1uF 50V M		C912	NCB31HK-103X	C CAPACITOR	0.01uF 50V K	
C311	QFVD1HJ-474Z	MF CAPACITOR	0.47uF 50V J		C914	QERF1CM-107Z	E CAPACITOR	100uF 16V M	
C312	QFVD1HJ-474Z	MF CAPACITOR	0.47uF 50V J		C915	NCB31EK-104X	C CAPACITOR	0.1uF 25V K	
C313	NDC31HJ-391X	C CAPACITOR	390pF 50V J		C917	NCB21CK-334X	C CAPACITOR	0.33uF 16V K	
C314	NDC31HJ-391X	C CAPACITOR	390pF 50V J		C951	QERF1AM-227Z	E CAPACITOR	220uF 10V M	
C315	QERF1CM-475Z	E CAPACITOR	4.7uF 16V M		C961	NDC31HJ-101X	C CAPACITOR	100pF 50V J	
C316	QERF1CM-475Z	E CAPACITOR	4.7uF 16V M		C962	NDC31HJ-101X	C CAPACITOR	100pF 50V J	
C317	QERF1CM-476Z	E CAPACITOR	47uF 16V M		C963	NDC31HJ-101X	C CAPACITOR	100pF 50V J	
C318	QERF1CM-226Z	E CAPACITOR	22uF 16V M		C964	NDC31HJ-101X	C CAPACITOR	100pF 50V J	
C319	NCB31EK-223X	C CAPACITOR	0.022uF 25V K		C965	NDC31HJ-101X	C CAPACITOR	100pF 50V J	
C320	NCB31EK-223X	C CAPACITOR	0.022uF 25V K		C966	NDC31HJ-101X	C CAPACITOR	100pF 50V J	
C321	NDC31HJ-101X	C CAPACITOR	100pF 50V J		C967	NDC31HJ-101X	C CAPACITOR	100pF 50V J	
C322	NCB31EK-473X	C CAPACITOR	0.047uF 25V K		C968	NDC31HJ-101X	C CAPACITOR	100pF 50V J	
C323	NCB21EK-104X	C CAPACITOR	0.1uF 25V K		C971	NCB31EK-104X	C CAPACITOR	0.1uF 25V K	
C324	NCB21EK-104X	C CAPACITOR	0.1uF 25V K		R1	NRS181J-120X	MG RESISTOR	12Ω 1/8W J	
C325	NCB21EK-104X	C CAPACITOR	0.1uF 25V K		R2	NRSA63J-473X	MG RESISTOR	47kΩ 1/16W J	
C326	NCB21EK-104X	C CAPACITOR	0.1uF 25V K		R4	NRSA63J-332X	MG RESISTOR	3.3kΩ 1/16W J	
C361	QERF1EM-475Z	E CAPACITOR	4.7uF 25V M		R5	NRSA63J-473X	MG RESISTOR	47kΩ 1/16W J	
C362	NCB31EK-104X	C CAPACITOR	0.1uF 25V K		R6	NRSA63J-473X	MG RESISTOR	47kΩ 1/16W J	
C363	NBE40JM-476X	TA E CAPACITOR	47uF 6.3V M		R7	NRSA63J-472X	MG RESISTOR	4.7kΩ 1/16W J	
C364	NCB31EK-104X	C CAPACITOR	0.1uF 25V K		R8	NRSA63J-103X	MG RESISTOR	10kΩ 1/16W J	
C365	QERF1EM-475Z	E CAPACITOR	4.7uF 25V M		R9	NRSA63J-470X	MG RESISTOR	47Ω 1/16W J	
C366	QERF1AM-107Z	E CAPACITOR	100uF 10V M		R10	NRSA63J-0R0X	MG RESISTOR	0Ω 1/16W J	
C367	NBE21AM-475X	TA E CAPACITOR	4.7uF 10V M		R12	NRSA63J-0R0X	MG RESISTOR	0Ω 1/16W J	
C368	QERF1EM-475Z	E CAPACITOR	4.7uF 25V M		R31	NRS181J-100X	MG RESISTOR	10Ω 1/8W J	
C369	QERF1AM-107Z	E CAPACITOR	100uF 10V M		R32	NRSA63J-622X	MG RESISTOR	6.2kΩ 1/16W J	
C370	NCB31HK-152X	C CAPACITOR	1500pF 50V K		R33	NRSA63J-103X	MG RESISTOR	10kΩ 1/16W J	
C371	NCB31HK-152X	C CAPACITOR	1500pF 50V K		R34	NRSA63J-222X	MG RESISTOR	2.2kΩ 1/16W J	
C381	QERF1EM-475Z	E CAPACITOR	4.7uF 25V M		R35	NRSA63J-222X	MG RESISTOR	2.2kΩ 1/16W J	
C382	NCB31EK-104X	C CAPACITOR	0.1uF 25V K		R36	NRSA63J-222X	MG RESISTOR	2.2kΩ 1/16W J	
C383	QERF1CM-476Z	E CAPACITOR	47uF 16V M		R37	NRSA63J-222X	MG RESISTOR	2.2kΩ 1/16W J	
C384	NCB31EK-104X	C CAPACITOR	0.1uF 25V K		R38	NRSA63J-101X	MG RESISTOR	100Ω 1/16W J	
C385	QERF1EM-475Z	E CAPACITOR	4.7uF 25V M		R39	NRSA63J-0R0X	MG RESISTOR	0Ω 1/16W J	
C386	QERF1AM-107Z	E CAPACITOR	100uF 10V M		R40	NRSA63J-393X	MG RESISTOR	39kΩ 1/16W J	
C387	QERF1EM-475Z	E CAPACITOR	4.7uF 25V M		R41	NRSA63J-103X	MG RESISTOR	10kΩ 1/16W J	
C388	QERF1EM-475Z	E CAPACITOR	4.7uF 25V M		R42	NRS181J-100X	MG RESISTOR	10Ω 1/8W J	
C389	QERF1AM-107Z	E CAPACITOR	100uF 10V M		R43	NRSA63J-471X	MG RESISTOR	470Ω 1/16W J	
C391	NCB31HK-152X	C CAPACITOR	1500pF 50V K		R44	NRSA63J-221X	MG RESISTOR	220Ω 1/16W J	
C392	NCB31HK-152X	C CAPACITOR	1500pF 50V K		R51	NRSA63J-273X	MG RESISTOR	27kΩ 1/16W J	
C701	NDC31HJ-220X	C CAPACITOR	22pF 50V J		R81	NRSA63J-182X	MG RESISTOR	1.8kΩ 1/16W J	
C702	NDC31HJ-270X	C CAPACITOR	27pF 50V J		R82	NRSA63J-562X	MG RESISTOR	5.6kΩ 1/16W J	
C703	NDC31HJ-270X	C CAPACITOR	27pF 50V J		R91	NRSA63J-182X	MG RESISTOR	1.8kΩ 1/16W J	
C704	NDC31HJ-8R0X	C CAPACITOR	8pF 50V J		R92	NRSA63J-562X	MG RESISTOR	5.6kΩ 1/16W J	
C705	NCB31EK-104X	C CAPACITOR	0.1uF 25V K		R161	NRSA63J-222X	MG RESISTOR	2.2kΩ 1/16W J	
C706	NCB31EK-473X	C CAPACITOR	0.047uF 25V K		R162	NRSA63J-222X	MG RESISTOR	2.2kΩ 1/16W J	
C707	NCB31EK-473X	C CAPACITOR	0.047uF 25V K		R163	NRSA63J-333X	MG RESISTOR	33kΩ 1/16W J	
C708	NCB31EK-473X	C CAPACITOR	0.047uF 25V K		R164	NRSA63J-0R0X	MG RESISTOR	0Ω 1/16W J	
C709	NCB31HK-103X	C CAPACITOR	0.01uF 50V K		R165	NRSA63J-472X	MG RESISTOR	4.7kΩ 1/16W J	
C710	QERF0JM-476Z	E CAPACITOR	47uF 6.3V M		R166	NRSA63J-473X	MG RESISTOR	47kΩ 1/16W J	
C711	QERF1AM-227Z	E CAPACITOR	220uF 10V M		R167	NRSA63J-472X	MG RESISTOR	4.7kΩ 1/16W J	
C716	NCB31EK-104X	C CAPACITOR	0.1uF 25V K		R168	NRSA63J-473X	MG RESISTOR	47kΩ 1/16W J	
C717	NCB31EK-104X	C CAPACITOR	0.1uF 25V K		R169	NRSA63J-224X	MG RESISTOR	220kΩ 1/16W J	
C718	NCB31EK-104X	C CAPACITOR	0.1uF 25V K		R170	NRSA63J-224X	MG RESISTOR	220kΩ 1/16W J	
C719	NCB31EK-104X	C CAPACITOR	0.1uF 25V K		R171	NRSA63J-102X	MG RESISTOR	1kΩ 1/16W J	
C720	NCB31HK-103X	C CAPACITOR	0.01uF 50V K		R172	NRSA63J-123X	MG RESISTOR	12kΩ 1/16W J	
C721	NCB31HK-103X	C CAPACITOR	0.01uF 50V K		R173	NRSA63J-102X	MG RESISTOR	1kΩ 1/16W J	
C722	NCB31HK-103X	C CAPACITOR	0.01uF 50V K		R174	NRSA63J-123X	MG RESISTOR	12kΩ 1/16W J	
C771	NCB31EK-473X	C CAPACITOR	0.047uF 25V K		R241	NRSA63J-473X	MG RESISTOR	47kΩ 1/16W J	
C781	QERF0JM-476Z	E CAPACITOR	47uF 6.3V M		R242	NRSA63J-223X	MG RESISTOR	22kΩ 1/16W J	
C782	NCB31EK-823X	C CAPACITOR	0.082uF 25V K		R243	NRSA63J-184X	MG RESISTOR	180kΩ 1/16W J	
C784	QERF1CM-107Z	E CAPACITOR	100uF 16V M		R244	NRSA63J-123X	MG RESISTOR	12kΩ 1/16W J	
C801	NCB31EK-473X	C CAPACITOR	0.047uF 25V K		R245	NRSA63J-470X	MG RESISTOR	47Ω 1/16W J	
C841	QERF1HM-105Z	E CAPACITOR	1uF 50V M		R246	NRSA63J-102X	MG RESISTOR	1kΩ 1/16W J	
C851	QERF1CM-106Z	E CAPACITOR	10uF 16V M						

△ Symbol No.	Part No.	Part Name	Description	Local	△ Symbol No.	Part No.	Part Name	Description	Local
R247	NRSA63J-333X	MG RESISTOR	33kΩ 1/16W J		R739	NRSA63J-472X	MG RESISTOR	4.7kΩ 1/16W J	
R248	NRSA63J-221X	MG RESISTOR	220Ω 1/16W J		R740	NRSA63J-472X	MG RESISTOR	4.7kΩ 1/16W J	
R251	NRSA63J-104X	MG RESISTOR	100kΩ 1/16W J		R741	NRSA63J-103X	MG RESISTOR	10kΩ 1/16W J	
R252	NRSA63J-473X	MG RESISTOR	47kΩ 1/16W J		R743	NRSA63J-103X	MG RESISTOR	10kΩ 1/16W J	
R253	NRSA63J-104X	MG RESISTOR	100kΩ 1/16W J		R744	NRSA63J-103X	MG RESISTOR	10kΩ 1/16W J	
R255	NRSA63J-0R0X	MG RESISTOR	0Ω 1/16W J		R745	NRSA63J-103X	MG RESISTOR	10kΩ 1/16W J	
R256	NRSA63J-104X	MG RESISTOR	100kΩ 1/16W J		R746	NRSA63J-103X	MG RESISTOR	10kΩ 1/16W J	
R257	NRSA63J-562X	MG RESISTOR	5.6kΩ 1/16W J		R747	NRSA63J-472X	MG RESISTOR	4.7kΩ 1/16W J	
R258	NRSA63J-153X	MG RESISTOR	15kΩ 1/16W J		R748	NRSA63J-472X	MG RESISTOR	4.7kΩ 1/16W J	
R259	NRSA63J-103X	MG RESISTOR	10kΩ 1/16W J		R749	NRSA63J-472X	MG RESISTOR	4.7kΩ 1/16W J	
R260	NRSA63J-473X	MG RESISTOR	47kΩ 1/16W J		R750	NRSA63J-103X	MG RESISTOR	10kΩ 1/16W J	
R261	NRSA63J-821X	MG RESISTOR	820Ω 1/16W J		R751	NRSA63J-103X	MG RESISTOR	10kΩ 1/16W J	
R271	NRSA63J-222X	MG RESISTOR	2.2kΩ 1/16W J		R752	NRSA63J-0R0X	MG RESISTOR	0Ω 1/16W J	
R272	NRSA63J-101X	MG RESISTOR	100Ω 1/16W J		R753	NRSA63J-473X	MG RESISTOR	47kΩ 1/16W J	
R273	NRSA63J-101X	MG RESISTOR	100Ω 1/16W J		R754	NRSA63J-821X	MG RESISTOR	820Ω 1/16W J	
R274	NRSA63J-473X	MG RESISTOR	47kΩ 1/16W J		R755	NRSA63J-106X	MG RESISTOR	10MΩ 1/16W J	
R275	NRSA63J-105X	MG RESISTOR	1MΩ 1/16W J		R756	NRSA63J-473X	MG RESISTOR	47kΩ 1/16W J	
R276	NRSA63J-105X	MG RESISTOR	1MΩ 1/16W J		R757	NRSA63J-222X	MG RESISTOR	2.2kΩ 1/16W J	
R277	NRSA63J-105X	MG RESISTOR	1MΩ 1/16W J		R758	NRSA63J-473X	MG RESISTOR	47kΩ 1/16W J	
R278	NRSA63J-105X	MG RESISTOR	1MΩ 1/16W J		R759	NRSA63J-473X	MG RESISTOR	47kΩ 1/16W J	
R279	NRSA63J-473X	MG RESISTOR	47kΩ 1/16W J		R760	NRSA63J-473X	MG RESISTOR	47kΩ 1/16W J	
R280	NRSA63J-103X	MG RESISTOR	10kΩ 1/16W J		R761	NRSA63J-0R0X	MG RESISTOR	0Ω 1/16W J	
R301	NRSA63J-273X	MG RESISTOR	27kΩ 1/16W J		R762	NRSA63J-0R0X	MG RESISTOR	0Ω 1/16W J	
R302	NRSA63J-273X	MG RESISTOR	27kΩ 1/16W J		R763	NRSA63J-103X	MG RESISTOR	10kΩ 1/16W J	
R306	NRSA63J-103X	MG RESISTOR	10kΩ 1/16W J		R764	NRSA63J-103X	MG RESISTOR	10kΩ 1/16W J	
R311	NRSA63J-273X	MG RESISTOR	27kΩ 1/16W J		R765	NRSA63J-103X	MG RESISTOR	10kΩ 1/16W J	
R312	NRSA63J-273X	MG RESISTOR	27kΩ 1/16W J		R768	NRSA63J-473X	MG RESISTOR	47kΩ 1/16W J	
R321	NRSA63J-222X	MG RESISTOR	2.2kΩ 1/16W J		R770	NRSA63J-473X	MG RESISTOR	47kΩ 1/16W J	
R322	NRSA63J-821X	MG RESISTOR	820Ω 1/16W J		R771	NRSA63J-271X	MG RESISTOR	270Ω 1/16W J	
R323	NRSA63J-101X	MG RESISTOR	100Ω 1/16W J		R772	NRSA63J-271X	MG RESISTOR	270Ω 1/16W J	
R331	NRSA63J-222X	MG RESISTOR	2.2kΩ 1/16W J		R773	NRSA63J-224X	MG RESISTOR	220kΩ 1/16W J	
R332	NRSA63J-821X	MG RESISTOR	820Ω 1/16W J		R774	NRSA63J-224X	MG RESISTOR	220kΩ 1/16W J	
R333	NRSA63J-101X	MG RESISTOR	100Ω 1/16W J		R775	NRSA63J-224X	MG RESISTOR	220kΩ 1/16W J	
R341	NRSA63J-222X	MG RESISTOR	2.2kΩ 1/16W J		R777	NRSA63J-473X	MG RESISTOR	47kΩ 1/16W J	
R342	NRSA63J-821X	MG RESISTOR	820Ω 1/16W J		R780	NRSA63J-473X	MG RESISTOR	47kΩ 1/16W J	
R343	NRSA63J-101X	MG RESISTOR	100Ω 1/16W J		R781	NRSA63J-473X	MG RESISTOR	47kΩ 1/16W J	
R351	NRSA63J-222X	MG RESISTOR	2.2kΩ 1/16W J		R783	NRSA63J-102X	MG RESISTOR	1kΩ 1/16W J	
R352	NRSA63J-821X	MG RESISTOR	820Ω 1/16W J		R791	NRSA63J-473X	MG RESISTOR	47kΩ 1/16W J	
R353	NRSA63J-101X	MG RESISTOR	100Ω 1/16W J		R792	NRS181J-0R0X	MG RESISTOR	0Ω 1/8W J	
R361	NRSA63J-333X	MG RESISTOR	33kΩ 1/16W J		R801	NRSA63J-473X	MG RESISTOR	47kΩ 1/16W J	
R362	NRSA63J-223X	MG RESISTOR	22kΩ 1/16W J		R802	NRSA63J-473X	MG RESISTOR	47kΩ 1/16W J	
R363	NRSA63J-223X	MG RESISTOR	22kΩ 1/16W J		R803	NRSA63J-101X	MG RESISTOR	100Ω 1/16W J	
R365	NRSA63J-333X	MG RESISTOR	33kΩ 1/16W J		R804	NRSA63J-223X	MG RESISTOR	22kΩ 1/16W J	
R366	NRSA63J-104X	MG RESISTOR	100kΩ 1/16W J		R805	NRSA63J-104X	MG RESISTOR	100kΩ 1/16W J	
R367	NRSA63J-104X	MG RESISTOR	100kΩ 1/16W J		R806	NRSA63J-103X	MG RESISTOR	10kΩ 1/16W J	
R368	NRSA63J-473X	MG RESISTOR	47kΩ 1/16W J		R807	NRSA63J-104X	MG RESISTOR	100kΩ 1/16W J	
R369	NRSA63J-473X	MG RESISTOR	47kΩ 1/16W J		R808	NRSA63J-331X	MG RESISTOR	330Ω 1/16W J	
R370	NRSA63J-102X	MG RESISTOR	1kΩ 1/16W J		R809	NRSA63J-223X	MG RESISTOR	22kΩ 1/16W J	
R371	NRSA63J-102X	MG RESISTOR	1kΩ 1/16W J		R810	NRSA63J-101X	MG RESISTOR	100Ω 1/16W J	
R381	NRSA63J-333X	MG RESISTOR	33kΩ 1/16W J		R841	NRSA63J-332X	MG RESISTOR	3.3kΩ 1/16W J	
R382	NRSA63J-223X	MG RESISTOR	22kΩ 1/16W J		R851	NRSA63J-103X	MG RESISTOR	10kΩ 1/16W J	
R383	NRSA63J-223X	MG RESISTOR	22kΩ 1/16W J		R881	NRSA63J-473X	MG RESISTOR	47kΩ 1/16W J	
R385	NRSA63J-333X	MG RESISTOR	33kΩ 1/16W J		R882	NRSA63J-472X	MG RESISTOR	4.7kΩ 1/16W J	
R386	NRSA63J-104X	MG RESISTOR	100kΩ 1/16W J		R891	NRSA63J-102X	MG RESISTOR	1kΩ 1/16W J	
R387	NRSA63J-104X	MG RESISTOR	100kΩ 1/16W J		R892	NRSA63J-473X	MG RESISTOR	47kΩ 1/16W J	
R388	NRSA63J-473X	MG RESISTOR	47kΩ 1/16W J		R901	QRE142J-102X	C RESISTOR	1kΩ 1/4W J	
R389	NRSA63J-473X	MG RESISTOR	47kΩ 1/16W J		R902	NRSA02J-912X	MG RESISTOR	9.1kΩ 1/10W J	
R390	NRSA63J-102X	MG RESISTOR	1kΩ 1/16W J		R903	NRSA02J-472X	MG RESISTOR	4.7kΩ 1/10W J	
R391	NRSA63J-102X	MG RESISTOR	1kΩ 1/16W J		R951	NRSA63J-102X	MG RESISTOR	1kΩ 1/16W J	
R701	NRSA63J-473X	MG RESISTOR	47kΩ 1/16W J		R971	NRS181J-222X	MG RESISTOR	2.2kΩ 1/8W J	
R711	NRSA63J-473X	MG RESISTOR	47kΩ 1/16W J		R972	NRS181J-222X	MG RESISTOR	2.2kΩ 1/8W J	
R712	NRSA63J-101X	MG RESISTOR	100Ω 1/16W J		R976	NRSA02J-273X	MG RESISTOR	27kΩ 1/10W J	
R714	NRSA63J-103X	MG RESISTOR	10kΩ 1/16W J		R977	NRSA02J-123X	MG RESISTOR	12kΩ 1/10W J	
R719	NRSA63J-0R0X	MG RESISTOR	0Ω 1/16W J						
R721	NRSA63J-102X	MG RESISTOR	1kΩ 1/16W J		L1	NQL114M-4R7X	COIL	4.7uH M	
R722	NRSA63J-103X	MG RESISTOR	10kΩ 1/16W J		L701	NQL114M-4R7X	COIL	4.7uH M	
R723	NRSA63J-103X	MG RESISTOR	10kΩ 1/16W J		L901	QQR1378-002	CHOCO COIL		
R725	NRSA63J-103X	MG RESISTOR	10kΩ 1/16W J						
R726	NRSA63J-103X	MG RESISTOR	10kΩ 1/16W J		BZ841	QAN0023-001Z	BUZZER		
R728	NRSA63J-103X	MG RESISTOR	10kΩ 1/16W J		CN101	QGB2027M4-22S	CONNECTOR	B-B (1-22)	
R729	NRSA63J-473X	MG RESISTOR	47kΩ 1/16W J		CN251	QGA2501C1-03	CONNECTOR	W-B (1-3)	
R732	NRSA63J-103X	MG RESISTOR	10kΩ 1/16W J		CN702	QGF1041C1-16W	CONNECTOR	FFC/FPC (1-16)	
R733	NRSA63J-103X	MG RESISTOR	10kΩ 1/16W J		CN901	QNZ0611-001	16P CONNECTOR		
R734	NRSA63J-222X	MG RESISTOR	2.2kΩ 1/16W J		CN951	QGA2501F1-02	CONNECTOR	W-B (1-2)	
R735	NRSA63J-222X	MG RESISTOR	2.2kΩ 1/16W J		CN952	QJB005-040909	SIN ID C-B WIRE		
R736	NRSA63J-222X	MG RESISTOR	2.2kΩ 1/16W J		J1	QAM0556-001	ANT CABLE		
R737	NRSA63J-0R0X	MG RESISTOR	0Ω 1/16W J		J321	QNN0489-001	PIN JACK		
R738	NRSA63J-472X	MG RESISTOR	4.7kΩ 1/16W J		J801	QNZ0095-001	CONNECTOR		

Symbol No.	Part No.	Part Name	Description	Local
PP1	QZW0010-001	STYLE PIN		
PP5	QZW0010-001	STYLE PIN		
TU1	QAU0312-001	TUNER		
X31	QAX0616-001Z	CRYSTAL	10.250MHz	
X701	QAX0617-001Z	CRYSTAL	12.500MHz	
X702	QAX0401-001	CRYSTAL	32.768KHz	

Front board

Block No. [0][2][0][0]

Symbol No.	Part No.	Part Name	Description	Local
IC601	LC75878W	IC		
IC602	RPM7338-V4	REMOCON RCV		
Q641	2SB624/4-X	TRANSISTOR		
Q643	UN2211-X	TRANSISTOR		
Q644	UN2211-X	TRANSISTOR		
D601	SML-310LT/MN/-X	LED		
D602	SML-310VT/JK/-X	LED		
D603	SML-310VT/JK/-X	LED		
D604	SML-310VT/JK/-X	LED		
D605	SML-310VT/JK/-X	LED		
D606	SML-310VT/JK/-X	LED		
D607	SML-310VT/JK/-X	LED		
D608	SML-310VT/JK/-X	LED		
D609	SML-310VT/JK/-X	LED		
D610	SML-310VT/JK/-X	LED		
D611	SML-310VT/JK/-X	LED		
D612	SML-310VT/JK/-X	LED		
D613	SML-310VT/JK/-X	LED		
D614	SML-310VT/JK/-X	LED		
D616	SML-310VT/JK/-X	LED		
D617	SML-310VT/JK/-X	LED		
D618	SML-310VT/JK/-X	LED		
D620	SML-310VT/JK/-X	LED		
D621	SML-310VT/JK/-X	LED		
D622	SML-310VT/JK/-X	LED		
D623	SML-310VT/JK/-X	LED		
D624	SML-A12BC2T-X	BLUELED		
D625	SML-A12BC2T-X	BLUELED		
D641	NSPW310BS/BSR/	LED		
D642	NSPW310BS/BSR/	LED		
D643	NSPW310BS/BSR/	LED		
D650	UDZS9.1B-X	Z DIODE		
D651	UDZS5.1B-X	Z DIODE		
D652	1SS355-X	SI DIODE		
D653	1SS355-X	SI DIODE		
D654	1SS355-X	SI DIODE		
D655	1SS355-X	SI DIODE		
D656	1SS355-X	SI DIODE		
D657	1SS355-X	SI DIODE		
D658	1SS355-X	SI DIODE		
D680	UDZS5.6B-X	Z DIODE	1.5kΩ 1/10W J	
C601	NBE20JM-475X	TA E CAPACITOR	4.7uF 6.3V M	
C602	NCS31HJ-681X	C CAPACITOR	680pF 50V J	
C603	NCB31CK-104X	C CAPACITOR	0.1uF 16V K	
C604	NCB31CK-104X	C CAPACITOR	0.1uF 16V K	
C605	NCB31CK-104X	C CAPACITOR	0.1uF 16V K	
C608	NCB31HK-103X	C CAPACITOR	0.01uF 50V K	
C609	NCB31HK-103X	C CAPACITOR	0.01uF 50V K	
C610	NBE21CM-475X	TA E CAPACITOR	4.7uF 16V M	
C611	NCB31CK-104X	C CAPACITOR	0.1uF 16V K	
C612	NBE20JM-475X	TA E CAPACITOR	4.7uF 6.3V M	
C680	NBE20JM-475X	TA E CAPACITOR	4.7uF 6.3V M	
R601	NRSA63J-821X	MG RESISTOR	820Ω 1/16W J	
R602	NRSA63J-821X	MG RESISTOR	820Ω 1/16W J	
R603	NRSA63J-122X	MG RESISTOR	1.2kΩ 1/16W J	
R604	NRSA63J-182X	MG RESISTOR	1.8kΩ 1/16W J	
R605	NRSA63J-821X	MG RESISTOR	820Ω 1/16W J	
R606	NRSA63J-821X	MG RESISTOR	820Ω 1/16W J	

Symbol No.	Part No.	Part Name	Description	Local
R607	NRSA63J-122X	MG RESISTOR	1.2kΩ 1/16W J	
R608	NRSA63J-182X	MG RESISTOR	1.8kΩ 1/16W J	
R609	NRSA63J-272X	MG RESISTOR	2.7kΩ 1/16W J	
R610	NRSA63J-392X	MG RESISTOR	3.9kΩ 1/16W J	
R611	NRSA63J-103X	MG RESISTOR	10kΩ 1/16W J	
R612	NRSA63J-821X	MG RESISTOR	820Ω 1/16W J	
R613	NRSA63J-821X	MG RESISTOR	820Ω 1/16W J	
R614	NRSA63J-122X	MG RESISTOR	1.2kΩ 1/16W J	
R615	NRSA63J-182X	MG RESISTOR	1.8kΩ 1/16W J	
R622	NRSA63J-0R0X	MG RESISTOR	0Ω 1/16W J	
R624	NRSA02J-821X	MG RESISTOR	820Ω 1/10W J	
R625	NRSA02J-561X	MG RESISTOR	560Ω 1/10W J	
R628	NRSA02J-821X	MG RESISTOR	820Ω 1/10W J	
R630	NRSA02J-561X	MG RESISTOR	560Ω 1/10W J	
R632	NRSA02J-561X	MG RESISTOR	560Ω 1/10W J	
R633	NRSA02J-561X	MG RESISTOR	560Ω 1/10W J	
R636	NRSA02J-561X	MG RESISTOR	560Ω 1/10W J	
R638	NRSA02J-561X	MG RESISTOR	560Ω 1/10W J	
R639	NRSA02J-821X	MG RESISTOR	820Ω 1/10W J	
R642	NRSA02J-821X	MG RESISTOR	820Ω 1/10W J	
R644	NRSA02J-561X	MG RESISTOR	560Ω 1/10W J	
R645	NRSA02J-821X	MG RESISTOR	820Ω 1/10W J	
R647	NRSA02J-561X	MG RESISTOR	560Ω 1/10W J	
R649	NRSA02J-561X	MG RESISTOR	560Ω 1/10W J	
R651	NRSA02J-621X	MG RESISTOR	620Ω 1/10W J	
R654	NRSA02J-621X	MG RESISTOR	620Ω 1/10W J	
R655	NRS181J-431X	MG RESISTOR	430Ω 1/8W J	
R656	NRS181J-431X	MG RESISTOR	430Ω 1/8W J	
R657	NRS181J-431X	MG RESISTOR	430Ω 1/8W J	
R658	NRS181J-471X	MG RESISTOR	470Ω 1/8W J	
R659	NRS181J-473X	MG RESISTOR	47kΩ 1/8W J	
R660	NRS181J-102X	MG RESISTOR	1kΩ 1/8W J	
R661	NRSA63J-0R0X	MG RESISTOR	0Ω 1/16W J	
R665	NRSA63J-0R0X	MG RESISTOR	0Ω 1/16W J	
R666	NRSA63J-473X	MG RESISTOR	47kΩ 1/16W J	
R667	NRSA63J-473X	MG RESISTOR	47kΩ 1/16W J	
R668	NRS181J-102X	MG RESISTOR	1kΩ 1/8W J	
R669	NRSA63J-221X	MG RESISTOR	220Ω 1/16W J	
R670	NRSA63J-394X	MG RESISTOR	390kΩ 1/16W J	
R671	NRSA63J-103X	MG RESISTOR	10kΩ 1/16W J	
R672	NRSA63J-103X	MG RESISTOR	10kΩ 1/16W J	
R673	NRSA63J-103X	MG RESISTOR	10kΩ 1/16W J	
R674	NRSA63J-103X	MG RESISTOR	10kΩ 1/16W J	
R675	NRSA63J-823X	MG RESISTOR	82kΩ 1/16W J	
R676	NRSA63J-332X	MG RESISTOR	3.3kΩ 1/16W J	
R677	NRSA63J-332X	MG RESISTOR	3.3kΩ 1/16W J	
R678	NRSA63J-332X	MG RESISTOR	3.3kΩ 1/16W J	
R679	NRSA63J-151X	MG RESISTOR	150Ω 1/16W J	
R680	NRSA63J-103X	MG RESISTOR	10kΩ 1/16W J	
R681	NRSA63J-471X	MG RESISTOR	470Ω 1/16W J	
R685	NRSA63J-103X	MG RESISTOR	10kΩ 1/16W J	
R690	NRSA63J-0R0X	MG RESISTOR	0Ω 1/16W J	
CN601	NNZ0098-001X	CAR CONNECTOR		
JS601	QSW0793-001	ROTARY ENCODER		
S601	NSW0124-001X	TACT SW		
S602	NSW0124-001X	TACT SW		
S603	NSW0124-001X	TACT SW		
S605	NSW0124-001X	TACT SW		
S606	NSW0124-001X	TACT SW		
S607	NSW0124-001X	TACT SW		
S608	NSW0124-001X	TACT SW		
S609	NSW0124-001X	TACT SW		
S610	NSW0124-001X	TACT SW		
S611	NSW0124-001X	TACT SW		
S612	NSW0124-001X	TACT SW		
S613	NSW0124-001X	TACT SW		
S614	NSW0124-001X	TACT SW		
S615	NSW0124-001X	TACT SW		
S616	NSW0124-001X	TACT SW		
S617	NSW0124-001X	TACT SW		
S690	NSW0124-001X	TACT SW		
SD601	NSW0218-001X	LUMISWITCH		
SD602	NSW0218-001X	LUMISWITCH		
TH685	NAD0022-103X	N THERMISTOR	10kΩ 10mW F	

CD mecha control board

Block No. [0][3][0][0]

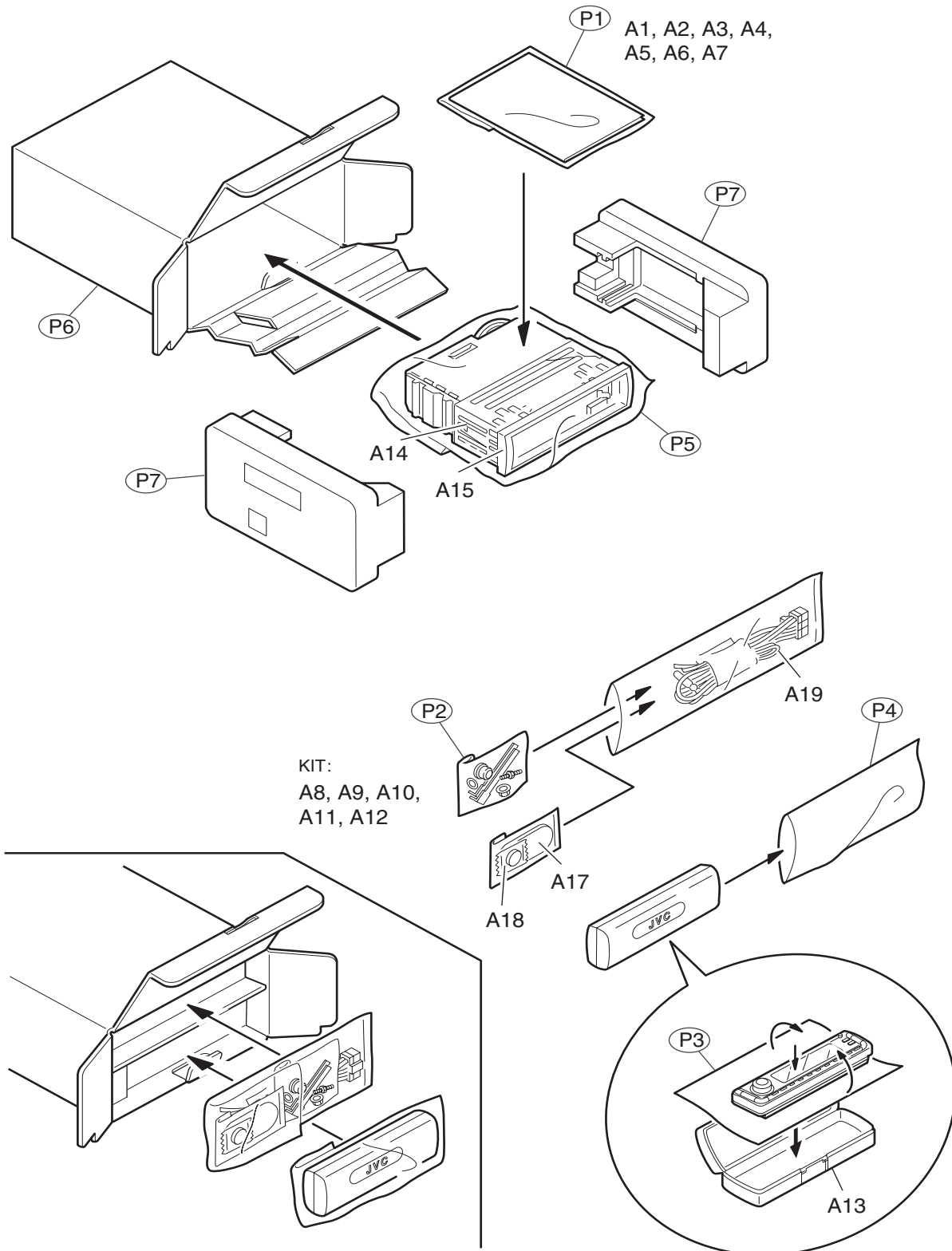
△ Symbol No.	Part No.	Part Name	Description	Local
IC501	TMP91CW12AF5DG8	IC		
IC502	BR24L01AFV-W-X	IC		
IC503	SN74AHCT126PW-X	IC(DIGITAL)		
IC504	NJU7241F33-X	IC		
IC571	PCM1748KE-X	IC		
IC572	NJM4565V-X	IC		
IC573	SN74AHC04PW-X	IC		
IC601	TA2157FN-X	RF AMP IC		
IC621	TC94A14FA	CD LSI IC		
IC651	NJU7772F15-X	IC		
IC652	TC94A34FG-002	IC		
IC681	BA5830FP-X	IC		
Q501	UN2111-X	TRANSISTOR		
Q502	UN2211-X	TRANSISTOR		
Q571	UN2111-X	TRANSISTOR		
Q572	UN2211-X	TRANSISTOR		
Q573	2SB624/4-X	TRANSISTOR		
Q574	UN2211-X	TRANSISTOR		
Q601	2SB1132/QR-W	TRANSISTOR		
Q651	2SB624/4-X	TRANSISTOR		
Q652	UN2211-X	TRANSISTOR		
Q681	2SB1184/QR-X	TRANSISTOR		
D506	MA111-X	SI DIODE		
D682	1SR154-400-X	DIODE		
C501	NCB31HK-103X	C CAPACITOR	0.01uF 50V K	
C502	NCB31HK-103X	C CAPACITOR	0.01uF 50V K	
C503	NEAD0JM-107X	E CAPACITOR	100uF 6.3V M	
C504	NDC31HJ-220X	C CAPACITOR	22pF 50V J	
C505	NDC31HJ-220X	C CAPACITOR	22pF 50V J	
C506	NCB31HK-103X	C CAPACITOR	0.01uF 50V K	
C507	NCB31HK-103X	C CAPACITOR	0.01uF 50V K	
C508	NCB31HK-103X	C CAPACITOR	0.01uF 50V K	
C509	NCB31HK-103X	C CAPACITOR	0.01uF 50V K	
C510	NCB31HK-103X	C CAPACITOR	0.01uF 50V K	
C511	NCB31CK-104X	C CAPACITOR	0.1uF 16V K	
C512	NEAD0JM-107X	E CAPACITOR	100uF 6.3V M	
C513	NCB31HK-103X	C CAPACITOR	0.01uF 50V K	
C514	NCS31HJ-102X	C CAPACITOR	1000pF 50V J	
C551	NCB31HK-103X	C CAPACITOR	0.01uF 50V K	
C571	NDC31HJ-270X	C CAPACITOR	27pF 50V J	
C572	NDC31HJ-270X	C CAPACITOR	27pF 50V J	
C573	NCB31CK-104X	C CAPACITOR	0.1uF 16V K	
C574	NEAD0JM-476X	E CAPACITOR	47uF 6.3V M	
C575	NEAD0JM-476X	E CAPACITOR	47uF 6.3V M	
C576	NCB31CK-104X	C CAPACITOR	0.1uF 16V K	
C577	NCB31EK-104X	C CAPACITOR	0.1uF 25V K	
C578	NEAD0JM-476X	E CAPACITOR	47uF 6.3V M	
C581	NDC31HJ-101X	C CAPACITOR	100pF 50V J	
C582	NDC31HJ-101X	C CAPACITOR	100pF 50V J	
C583	NCS31HJ-821X	C CAPACITOR	820pF 50V J	
C584	NCS31HJ-821X	C CAPACITOR	820pF 50V J	
C585	NEAD1VM-475X	E CAPACITOR	4.7uF 35V M	
C586	NEAD1VM-475X	E CAPACITOR	4.7uF 35V M	
C587	NDC31HJ-121X	C CAPACITOR	120pF 50V J	
C588	NDC31HJ-121X	C CAPACITOR	120pF 50V J	
C589	NEAD1VM-475X	E CAPACITOR	4.7uF 35V M	
C590	NEAD1VM-475X	E CAPACITOR	4.7uF 35V M	
C591	NEAD0JM-476X	E CAPACITOR	47uF 6.3V M	
C592	NEAD0JM-476X	E CAPACITOR	47uF 6.3V M	
C593	NEAD1CM-476X	E CAPACITOR	47uF 16V M	
C594	NCS31HJ-102X	C CAPACITOR	1000pF 50V J	
C595	NCB31CK-473X	C CAPACITOR	0.047uF 16V K	
C596	NDC31HJ-101X	C CAPACITOR	100pF 50V J	
C597	NCS31HJ-102X	C CAPACITOR	1000pF 50V J	
C598	NCS31HJ-102X	C CAPACITOR	1000pF 50V J	
C601	NEAD0JM-476X	E CAPACITOR	47uF 6.3V M	
C602	NCB31HK-103X	C CAPACITOR	0.01uF 50V K	
C603	NEAD0JM-107X	E CAPACITOR	100uF 6.3V M	
C604	NCB31HK-103X	C CAPACITOR	0.01uF 50V K	
C605	NCB31HK-682X	C CAPACITOR	6800pF 50V K	
C606	NEAD0JM-476X	E CAPACITOR	47uF 6.3V M	

△ Symbol No.	Part No.	Part Name	Description	Local
C607	NCB31HK-103X	C CAPACITOR	0.01uF 50V K	
C608	NCB31CK-104X	C CAPACITOR	0.1uF 16V K	
C609	NCB31CK-104X	C CAPACITOR	0.1uF 16V K	
C610	NDC31HJ-5R0X	C CAPACITOR	5pF 50V J	
C611	NDC31HJ-680X	C CAPACITOR	68pF 50V J	
C612	NCB31HK-103X	C CAPACITOR	0.01uF 50V K	
C613	NCB31HK-103X	C CAPACITOR	0.01uF 50V K	
C614	NCB31HK-103X	C CAPACITOR	0.01uF 50V K	
C616	NBE20JM-106X	TA E CAPACITOR	10uF 6.3V M	
C621	NCB31HK-103X	C CAPACITOR	0.01uF 50V K	
C622	NEAD0JM-476X	E CAPACITOR	47uF 6.3V M	
C623	NDC31HJ-470X	C CAPACITOR	47pF 50V J	
C624	NCB31HK-153X	C CAPACITOR	0.015uF 50V K	
C625	NCB31HK-103X	C CAPACITOR	0.01uF 50V K	
C626	NCB31HK-272X	C CAPACITOR	2700pF 50V K	
C627	NCB31HK-103X	C CAPACITOR	0.01uF 50V K	
C628	NEAD0JM-476X	E CAPACITOR	47uF 6.3V M	
C629	NCB31EK-333X	C CAPACITOR	0.033uF 25V K	
C630	NCB31EK-333X	C CAPACITOR	0.033uF 25V K	
C631	NDC31HJ-471X	C CAPACITOR	470pF 50V J	
C632	NDC31HJ-471X	C CAPACITOR	470pF 50V J	
C633	NCB31CK-473X	C CAPACITOR	0.047uF 16V K	
C634	NCB31CK-473X	C CAPACITOR	0.047uF 16V K	
C635	NCB31CK-473X	C CAPACITOR	0.047uF 16V K	
C636	NCB31CK-473X	C CAPACITOR	0.047uF 16V K	
C637	NCB31CK-473X	C CAPACITOR	0.047uF 16V K	
C638	NCB31HK-103X	C CAPACITOR	0.01uF 50V K	
C639	NEAD0JM-476X	E CAPACITOR	47uF 6.3V M	
C640	NCB31HK-103X	C CAPACITOR	0.01uF 50V K	
C641	NEAD0JM-476X	E CAPACITOR	47uF 6.3V M	
C642	NDC31HJ-101X	C CAPACITOR	100pF 50V J	
C643	NCB31HK-103X	C CAPACITOR	0.01uF 50V K	
C644	NCB31AK-334X	C CAPACITOR	0.33uF 10V K	
C645	NEAD0JM-476X	E CAPACITOR	47uF 6.3V M	
C646	NCB31HK-103X	C CAPACITOR	0.01uF 50V K	
C651	NEAD0JM-476X	E CAPACITOR	47uF 6.3V M	
C652	NCB31HK-103X	C CAPACITOR	0.01uF 50V K	
C653	NEAD0JM-476X	E CAPACITOR	47uF 6.3V M	
C654	NCB31CK-104X	C CAPACITOR	0.1uF 16V K	
C655	NCB31HK-103X	C CAPACITOR	0.01uF 50V K	
C656	NCB31CK-104X	C CAPACITOR	0.1uF 16V K	
C659	NCB31CK-104X	C CAPACITOR	0.1uF 16V K	
C660	NDC31HJ-101X	C CAPACITOR	100pF 50V J	
C661	NCB31HK-103X	C CAPACITOR	0.01uF 50V K	
C662	NDC31HJ-101X	C CAPACITOR	100pF 50V J	
C663	NBE20JM-106X	TA E CAPACITOR	10uF 6.3V M	
C664	NCB31HK-222X	C CAPACITOR	2200pF 50V K	
C665	NCB31EK-104X	C CAPACITOR	0.1uF 25V K	
C666	NDC31HJ-101X	C CAPACITOR	100pF 50V J	
C667	NCB31HK-103X	C CAPACITOR	0.01uF 50V K	
C668	NEAD0JM-476X	E CAPACITOR	47uF 6.3V M	
C669	NCB31HK-103X	C CAPACITOR	0.01uF 50V K	
C682	NEAD1VM-475X	E CAPACITOR	4.7uF 35V M	
C683	NCB31CK-104X	C CAPACITOR	0.1uF 16V K	
C684	NEAD1CM-476X	E CAPACITOR	47uF 16V M	
C689	NEAD1CM-476X	E CAPACITOR	47uF 16V M	
C690	NBE20JM-106X	TA E CAPACITOR	10uF 6.3V M	
C693	NEAD1CM-476X	E CAPACITOR	47uF 16V M	
R501	NRSA63J-102X	MG RESISTOR	1kΩ 1/16W J	
R502	NRSA63J-102X	MG RESISTOR	1kΩ 1/16W J	
R503	NRSA63J-102X	MG RESISTOR	1kΩ 1/16W J	
R504	NRSA63J-101X	MG RESISTOR	100Ω 1/16W J	
R505	NRSA63J-101X	MG RESISTOR	100Ω 1/16W J	
R506	NRSA63J-473X	MG RESISTOR	47kΩ 1/16W J	
R507	NRSA63J-473X	MG RESISTOR	47kΩ 1/16W J	
R508	NRSA63J-473X	MG RESISTOR	47kΩ 1/16W J	
R509	NRSA63J-473X	MG RESISTOR	47kΩ 1/16W J	
R510	NRSA63J-101X	MG RESISTOR	100Ω 1/16W J	
R511	NRSA63J-102X	MG RESISTOR	1kΩ 1/16W J	
R512	NRSA63J-473X	MG RESISTOR	47kΩ 1/16W J	
R513	NRSA63J-102X	MG RESISTOR	1kΩ 1/16W J	
R514	NRSA63J-473X	MG RESISTOR	47kΩ 1/16W J	
R515	NRSA63J-473X	MG RESISTOR	47kΩ 1/16W J	
R516	NRSA63J-102X	MG RESISTOR	1kΩ 1/16W J	
R517	NRSA63J-101X	MG RESISTOR	100Ω 1/16W J	
R518	NRSA63J-101X	MG RESISTOR	100Ω 1/16W J	
R519	NRSA63J-101X	MG RESISTOR	100Ω 1/16W J	

△ Symbol No.	Part No.	Part Name	Description	Local	△ Symbol No.	Part No.	Part Name	Description	Local
R520	NRSA63J-101X	MG RESISTOR	100Ω 1/16W J		R615	NRSA63J-151X	MG RESISTOR	150Ω 1/16W J	
R521	NRSA63J-101X	MG RESISTOR	100Ω 1/16W J		R616	NRSA63J-103X	MG RESISTOR	10kΩ 1/16W J	
R522	NRSA63J-101X	MG RESISTOR	100Ω 1/16W J		R621	NRSA63J-470X	MG RESISTOR	47Ω 1/16W J	
R523	NRSA63J-101X	MG RESISTOR	100Ω 1/16W J		R622	NRSA63J-470X	MG RESISTOR	47Ω 1/16W J	
R525	NRSA63J-104X	MG RESISTOR	100kΩ 1/16W J		R623	NRSA63J-470X	MG RESISTOR	47Ω 1/16W J	
R526	NRSA63J-473X	MG RESISTOR	47kΩ 1/16W J		R624	NRSA63J-562X	MG RESISTOR	5.6kΩ 1/16W J	
R528	NRSA63J-473X	MG RESISTOR	47kΩ 1/16W J		R625	NRSA63J-473X	MG RESISTOR	47kΩ 1/16W J	
R530	NRSA63J-473X	MG RESISTOR	47kΩ 1/16W J		R626	NRSA63J-474X	MG RESISTOR	470kΩ 1/16W J	
R531	NRSA63J-473X	MG RESISTOR	47kΩ 1/16W J		R627	NRSA63J-153X	MG RESISTOR	15kΩ 1/16W J	
R532	NRSA63J-102X	MG RESISTOR	1kΩ 1/16W J		R628	NRSA63J-155X	MG RESISTOR	1.5MΩ 1/16W J	
R533	NRSA63J-101X	MG RESISTOR	100Ω 1/16W J		R629	NRSA63J-103X	MG RESISTOR	10kΩ 1/16W J	
R534	NRSA63J-101X	MG RESISTOR	100Ω 1/16W J		R630	NRSA63J-101X	MG RESISTOR	100Ω 1/16W J	
R535	NRSA63J-101X	MG RESISTOR	100Ω 1/16W J		R631	NRSA63J-101X	MG RESISTOR	100Ω 1/16W J	
R536	NRSA63J-101X	MG RESISTOR	100Ω 1/16W J		R632	NRSA63J-0R0X	MG RESISTOR	0Ω 1/16W J	
R537	NRSA63J-101X	MG RESISTOR	100Ω 1/16W J		R633	NRSA63J-0R0X	MG RESISTOR	0Ω 1/16W J	
R539	NRSA63J-473X	MG RESISTOR	47kΩ 1/16W J		R634	NRSA63J-0R0X	MG RESISTOR	0Ω 1/16W J	
R540	NRSA63J-473X	MG RESISTOR	47kΩ 1/16W J		R635	NRSA63J-101X	MG RESISTOR	100Ω 1/16W J	
R541	NRSA63J-101X	MG RESISTOR	100Ω 1/16W J		R636	NRSA63J-101X	MG RESISTOR	100Ω 1/16W J	
R542	NRSA63J-103X	MG RESISTOR	10kΩ 1/16W J		R637	NRSA63J-105X	MG RESISTOR	1MΩ 1/16W J	
R543	NRSA63J-101X	MG RESISTOR	100Ω 1/16W J		R638	NRSA63J-472X	MG RESISTOR	4.7kΩ 1/16W J	
R544	NRSA63J-101X	MG RESISTOR	100Ω 1/16W J		R639	NRSA63J-472X	MG RESISTOR	4.7kΩ 1/16W J	
R545	NRSA63J-103X	MG RESISTOR	10kΩ 1/16W J		R640	NRSA63J-472X	MG RESISTOR	4.7kΩ 1/16W J	
R546	NRSA63J-271X	MG RESISTOR	270Ω 1/16W J		R641	NRSA63J-472X	MG RESISTOR	4.7kΩ 1/16W J	
R547	NRSA63J-271X	MG RESISTOR	270Ω 1/16W J		R642	NRSA63J-103X	MG RESISTOR	10kΩ 1/16W J	
R548	NRSA63J-822X	MG RESISTOR	8.2kΩ 1/16W J		R651	NRSA63J-104X	MG RESISTOR	100kΩ 1/16W J	
R549	NRSA63J-472X	MG RESISTOR	4.7kΩ 1/16W J		R654	NRSA63J-470X	MG RESISTOR	47Ω 1/16W J	
R550	NRSA63J-472X	MG RESISTOR	4.7kΩ 1/16W J		R655	NRSA63J-103X	MG RESISTOR	10kΩ 1/16W J	
R551	NRSA63J-104X	MG RESISTOR	100kΩ 1/16W J		R656	NRSA63J-473X	MG RESISTOR	47kΩ 1/16W J	
R552	NRSA63J-104X	MG RESISTOR	100kΩ 1/16W J		R657	NRSA63J-222X	MG RESISTOR	2.2kΩ 1/16W J	
R553	NRSA63J-183X	MG RESISTOR	18kΩ 1/16W J		R668	NRSA63J-470X	MG RESISTOR	47Ω 1/16W J	
R554	NRSA63J-333X	MG RESISTOR	33kΩ 1/16W J		R675	NRSA63J-221X	MG RESISTOR	220Ω 1/16W J	
R555	NRSA63J-101X	MG RESISTOR	100Ω 1/16W J		R681	NRSA63J-682X	MG RESISTOR	6.8kΩ 1/16W J	
R556	NRSA63J-0R0X	MG RESISTOR	0Ω 1/16W J		R682	NRSA63J-222X	MG RESISTOR	2.2kΩ 1/16W J	
R557	NRSA63J-104X	MG RESISTOR	100kΩ 1/16W J		R683	NRSA63J-682X	MG RESISTOR	6.8kΩ 1/16W J	
R558	NRSA63J-104X	MG RESISTOR	100kΩ 1/16W J		R684	NRSA63J-822X	MG RESISTOR	8.2kΩ 1/16W J	
R559	NRSA63J-0R0X	MG RESISTOR	0Ω 1/16W J		R685	NRSA63J-682X	MG RESISTOR	6.8kΩ 1/16W J	
R560	NRSA63J-101X	MG RESISTOR	100Ω 1/16W J		R686	NRSA63J-123X	MG RESISTOR	12kΩ 1/16W J	
R561	NRSA63J-104X	MG RESISTOR	100kΩ 1/16W J		R687	NRSA63J-682X	MG RESISTOR	6.8kΩ 1/16W J	
R562	NRSA63J-392X	MG RESISTOR	3.9kΩ 1/16W J		R688	NRSA63J-182X	MG RESISTOR	1.8kΩ 1/16W J	
R563	NRSA63J-682X	MG RESISTOR	6.8kΩ 1/16W J		R689	NRSA63J-123X	MG RESISTOR	12kΩ 1/16W J	
R568	NRSA63J-102X	MG RESISTOR	1kΩ 1/16W J		R690	NRSA63J-333X	MG RESISTOR	33kΩ 1/16W J	
R569	NRSA63J-102X	MG RESISTOR	1kΩ 1/16W J		R691	NRSA63J-153X	MG RESISTOR	15kΩ 1/16W J	
R570	NRSA63J-102X	MG RESISTOR	1kΩ 1/16W J		L501	NQL114K-470X	INDUCITOR	47uH K	
R572	NRSA63J-225X	MG RESISTOR	2.2MΩ 1/16W J		L502	NQL114K-470X	INDUCITOR	47uH K	
R573	NRSA63J-102X	MG RESISTOR	1kΩ 1/16W J		L571	NQL114K-470X	INDUCITOR	47uH K	
R574	NRSA63J-470X	MG RESISTOR	47Ω 1/16W J		L572	NQL114K-470X	INDUCITOR	47uH K	
R575	NRSA63J-102X	MG RESISTOR	1kΩ 1/16W J		L621	NQL114K-470X	INDUCITOR	47uH K	
R576	NRSA63J-102X	MG RESISTOR	1kΩ 1/16W J		L622	NQL114K-470X	INDUCITOR	47uH K	
R577	NRSA63J-101X	MG RESISTOR	100Ω 1/16W J		L623	NQL114K-470X	INDUCITOR	47uH K	
R578	NRSA63J-473X	MG RESISTOR	47kΩ 1/16W J		L651	NQL114K-470X	INDUCITOR	47uH K	
R579	NRSA63J-222X	MG RESISTOR	2.2kΩ 1/16W J		L652	NQL114K-470X	INDUCITOR	47uH K	
R581	NRSA63J-203X	MG RESISTOR	20kΩ 1/16W J		L653	NQL114K-470X	INDUCITOR	47uH K	
R582	NRSA63J-203X	MG RESISTOR	20kΩ 1/16W J		CN501	QGB2027L1-22X	CONNECTOR	B-B (1-22)	
R583	NRSA63J-123X	MG RESISTOR	12kΩ 1/16W J		CN601	QGF0527F2-22W	CONNECTOR	FFC/FPC (1-22)	
R584	NRSA63J-123X	MG RESISTOR	12kΩ 1/16W J		TH501	NAD0028-103X	N THERMISTOR	10kΩ	
R585	NRSA63J-303X	MG RESISTOR	30kΩ 1/16W J		X501	NAX0385-001X	CRYSTAL	24.576MHz	
R586	NRSA63J-303X	MG RESISTOR	30kΩ 1/16W J		X571	NAX0375-001X	CRYSTAL	16.9344MHz	
R587	NRSA63J-473X	MG RESISTOR	47kΩ 1/16W J						
R588	NRSA63J-473X	MG RESISTOR	47kΩ 1/16W J						
R589	NRSA63J-103X	MG RESISTOR	10kΩ 1/16W J						
R590	NRSA63J-103X	MG RESISTOR	10kΩ 1/16W J						
R591	NRSA63J-103X	MG RESISTOR	10kΩ 1/16W J						
R592	NRSA63J-103X	MG RESISTOR	10kΩ 1/16W J						
R593	NRSA63J-4R7X	MG RESISTOR	4.7Ω 1/16W J						
R601	NRSA63J-823X	MG RESISTOR	82kΩ 1/16W J						
R602	NRSA63J-823X	MG RESISTOR	82kΩ 1/16W J						
R603	NRSA63J-334X	MG RESISTOR	330kΩ 1/16W J						
R604	NRSA63J-334X	MG RESISTOR	330kΩ 1/16W J						
R605	NRSA63J-220X	MG RESISTOR	22Ω 1/16W J						
R606	NRSA63J-220X	MG RESISTOR	22Ω 1/16W J						
R607	NRSA63J-823X	MG RESISTOR	82kΩ 1/16W J						
R608	NRSA63J-821X	MG RESISTOR	820Ω 1/16W J						
R609	NRSA63J-563X	MG RESISTOR	56kΩ 1/16W J						
R610	NRSA63J-101X	MG RESISTOR	100Ω 1/16W J						
R611	NRSA63J-103X	MG RESISTOR	10kΩ 1/16W J						
R612	NRSA63J-202X	MG RESISTOR	2kΩ 1/16W J						
R613	NRSA63J-102X	MG RESISTOR	1kΩ 1/16W J						
R614	NRSA63J-153X	MG RESISTOR	15kΩ 1/16W J						

Packing materials and accessories parts list

Block No. **M** **3** **M** **M**



Packing and Accessories

Block No. [M][3][M][M]

△ Symbol No.	Part No.	Part Name	Description	Local
A 1	GET0198-001A	INST BOOK	ENG CHI THA ARA	
A 2	GET0198-002A	INST BOOK	PER	
A 3	GET0198-003A	INSTALL MANUAL	ENG CHI THA ARA	
A 4	GET0198-004A	INSTALL MANUAL	PER	
A 5	GET0210-003A	DEMO MODE SHEET		
A 6	LVT1120-003A	MP3 GUIDE		
A 7	GET0213-002A	CAUTION SHEET		
A 8	VKZ4027-202	PLUG NUT		
A 9	VKH4871-001SS	MOUNT BOLT		
A 10	VKZ4328-001	LOCK NUT		
A 11	WNS5000Z	WASHER		
A 12	GE40130-002A	HOOK	(x2)	
A 13	FSJB3002-00C	HARD CASE		
A 14	GE20137-003A	MOUNTING SLEEVE		
A 15	GE20164-003A	TRIM PLATE		
A 17	RM-RK50	REMOCON UNIT		
A 18	-----	BATTERY		
A 19	QAM0308-001	16 CORD ASS		
KIT	SRW-200J	SCREW PARTS KIT	A8 A9 A10 A11 A12	
P 1	FSPG4002-001	POLY BAG		
P 2	QPA00801205	POLY BAG	8cm x 12cm	
P 3	FSYH4036-068	SHEET		
P 4	QPA01003003	POLY BAG	10cm x 30cm	
P 5	QPC03004315P	POLY BAG	30cm x 43cm	
P 6	GE31146-002A	CARTON		
P 7	GE10086-001A	EPS CUSHION	(x2)	

JVC



CD RECEIVER

KD-G805

ENGLISH

CD 收音組合機

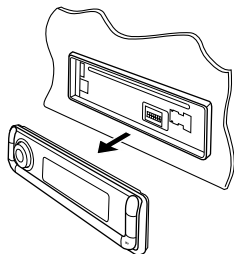
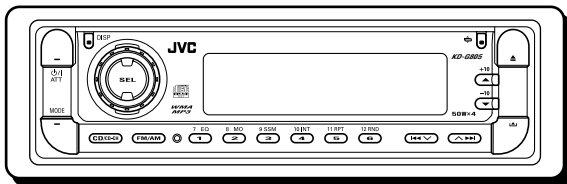
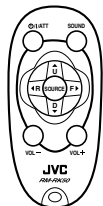
KD-G805

中
文

เครื่องเล่น CD

KD-G805

ไทย



COMPACT
disc
DIGITAL AUDIO
TEXT

MP3 WMA

- This unit is equipped with the display demonstration. To cancel it, see page 8.
- 本機具有螢幕演示功能。要取消該功能，請參閱第 8 頁。
- เครื่องนี้ได้รับการติดตั้งการสาธิตภาพประกอบ หากต้องการยกเลิก โปรดดู หน้า 8

For installation and connections, refer to the separate manual.

有關安裝和連接方法，分別參閱操作手冊。

กรุณาดูคู่มือที่แยกต่างหาก ในการติดตั้งและการเชื่อมต่อ

INSTRUCTIONS

使用說明書

คำแนะนำ

GET0198-001A
[U]

IMPORTANT FOR LASER PRODUCTS

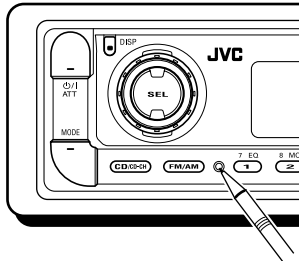
1. CLASS 1 LASER PRODUCT
2. **CAUTION:** Do not open the top cover. There are no user serviceable parts inside the unit; leave all servicing to qualified service personnel.
3. **CAUTION:** Visible and invisible laser radiation when open and interlock failed or defeated. Avoid direct exposure to beam.
4. REPRODUCTION OF LABEL: CAUTION LABEL, PLACED OUTSIDE THE UNIT.

CAUTION: Visible and invisible laser radiation when open and interlock failed or defeated. AVOID DIRECT EXPOSURE TO BEAM.	ADVARSEL: Synlig og usynlig laserstråling når maskinen er åben eller interlocken fejler. Undgå direkte eksponering til strålingen.	VARNING: Synlig och osynlig laserstråling när den öppnas och spärrar är urkopplad. Betrakta ej strålen.	VARO: Avtaavessa ja suojaokulutus ohjeittuna tai viiallisena olet alittina näkyvälle ja näkymättömälle lasersäteilylle. Vältä säteen kohdistumista suoraan itseesi. (f)
--	---	--	--

How to reset your unit

Press the reset button on the control panel using a ball-point pen or similar tool.

This will reset the built-in microcomputer.

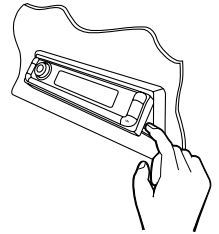


Note:

Your preset adjustments—such as preset channels or sound adjustments—will also be erased.

CAUTION:

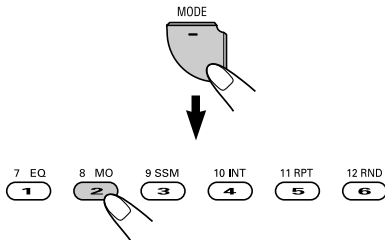
NEVER insert your finger in between the control panel and the unit, as it may get caught or hurt. (See page 32.)



How to use the MODE button

If you press MODE, the unit goes into functions mode, then the number buttons and ▲/▼ buttons work as different function buttons.

Ex.: When number button 2 works as MO (monaural) button.



Time countdown indicator

To use these buttons for original functions again after pressing **MODE**, wait for 5 seconds without pressing any of these buttons until the functions mode is cleared.

- Pressing **MODE** again also clears the functions mode.

Thank you for purchasing a JVC product. Please read all instructions carefully before operation, to ensure your complete understanding and to obtain the best possible performance from the unit.

CONTENTS

How to reset your unit	2	MP3/WMA OPERATIONS	18
How to use the MODE button	2	Playing a disc	18
LOCATION OF THE BUTTONS	4	Locating a file or a particular portion on a disc	19
Control panel	4	Selecting the playback modes	21
Remote controller	5	SOUND ADJUSTMENTS	23
Preparing the remote controller	6	Adjusting the sound	23
BASIC OPERATIONS	7	Selecting preset sound modes (iEQ: intelligent equalizer)	24
Turning on the power	7	Storing your own sound adjustments	25
Canceling the display demonstration	8	OTHER MAIN FUNCTIONS	26
Setting the clock	9	Changing the general settings (PSM)	26
RADIO OPERATIONS	10	Assigning names to the sources	31
Listening to the radio	10	Changing the control panel angle	32
Storing stations in memory	11	Detaching the control panel	33
Tuning in to a preset station	12	CD CHANGER OPERATIONS	34
CD OPERATIONS	13	Playing discs	34
Playing a CD	13	Selecting the playback modes	37
Locating a track or a particular portion on a CD	14	EXTERNAL COMPONENT OPERATIONS ..	39
Selecting CD playback modes	15	Playing an external component	39
Playing a CD Text	16	ADDITIONAL INFORMATION	40
Prohibiting disc ejection	16	TROUBLESHOOTING	41
MP3/WMA INTRODUCTION	17	MAINTENANCE	44
What are MP3/WMA?	17	Handling discs	44
How are MP3/WMA files recorded and played back?	17	SPECIFICATIONS	45

BEFORE USE

*For safety....

- Do not raise the volume level too much, as this will block outside sounds, making driving dangerous.
- Stop the car before performing any complicated operations.

*Temperature inside the car....

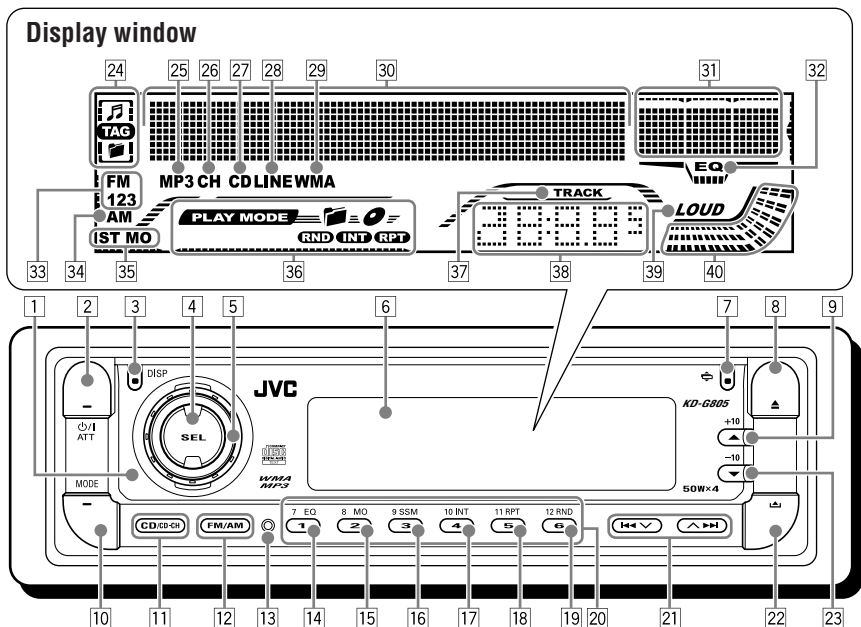
If you have parked the car for a long time in hot or cold weather, wait until the temperature in the car becomes normal before operating the unit.



LOCATION OF THE BUTTONS

ENGLISH

Control panel



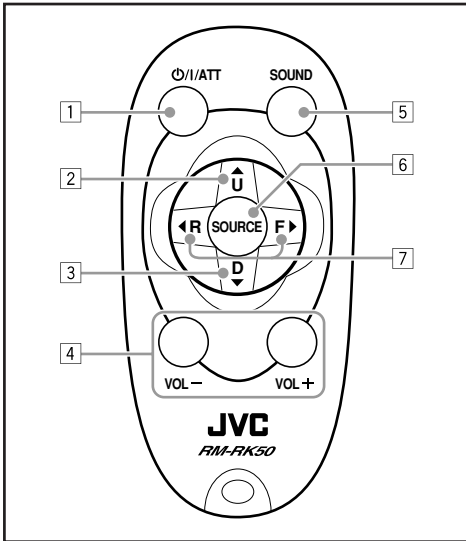
- 1 Remote sensor
- 2 ⏻/ATT (standby/on attenuator) button
- 3 DISP (display) button
- 4 SEL (select) button
- 5 Control dial
- 6 Display window
- 7 ↻ (angle) button
- 8 ▲ (eject) button
- 9 ▲ (up) button
+10 button
- 10 MODE button
- 11 CD/CD-CH (CD changer) button
- 12 FM/AM button
- 13 Reset button
- 14 EQ (equalizer) button
- 15 MO (monaural) button
- 16 SSM (Strong-station Sequential Memory) button
- 17 INT (intro) button
- 18 RPT (repeat) button
- 19 RND (random) button
- 20 Number buttons
- 21 ⏮ ⏪ / ⏩ ⏭ buttons
- 22 ⏴ (control panel release) button
- 23 ▼ (down) button
-10 button

Display window

- 24 Disc information indicators
🎵 (track/file), TAG (ID3 Tag), 📁 (folder)
- 25 MP3 indicator
- 26 CH (CD changer) indicator
- 27 CD indicator
- 28 LINE indicator
- 29 WMA indicator
- 30 Main display
- 31 Equalizer pattern indicator
Audio level indicator
- 32 EQ (equalizer) indicator
- 33 FM band indicators
FM1, FM2, FM3
- 34 AM band indicator
- 35 Tuner reception indicators
ST (stereo), MO (monaural)
- 36 Play mode indicators
📁 (folder), Ⓛ (disc), RND (random),
INT (intro), RPT (repeat)
- 37 TRACK indicator
- 38 Source/clock display
- 39 LOUD (loudness) indicator
- 40 Audio level indicator
Volume level indicator



Remote controller



- 1 • Turns on the unit if pressed when the unit is turned off.
 - Turns off the unit if pressed and held until “SEE YOU” appears on the display.
 - Drops the volume level in a moment if pressed briefly.
Press again to resume the volume.
 - 2 • Selects the band while listening to the radio. Each time you press the button, the band changes.
 - Skips to the first file of the next folder while listening to an MP3 or a WMA disc. Each time you press the button, you can move to the next folder and start playing the first file.
 - While playing an MP3 disc on an MP3-compatible CD changer;
 - Skips to the next disc if pressed briefly.
 - Skips to the next folder if pressed and held.
- Note:** While playing a CD on a CD changer, this always skips to the next disc.

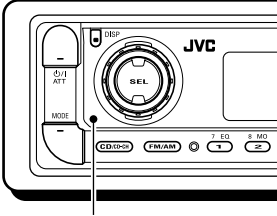
- 3 • Selects the preset stations while listening to the radio. Each time you press the button, the preset station number increases, and the selected station is tuned in.
 - Skips to the first file of the previous folder while listening to an MP3 or a WMA disc. Each time you press the button, you can move to the previous folder and start playing the first file.
 - While playing an MP3 disc on an MP3-compatible CD changer;
 - Skips to the previous disc if pressed briefly.
 - Skips to the previous folder if pressed and held.
- Note:** While playing a CD on a CD changer, this always skips to the previous disc.
- 4 Functions the same as the control dial on the main unit.
- Note:** These buttons do not function for the preferred setting mode (PSM) adjustment.

- 5 Selects the sound mode (iEQ: intelligent equalizer). Each time you press the button, the sound mode (iEQ) changes.
- 6 Selects the source. Each time you press the button, the source changes.
- 7 • Searches for stations while listening to the radio.
- Fast-forwards or reverses the track/file if pressed and held while listening to a disc.
- Skips to the beginning of the next track/file or goes back to the beginning of the current (or previous) tracks/files if pressed briefly while listening to a disc.

Preparing the remote controller

Before using the remote controller:

- Aim the remote controller directly at the remote sensor on the main unit. Make sure there is no obstacle in between.



Remote sensor

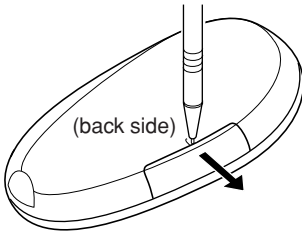
- Do not expose the remote sensor to strong light (direct sunlight or artificial lighting).

Installing the battery

When the controllable range or effectiveness of the remote controller decreases, replace the battery.

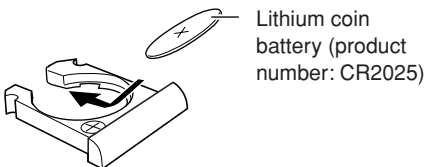
1. Remove the battery holder.

- 1) Push out the battery holder in the direction indicated by the arrow using a ball-point pen or a similar tool.
- 2) Remove the battery holder.



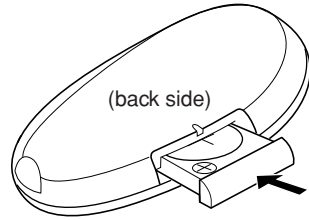
2. Place the battery.

Slide the battery into the holder with the + side facing upwards so that the battery is fixed in the holder.



3. Return the battery holder.

Insert again the battery holder by pushing it until you hear a clicking sound.

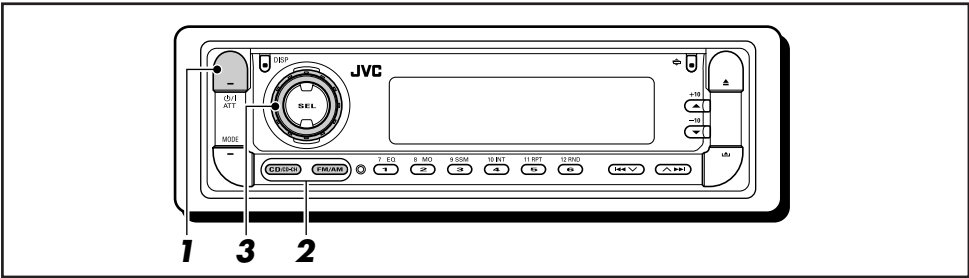


WARNING:

- Store the battery in a place where children cannot reach.
If a child accidentally swallows the battery, consult a doctor immediately.
- Do not recharge, short, disassemble, or heat the battery or dispose of it in a fire.
Doing any of these things may cause the battery to give off heat, crack, or start a fire.
- Do not leave the battery with other metallic materials.
Doing this may cause the battery to give off heat, crack, or start a fire.
- When throwing away or saving the battery, wrap it in tape and insulate; otherwise, the battery may start to give off heat, crack, or start a fire.
- Do not poke the battery with tweezers or similar tools.
Doing this may cause the battery to give off heat, crack, or start a fire.

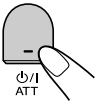
CAUTION:

DO NOT leave the remote controller in a place (such as dashboards) exposed to direct sunlight for a long time. Otherwise, it may be damaged.



Turning on the power

1 Turn on the power.



Note on One-Touch Operation:

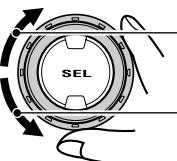
When you select a source in step 2 below, the power automatically comes on. You do not have to press this button to turn on the power.

2 Select the source.



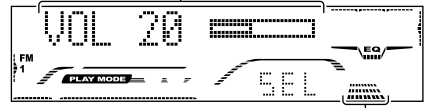
- To operate the tuner (FM or AM), see pages 10 – 12.
- To play a CD, see pages 13 – 16.
- To play an MP3/WMA disc, see pages 18 – 22.
- To operate the CD changer, see pages 34 – 38.
- To operate the external component (LINE IN), see page 39.

3 Adjust the volume.



- To increase the volume
- To decrease the volume

Volume level appears.



Volume level indicator

4 Adjust the sound as you want. (See pages 23 – 25.)

To drop the volume in a moment

Press ϕ/I ATT briefly while listening to any source. "ATT" starts flashing on the display, and the volume level will drop in a moment. To resume the previous volume level, press the button briefly again.

- If you turn the control dial, you can also restore the sound.

To turn off the power

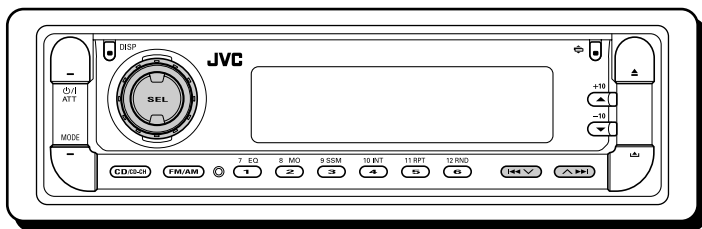
Press and hold ϕ/I ATT for more than one second.

"SEE YOU" appears, then the unit turns off.

- **If you turn off the power while listening to a disc**, disc play will start from where playback has been stopped previously, next time you turn on the power.

CAUTION on Volume Setting:

Discs produce very little noise compared with other sources. If the volume level is adjusted for the tuner, for example, the speakers may be damaged by the sudden increase in the output level. Therefore, lower the volume before playing a disc and adjust it as required during playback.



Canceling the display demonstration

When shipped from the factory, display demonstration has been activated, and starts automatically when no operations are done for about 20 seconds.

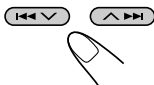
- It is recommended to cancel the display demonstration before you use the unit for the first time.

To cancel the display demonstration, follow the procedure below:

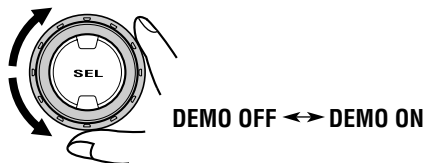
- 1 Press and hold SEL (select) for more than 2 seconds so that one of the PSM items appears on the display. (PSM: see page 27.)**



- 2 Select "DEMO MODE" if not shown on the display.**



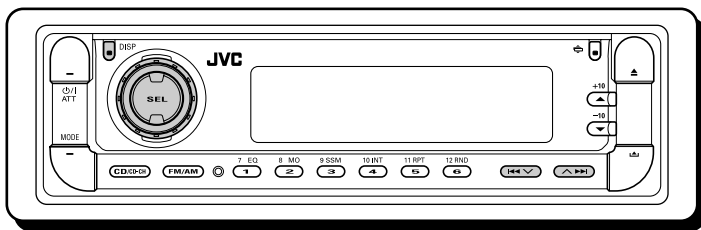
- 3 Select "DEMO OFF."**



- 4 Finish the setting.**



To activate the display demonstration, repeat the same procedure and select "DEMO ON" in step 3.



Setting the clock

- 1 Press and hold SEL (select) for more than 2 seconds so that one of the PSM items appears on the display. (PSM: see page 27.)



4 Finish the setting.



Note:

To show the clock time on the display, see page 28.

To check other information during play, press DISP (display).

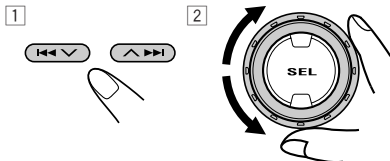


Each time you press the button, the other information will be shown on the lower part of the display. (See page 28 for details.)

- Pressing DISP (display) with the unit turned off will show the clock time for about 5 seconds.

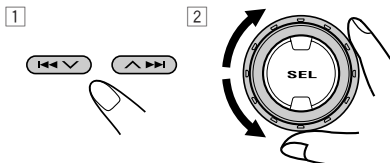
2 Set the hour.

- 1 Select "CLOCK HOUR" if not shown on the display.
- 2 Adjust the hour.



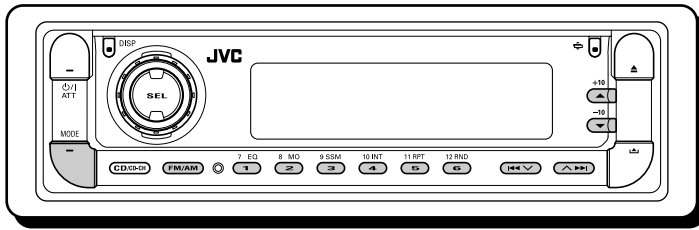
3 Set the minute.

- 1 Select "CLOCK MINUTE."
- 2 Adjust the minute.





RADIO OPERATIONS



Listening to the radio

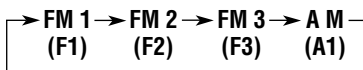
You can use either automatic searching or manual searching to tune in to a particular station.

Searching for a station automatically: Auto search

1 Select the band (FM1 – 3, AM).

FM/AM

Each time you press the button, the band changes as follows:



Selected band appears*.



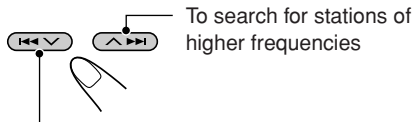
Lights up when receiving an FM stereo broadcast with sufficient signal strength.

* When "CLOCK DISP" is set to "CLK DISP ON" (see page 28), the current indication will soon change to the clock time.

Note:

This receiver has three FM bands (FM1, FM2, FM3). You can use any one of them to listen to an FM broadcast.

2 Start searching for a station.



To search for stations of higher frequencies

To search for stations of lower frequencies

When a station is received, searching stops.

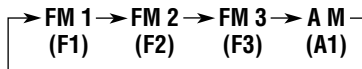
To stop searching before a station is received, press the same button you have pressed for searching.

Searching for a station manually: Manual search

1 Select the band (FM1 – 3, AM).

FM/AM

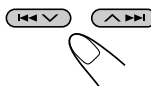
Each time you press the button, the band changes as follows:



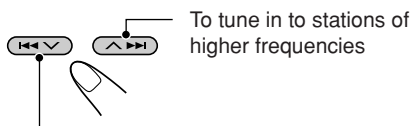
Note:

This receiver has three FM bands (FM1, FM2, FM3). You can use any one of them to listen to an FM broadcast.

2 Press and hold ^ >>> or <<< ^ until "M.SEEK" (manual seek) appears on the display.



3 Tune in to a station you want while “M.SEEK” (manual seek) is still on the display.



To tune in to stations of higher frequencies

To tune in to stations of lower frequencies

- If you release your finger from the button, the manual mode will automatically turn off after 5 seconds.
- If you hold down the button, the frequency keeps changing (in 50 kHz intervals for FM and 9 kHz for AM) until you release the button.

Storing stations in memory

You can use one of the following two methods to store broadcasting stations in memory.

- Automatic preset of FM stations: SSM (Strong-station Sequential Memory)
- Manual preset of both FM and AM stations

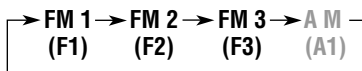
FM station automatic preset: SSM

You can preset 6 local FM stations in each FM band (FM1, FM2, and FM3).

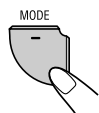
1 Select the FM band (FM1 – 3) you want to store FM stations into.



Each time you press the button, the band changes as follows:



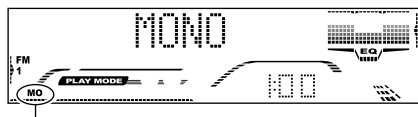
When an FM stereo broadcast is hard to receive:



1 Press MODE to enter the functions mode while listening to an FM stereo broadcast.



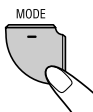
2 Press MO (monaural), while “MODE” is still on the display, so that “MONO” appears on the display. Each time you press the button, the monaural mode turns on and off alternately.



MO (monaural) indicator

When the MO indicator is lit on the display, the sound you hear becomes monaural but the reception will be improved.

2 Press MODE to enter the functions mode.



3 Press and hold SSM for about 2 seconds.



“SSM” appears, then disappears when automatic preset is over.

Local FM stations with the strongest signals are searched and stored automatically in the band number you have selected (FM1, FM2, or FM3). These stations are preset in the number buttons —No.1 (lowest frequency) to No.6 (highest frequency).

When automatic preset is over, the station stored in number button 1 will be automatically tuned in.

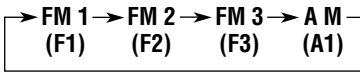
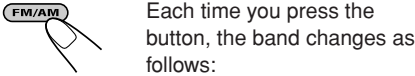


Manual preset

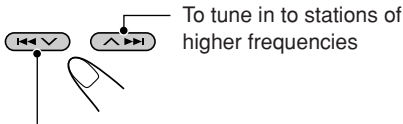
You can preset up to 6 stations in each band (FM1, FM2, FM3, and AM) manually.

Ex.: Storing FM station of 92.5 MHz into the preset number 1 of the FM1 band.

1 Select the band (FM1 – 3, AM) you want to store stations into (in this example, FM1).



2 Tune in to a station (in this example, of 92.5 MHz).



To tune in to stations of lower frequencies



3 Press and hold the number button (in this example, 1) for more than 2 seconds.



Preset number flashes for a while.



4 Repeat the above procedure to store other stations into other preset numbers.

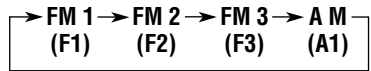
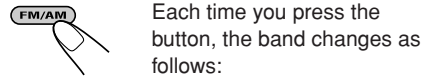
Notes:

- A previously preset station is erased when a new station is stored in the same preset number.
- Preset stations are erased when the power supply to the memory circuit is interrupted (for example, during battery replacement). If this occurs, preset the stations again.

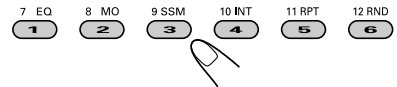
Tuning in to a preset station

You can easily tune in to a preset station. Remember that you must store stations first. If you have not stored them yet, see “Storing stations in memory” on pages 11 and 12.

1 Select the band (FM1 – 3, AM).

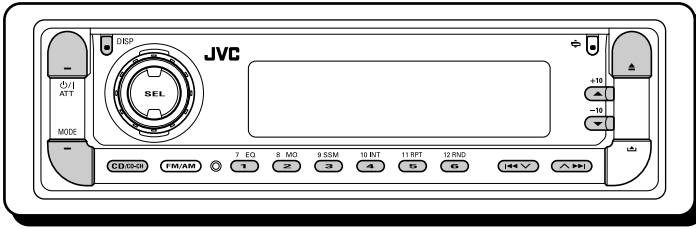


2 Select the number (1 – 6) for the preset station you want.



Note:

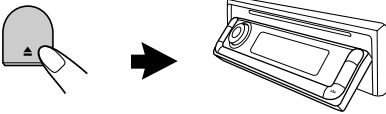
You can also use the ▲ (up) or ▼ (down) button on the unit to select the next or previous preset stations. Each time you press the ▲ (up) or ▼ (down) button, the next or previous preset station is tuned in.



Refer to “MP3/WMA OPERATIONS” on pages 18 to 22 for operating MP3/WMA discs.

Playing a CD

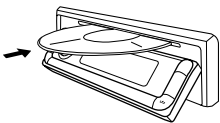
1 Open the control panel.



Note on One-Touch Operation:

When a CD is already in the loading slot, pressing CD/CD-CH turns on the unit and starts playback automatically.

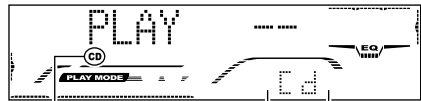
2 Insert a CD into the loading slot.



The unit draws the CD, the control panel goes back to the previous position (see page 32), and playback starts automatically.

All tracks will be played repeatedly until you stop playback.

The display changes to show the following:



CD indicator

Current source indication*

Total playing time of the inserted disc

Total track number of the inserted disc



Elapsed playing time

Current track number



* When “CLOCK DISP” is set to “CLK DISP ON” (see page 28), the current indication will soon change to the clock time.

Notes:

- When a CD is inserted upside down, the control panel moves down, the CD automatically ejects from the loading slot. The source changes to the previously selected source.
- If there is no CD in the loading slot, you cannot select CD as the source.
- If the current disc is a CD Text, disc title/performer and then track title will automatically appear.



To stop play and eject the CD

Press ▲.

CD play stops and the control panel moves down. The CD automatically ejects from the loading slot.

- If you change the source or turn the power off, CD play also stops (without ejecting the CD). Next time you select “CD” as the source, CD play starts from where playback has been stopped previously.

To return the control panel to its previous position, press ▲ again.

- If you keep the loading slot fully open for 1 minute, (beeps sound when the “BEEP SWITCH” is set to “BEEP ON”—see page 29) the control panel automatically returns to its previous position.

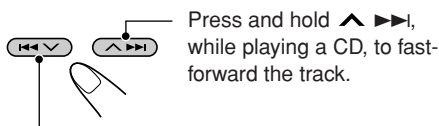
Be careful not to get the disc or your finger caught in between the control panel and the unit.

Notes:

- If the ejected disc is not removed for about 15 seconds, the disc is automatically inserted again into the loading slot to protect it from dust. (Disc play will not start this time.)
- You can eject the disc even when the unit is turned off.

Locating a track or a particular portion on a CD

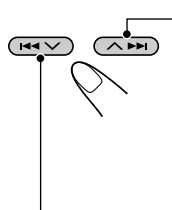
To fast-forward or reverse the track



Press and hold ▲ ►►, while playing a CD, to fast-forward the track.

Press and hold ◀◀ ▼, while playing a CD, to reverse the track.

To go to the next or previous tracks



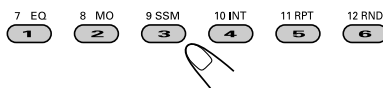
Press ▲ ►► briefly, while playing a CD, to go ahead to the beginning of the next track. Each time you press the button consecutively, the beginning of the next tracks is located and played back.

Press ◀◀ ▼ briefly, while playing a CD, to go back to the beginning of the current track.

Each time you press the button consecutively, the beginning of the previous tracks is located and played back.

To go to a particular track directly

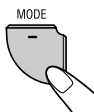
Press the number button corresponding to the track number to start its playback.



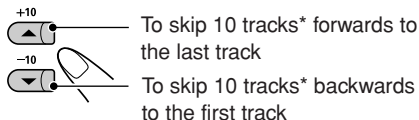
- To select a track number from 1 – 6:
Press 1 (7) – 6 (12) briefly.
- To select a track number from 7 – 12:
Press and hold 1 (7) – 6 (12) for more than one second.

To go to a track quickly (+10 and –10 buttons)

- 1 Press MODE to enter the functions mode while playing a CD.



- 2 Press +10 or –10.



To skip 10 tracks* forwards to the last track

To skip 10 tracks* backwards to the first track

- * First time you press +10 or –10 button, the track skips to the nearest higher or lower track with a track number of multiple ten (ex. 10th, 20th, 30th).

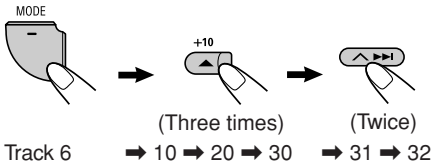
Then each time you press the button, you can skip 10 tracks (see “How to use the +10 and –10 buttons” on page 15).

- After the last track, the first track will be selected, and vice versa.

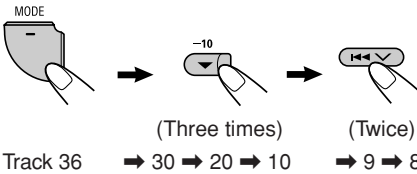


How to use the +10 and -10 buttons

• Ex. 1: To select track number 32 while playing track number 6

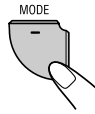


• Ex. 2: To select track number 8 while playing track number 36

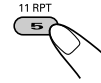


To play back tracks repeatedly (Track Repeat Play)

You can play back the current track repeatedly.

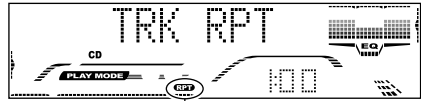


1 Press MODE to enter the functions mode while playing a CD.



2 Press RPT (repeat), while "MODE" is still on the display, so that "TRK RPT" appears on the display.

Each time you press the button, track repeat play mode turns on and off alternately.



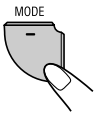
RPT indicator

When track repeat play is turned on, the RPT indicator lights up on the display. The current track starts playing repeatedly.

Selecting CD playback modes

To play back tracks at random (Disc Random Play)

You can play back all tracks on the CD at random.



1 Press MODE to enter the functions mode while playing a CD.



2 Press RND (random), while "MODE" is still on the display, so that "DISC RND" appears on the display. Each time you press the button, disc random play mode turns on and off alternately.

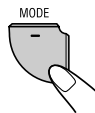


(disc) and RND indicators

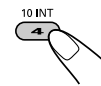
When disc random play is turned on, the (disc) and RND indicators light up on the display. A track randomly selected starts playing.

To play back only intros (Track Intro Scan)

You can play back the first 15 seconds of each track sequentially.



1 Press MODE to enter the functions mode while playing a CD.



2 Press INT (intro), while "MODE" is still on the display, so that "TRK INT" appears on the display.

Each time you press the button, track intro scan mode turns on and off alternately.



INT indicator

When track intro scan is turned on, the INT indicator lights up on the display. The first 15 seconds of each track is played sequentially.



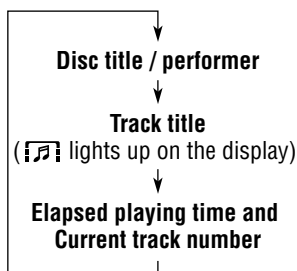
Playing a CD Text

In a CD Text, some information about the disc (its disc title, performer, and track title) is recorded. This CD Text information will be shown automatically when you play a CD Text.

To change the CD Text information manually, select text display mode while playing a CD Text.



Press DISP (display) repeatedly. Each time you press the button, the display changes as follows:



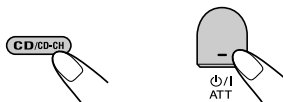
Notes:

- The display shows up to 12 characters at one time and scrolls if there are more than 12 characters. See also “To select the scroll mode—SCROLL MODE” on page 29. Some characters or symbols will not be shown (will be blanked or substituted) on the display.
- If no name is assigned to the CD, “NO NAME” will appear. To assign a name to an audio CD, see page 31.
- If no disc title/performer or no track title is recorded for the CD Text, “NO NAME” will appear.
- When track title is shown, TRACK indicator and current track number also appear on the lower part of the display.

Prohibiting disc ejection

You can prohibit disc ejection and can lock a disc in the loading slot.

While pressing CD/CD-CH, press and hold ϕ /I ATT for more than 2 seconds.



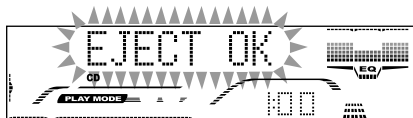
“NO EJECT” flashes on the display for about 5 seconds, and the disc is locked and cannot be ejected.



To cancel the prohibition and unlock the disc

While pressing CD/CD-CH, press and hold ϕ /I ATT again for more than 2 seconds.

“EJECT OK” flashes on the display for about 5 seconds, and the disc is unlocked.





What are MP3/WMA?

MP3 is an abbreviation of Motion Picture Experts Group (or MPEG) Audio Layer 3. MP3 is simply a file format with a data compression ratio of 1:10 (128 Kbps*).

WMA (Windows Media® Audio) is the digital audio compression format developed by Microsoft Corporation.

* *Bit rate is the average number of bits that one second of audio data will consume. The unit used is Kbps. To get a better audio quality, choose a higher bit rate. The most popular bit rate for encoding is 128 Kbps.*

- For details information about the MP3/WMA discs, refer to “A Guide to MP3/WMA” (separate volume).

Compatible with ID3 Tag

Extra information data such as album title, performer name, song title, recording year, music genre and a brief comment can be stored within an MP3/WMA file.

This unit can show both ID3v1 (Version 1) and ID3v2 (Version 2) tags on the display. (See page 19.)

- Some characters cannot be shown correctly.
- If both ID3v1 and ID3v2 are recorded on a disc, ID3v2 information will be shown.

How are MP3/WMA files recorded and played back?

MP3/WMA “files (tracks)” can be recorded in “folders”—in PC terminology.

During recording, the files and folders can be arranged in a way similar to arranging files and folders of computer data.

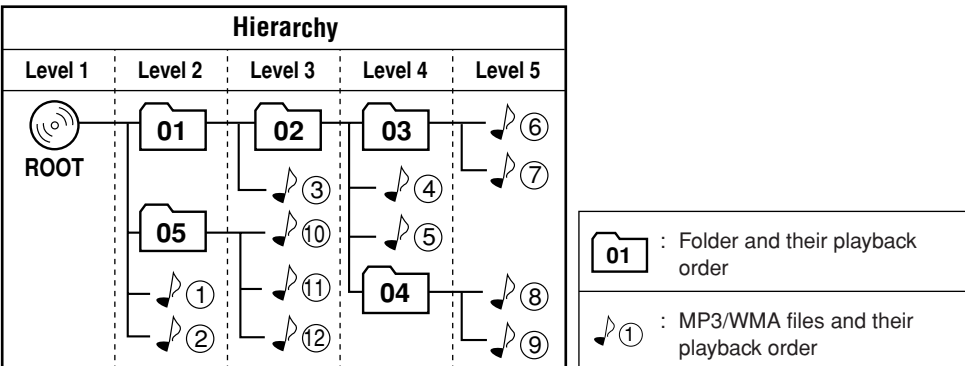
“Root” is similar to the root of a tree. Every file and folder can be linked to and be accessed from the root.

The illustration below shows an example of how MP3/WMA files are recorded on a CD-R or CD-RW, how they are played back, and how they are searched for on this unit.

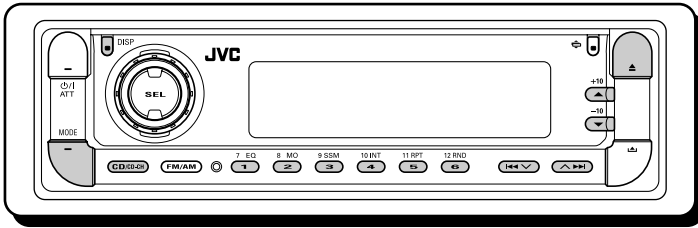
Notes:

- This unit cannot read or play an MP3 file without the extension code <.mp3> and a WMA track without the extension code <.wma>.
- This unit is not compatible with MP3 files encoded with Layer 1 and Layer 2 formats.
- This unit is not compatible with WMA files which are not based upon Windows Media® Audio.
- This unit is not compatible with Playlist**.

** A playlist is a simple text file, used on a PC, which enables users to make their own playback order without physically rearranging the files.



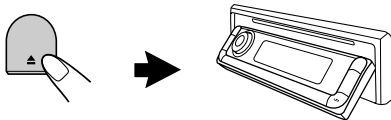
• Microsoft and Windows Media are either registered trademarks or trademarks of Microsoft Corporation in the United States and/or other countries.



Refer also to “CD OPERATIONS” on pages 13 to 16.

Playing a disc

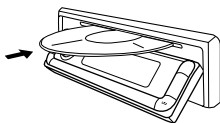
1 Open the control panel.



Note on One-Touch Operation:

When a disc is already in the loading slot, pressing CD/CD-CH turns on the unit and starts playback automatically.

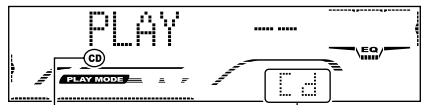
2 Insert a disc into the loading slot.



The unit draws the disc, the control panel goes back to the previous position (see page 32), and playback starts automatically.

All files will be played repeatedly until you stop playback.

The display changes to show the following:



CD indicator

Current source indication*1



Total folder number

Total file number



MP3 or WMA indicator*2

Ex.: When the disc contains 19 folders and 144 MP3/WMA files

*1 When “CLOCK DISP” is set to “CLK DISP ON” (see page 28), the current indication will soon change to the clock time.

*2 WMA or MP3 indicator lights up depending on the first detected file.

Notes:

- MP3/WMA discs require a longer readout time. (It differs due to the complexity of the folder/file configuration.)
- When playback starts, folder and file names (or ID3 tags) will automatically appear. (See also page 19.)
- If you change the source or turn the power off, disc playback stops (without ejecting the disc). Next time you select the CD player as the source or turn the power on, disc play starts from where playback has been stopped previously.

To stop play and eject the disc

Press ▲.

Playback stops and the control panel moves down. The disc automatically ejects from the loading slot.

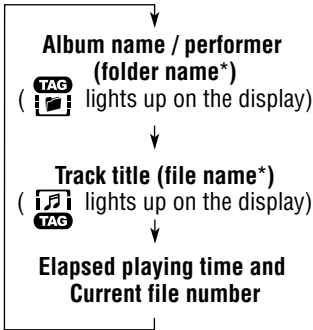
To change the display information

While playing back an MP3/WMA file, you can change the disc information shown on the display.



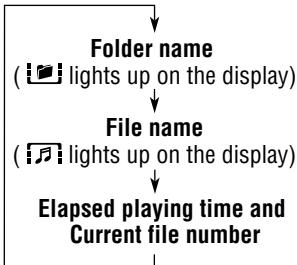
Press DISP (display) repeatedly. Each time you press the button, the display changes to show the following:

- When “TAG DISPLAY” is set to “TAG DISP ON” (initial setting: see page 30)



* If ID3 tags are not recorded, folder name and file name appear. In this case, the TAG indicator will not light up on the display.

- When “TAG DISPLAY” is set to “TAG DISP OFF”

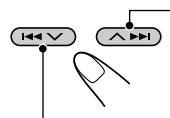


Notes:

- The display shows up to 12 characters at a time and scrolls if there are more than 12 characters. See also “To select the scroll mode—SCROLL MODE” on page 29.
- When file name is shown, TRACK indicator and current file number also appear on the lower part of the display.

Locating a file or a particular portion on a disc

To fast-forward or reverse the file



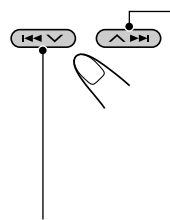
Press and hold ▲▶▶ while playing a disc, to fast-forward the file.

Press and hold ◀◀▼ while playing a disc, to reverse the file.

Note:

During this operation, you can only hear intermittent sounds. (The elapsed playing time also changes intermittently on the display.)

To skip to the next or previous files

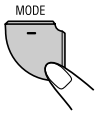


Press ▲▶▶ briefly while playing, to skip ahead to the beginning of the next file. Each time you press the button consecutively, the beginning of the next files is located and played back.

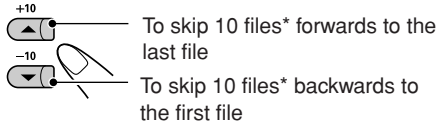
Press ◀◀▼ briefly while playing, to skip back to the beginning of the current file. Each time you press the button consecutively, the beginning of the previous files is located and played back.

To go to a particular file quickly within the current folder (+10 and -10 buttons)

- 1 Press MODE to enter the functions mode while playing a disc.



- 2 Press +10 or -10.



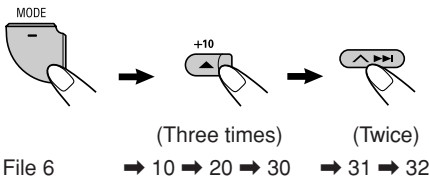
* First time you press +10 or -10 button, the file skips to the nearest higher or lower file with a file number of multiple ten (ex. 10th, 20th, 30th).

Then each time you press the button, you can skip 10 files (see "How to use the +10 and -10 buttons" below).

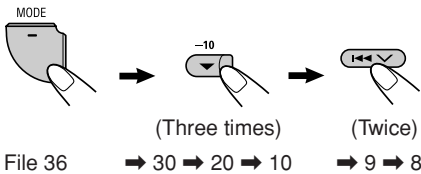
- After the last file, the first file will be selected, and vice versa.

How to use the +10 and -10 buttons

- Ex. 1: To select file number 32 while playing file number 6



- Ex. 2: To select file number 8 while playing file number 36



To go to a particular folder directly

IMPORTANT:

To directly select the folders using the number button(s), it is required that folders are assigned 2 digit numbers at the beginning of their folder names. (This can only be done during the recording of CD-Rs or CD-RWs.)

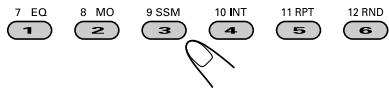
Ex.: If folder name is "01 ABC"

- Press 1 to go to Folder 01 ABC. If folder name is "1 ABC," pressing 1 does not work.

If folder name is "12 ABC"

- Press and hold 6 (12) to go to Folder 12 ABC.

Press the number button corresponding to the folder number to start playing the first file in the selected folder.



- To select a folder number from 01 – 06: Press 1 (7) – 6 (12) briefly.
- To select a folder number from 07 – 12: Press and hold 1 (7) – 6 (12) for more than one second.

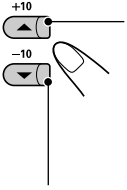
Notes:

- If indicator flashes on the display after you have selected a folder, it means that the folder does not contain any MP3/WMA files.
- You cannot directly select a folder with a number greater than 12.

To select a particular file in a folder, press

▲ ►►► or ◀◀◀ ▼ after selecting the folder.

To skip to the next or previous folder



Press ▲ (up) while playing a disc to skip to the next folder. Each time you press the button consecutively, the next folder is located (and the first file in the folder starts playing, if recorded).

Press ▼ (down) while playing a disc to skip back to the previous folder.

Each time you press the button consecutively, the previous folder is located (and the first file in the folder starts playing, if recorded).

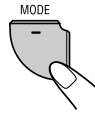
Note:

If the folder does not contain any MP3/WMA files, it is skipped.

Selecting the playback modes

To play back files at random (Folder Random/Disc Random Play)

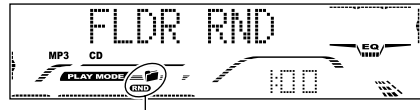
You can play back all files of the current folder or all files on the disc at random.




1 Press MODE to enter the functions mode while playing a disc.





2 Press RND (random), while "MODE" is still on the display, so that "FLDR RND" or "DISC RND" appears on the display. Each time you press the button, the random play mode changes as follows:



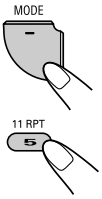
 (folder) and RND indicators

Ex.: When you select "FLDR RND" while listening to an MP3 file

Mode	Active indicator	Plays at random
FLDR RND	 and RND indicators light up.	All files of the current folder, then files of the next folder and so on.
DISC RND	 and RND indicators light up.	All files on the disc.

To play back files repeatedly (Track Repeat/Folder Repeat Play)

You can play back the current file or all the files in the current folder repeatedly.



- 1 Press MODE to enter the functions mode while playing a disc.
- 2 Press RPT (repeat), while "MODE" is still on the display, so that "TRK RPT" or "FLDR RPT" appears on the display. Each time you press the button, the repeat play mode changes as follows:

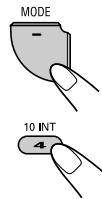


RPT indicator

Ex.: When you select "TRK RPT" while listening to an MP3 file

To play back only intros (Track Intro Scan/Folder Intro Scan)

You can play back the first 15 seconds of each file sequentially.



- 1 Press MODE to enter the functions mode while playing a disc.
- 2 Press INT (intro), while "MODE" is still on the display, so that "TRK INT" or "FLDR INT" appears on the display. Each time you press the button, the intro scan mode changes as follows:



INT indicator

Ex.: When you select "TRK INT" while listening to an MP3 file

Mode	Active indicator	Plays repeatedly
TRK RPT	RPT indicator lights up.	The current (or specified) file.
FLDR RPT	Folder icon and RPT indicators light up.	All files of the current (or specified) folder.

Mode	Active indicator	Plays the beginnings (15 seconds) of
TRK INT	INT indicator lights up.	All files on the current disc.
FLDR INT	Folder icon and INT indicators light up.	The first file of every folder of the current disc.



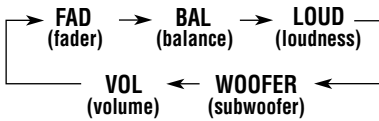
Adjusting the sound

You can adjust the sound characteristics to your preference.

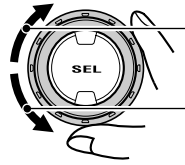
1 Select the item you want to adjust.



Each time you press the button, the adjustable items change as follows:



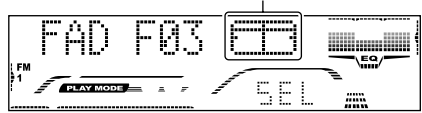
2 Adjust the setting.



To increase the level or turn on the loudness

To decrease the level or turn off the loudness

Indication pattern changes as you adjust the fader or balance.



Ex. 1: When you adjust "FAD" (fader)

LOUD indicator



Ex. 2: When you turn on the loudness

3 Repeat steps 1 and 2 to adjust the other items.

Indication	To do:	Range
FAD*1	Adjust the front and rear speaker balance.	R06 (Rear only) F06 (Front only)
BAL	Adjust the left and right speaker balance.	L06 (Left only) R06 (Right only)
LOUD	Boost low and high frequencies to produce a well-balanced sound at low volume level.	LOUD ON LOUD OFF
WOOFER*2	Adjust the subwoofer output level.	00 (min.) 08 (max.)
VOL*3	Adjust the volume.	00 (min.) 30 or 50 (max.)*4

*1 If you are using a two-speaker system, set the fader level to "00."

*2 This takes effect only when a subwoofer is connected.

*3 Normally the control dial works as the volume control. So you do not have to select "VOL" to adjust the volume level.

*4 Depending on the amplifier gain control setting. (See page 30 for details.)

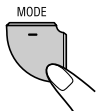


Selecting preset sound modes (iEQ: intelligent equalizer)

You can select a preset sound mode (iEQ: intelligent equalizer) suitable to the music genre.

- There is a time limit in doing the following procedure. If the setting is canceled before you finish, start from step 1 again.

1 Press MODE to enter the functions mode.



2 Press EQ (equalizer) while "MODE" is still on the display.



The last selected sound mode is called up.

3 Select the sound mode you want.



As you turn the control dial, the sound modes change as follows:

FLAT ⇄ HARD ROCK ⇄ R&B ⇄
 POP ⇄ JAZZ ⇄ DANCE MUSIC ⇄
 COUNTRY ⇄ REGGAE ⇄ CLASSIC ⇄
 USER 1 ⇄ USER 2 ⇄ USER 3 ⇄
 (back to the beginning)

Indication pattern changes for each sound mode.



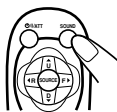
Ex.: When you select "HARD ROCK"

To cancel the preset sound mode, select "FLAT" in step 3.

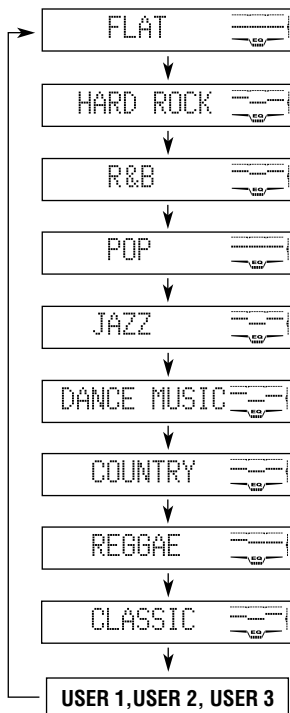
Notes:

- You can adjust the preset sound modes temporarily. However, your temporary adjustments will be reset when you select another sound mode.
- For details about the preset settings of each sound mode, see table on page 40.
- For showing the iEQ pattern on the display during play, select "EQ & LEVEL" or "SILENT" for the level meter. See also page 28.

When using the remote controller:



Press SOUND repeatedly. Each time you press the button, the sound modes change as follows:



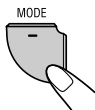


Storing your own sound adjustments

You can adjust the sound modes to your preference and store your own adjustments in memory (USER 1, USER 2 and USER 3).

- There is a time limit in doing the following procedure. If the setting is canceled before you finish, start from step **1** again.

1 Press MODE to enter the functions mode.

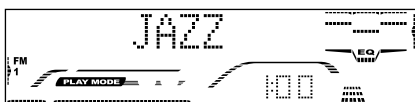
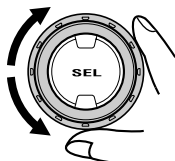


2 Press EQ (equalizer) while "MODE" is still on the display.



The last selected sound mode is called up.

3 Select the sound mode you want to adjust.



Ex.: When you select "JAZZ"

4 Select sound elements to adjust.



Each time you press the button, the sound elements change as follows:

LOW LEVEL* → LOW FREQ → LOW WIDTH
 → MID LEVEL* → MID WIDTH
 → HI (high) LEVEL* → HI (high) FREQ
 → (back to the beginning)

FREQ (LOW, HI):

Select the center frequency to adjust.

WIDTH (LOW, MID):

Select the band width level.

LEVEL (LOW, MID, HI):

Adjust the enhancement level.

- * By pressing ▲▶▶ or ◀◀▼, you can directly move as follows:



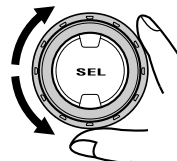
5 Adjust the selected sound element.



Indication	Preset values		
	LOW	MID	HI
LEVEL	-06 (min.) +06 (max.)	-06 (min.) +06 (max.)	-06 (min.) +06 (max.)
FREQ.	60Hz 80Hz 100Hz 120Hz	—	8kHz 10kHz 12kHz 15kHz
WIDTH	1 (min.) 4 (max.)	1 (min.) 2 (max.)	—

6 Repeat steps 4 and 5 to adjust the other sound elements.

7 Select one of the user sound modes (USER 1, USER 2, USER 3).



8 Press EQ to store the adjustments.



"MEMORY" appears for a while.



OTHER MAIN FUNCTIONS

Changing the general settings (PSM)

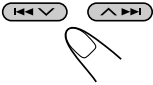
You can change the items listed in the table on page 27 by using the PSM (Preferred Setting Mode) control.

Basic Procedure

1 Press and hold SEL (select) for more than 2 seconds so that one of the PSM items appears on the display. (See page 27.)



2 Select the PSM item you want to adjust.



Ex.: When you select "DIMMER MODE"

3 Adjust the PSM item selected.



4 Repeat steps 2 and 3 to adjust the other PSM items if necessary.

5 Finish the setting.





Preferred Setting Mode (PSM) items

• For detailed operations of each PSM items, refer to the pages listed in the table.

Indications		Selectable values/items		Factory-preset settings	See page
DEMO MODE	Display demonstration	DEMO OFF	DEMO ON	DEMO ON	8
CLOCK HOUR	Hour adjustment	1 — 12		1 (1:00)	9
CLOCK MINUTE	Minute adjustment	00 — 59		00 (1:00)	
CLOCK DISP	Clock display	CLK DISP OFF	CLK DISP ON	CLK DISP ON	28
LEVELMETER	Level meter	LEVEL 1 ↔ LEVEL 2 ↓ SILENT ↔ EQ & LEVEL		LEVEL 1	28
DIMMER MODE	Dimmer mode	DIMMER AUTO ↔ DIMMER OFF ↕ DIMMER ON ↕		DIMMER AUTO	28
TELEPHONE	Telephone muting	MUTING OFF ↔ MUTING 1 ↕ MUTING 2 ↕		MUTING OFF	29
BEEP SWITCH	Key-touch tone	BEEP OFF	BEEP ON	BEEP ON	29
CONTRAST	Display contrast	01 — 10		05	29
SCROLL MODE	Scroll mode	SCROLL ONCE ↔ SCROLL AUTO ↕ SCROLL OFF ↕		SCROLL ONCE	29
WOOFER FREQ	Subwoofer cutoff frequency	FREQ MID ↔ FREQ HIGH ↕ FREQ LOW ↕		FREQ MID	29
EXTERNAL IN*1	External component	CHANGER	LINE IN	CHANGER	30
TAG DISPLAY	Tag display	TAG DISP OFF	TAG DISP ON	TAG DISP ON	30
AMP. GAIN*2	Amplifier gain control	LOW POWER	HIGH POWER	HIGH POWER	30
SLOT LIGHT	Slot light	OFF	ON	ON	30

*1 Displayed only when one of the following sources is selected—FM, AM, and CD.

*2 Depending on the amplifier gain control setting. (See page 30 for details.)



To set the clock display—CLOCK DISP

You can set the clock to be shown on the lower part of the display when the unit is turned on. When shipped from the factory, the clock is set to be shown on the display.

- **CLK DISP ON:** Clock display is turned on.
- **CLK DISP OFF:** Clock display is turned off. When “CLK DISP OFF” is selected, the current source name, station band, folder number, or disc number appears instead of the clock display (except when “LINE IN” is selected as the source).

When “CLOCK DISP” is set to “CLK DISP OFF”:

Source	Initial indication	Pressing DISP (display)
Tuner	Band	Clock appears for about 5 seconds.
CD or CD-CH	CD, folder number, or disc number	

When “CLOCK DISP” is set to “CLK DISP ON”:

Source	Initial indication	Pressing DISP (display) repeatedly
Tuner	Clock	Station frequency or band number appears for about 5 seconds.
CD	Clock	CD, or track/file/folder number appears for about 5 seconds.
CD-CH	Clock	Disc number, or track/file/folder number appears for about 5 seconds.

To select the level meter—LEVELMETER

You can select the level meter display according to your preference.

When shipped from the factory, this mode is set to “LEVEL 1.”

- **LEVEL 1/LEVEL 2:** Display the audio level meter with different illumination pattern.
- **EQ & LEVEL:** Display the equalizer pattern and audio level meter.
- **SILENT:** Display the equalizer pattern and volume level meter.

To select the dimmer mode —DIMMER MODE

When you turn on the car headlights, the display automatically dims (Auto Dimmer).

When shipped from the factory, Auto Dimmer mode is activated.

- **DIMMER AUTO:** Activates Auto Dimmer.
- **DIMMER OFF:** Cancels Auto Dimmer.
- **DIMMER ON:** Always dims the display.

Note:

Auto Dimmer equipped with this unit may not work correctly on some vehicles, particularly on those having a control dial for dimming.

In this case, set the dimmer mode to “DIMMER ON” or “DIMMER OFF.”



To select the telephone muting —TELEPHONE

This mode is used when a cellular phone system is connected. Depending on the phone system used, select either “MUTING 1” or “MUTING 2,” whichever mutes the sounds from this unit.

When shipped from the factory, this mode is deactivated.

- MUTING 1: Selects this if this setting can mute the sounds.
- MUTING 2: Selects this if this setting can mute the sounds.
- MUTING OFF: Cancels the telephone muting.

Note:

With the CD or CD changer selected as the source, playback pauses during telephone muting.

To turn the key-touch tone on or off —BEEP SWITCH

You can deactivate the key-touch tone if you do not want it to beep each time you press a button. When shipped from the factory, the key-touch tone is activated.

- BEEP ON: Activates the key-touch tone.
- BEEP OFF: Deactivates the key-touch tone.

To adjust the display contrast level —CONTRAST

Adjust the display contrast (01 – 10) to make the display indications clear and legible.

When shipped from the factory, the display contrast level is set at level 05.

To select the scroll mode—SCROLL MODE

You can select the scroll mode for the disc information (when the entire text cannot be shown at a time).

When shipped from the factory, scroll mode is set to “SCROLL ONCE.”

- SCROLL ONCE: Scrolls only once.
- SCROLL AUTO: Repeats the scroll (5-second intervals in between).
- SCROLL OFF: Cancels scroll mode.

Note:

Even if the scroll mode is set to “SCROLL OFF,” you can scroll the display by pressing DISP (display) for more than 1 second.

To select the subwoofer cutoff frequency —WOOFER FREQ

When a subwoofer is connected to this unit, select an appropriate cutoff frequency level for your subwoofer.

When shipped from the factory, the subwoofer cutoff frequency is set to “FREQ MID.”

- FREQ LOW: Frequencies higher than 50 Hz are cut off to the subwoofer.
- FREQ MID: Frequencies higher than 80 Hz are cut off to the subwoofer.
- FREQ HIGH: Frequencies higher than 120 Hz are cut off to the subwoofer.



To select the external component to use —EXTERNAL IN

You can connect the external component to the CD changer jack on the rear using the Line Input Adapter KS-U57 (not supplied).

To use the external component as the playback source through this unit, you need to select which component—CD changer or external component—to use.

When shipped from the factory, CD changer is selected as the external component.

- **CHANGER:** To use the CD changer.
- **LINE IN:** To use the external component other than CD changer.

Note:

For connecting the Line Input Adapter KS-U57 and the external component, refer to the Installation/Connection Manual (separate volume).

To turn the tag display on or off —TAG DISPLAY

An MP3/WMA file can contain file information called “ID3 Tag” where its album name, performer, track title, etc. are recorded.

There are two versions—ID3v1 (ID3 Tag version 1) and ID3v2 (ID3 Tag version 2). If both ID3v1 and ID3v2 are recorded on a disc, ID3v2 information will be shown.

When shipped from the factory, “TAG DISP ON” is selected.

- **TAG DISP ON:** Turns on the ID3 tag display while playing MP3/WMA files.
 - If an MP3/WMA file does not have ID3 tags, folder name and file name appear.

Note:

If you change the setting from “TAG DISP OFF” to “TAG DISP ON” while playing an MP3/WMA file, the tag display will be activated when the next file starts playing.

- **TAG DISP OFF:** Turns off the ID3 tag display while playing MP3/WMA files. (Only the folder name and file name can be shown.)

To select the amplifier gain control —AMP.GAIN

You can change the maximum volume level of this unit. When the maximum power of the speakers is less than 50 W, select “LOW POWER” to prevent them from being damaged. When shipped from the factory, “HIGH POWER” is selected.

- **LOW POWER:** You can adjust the volume level from “VOL 00” to “VOL 30.”

Note:

If you change the setting from “HIGH POWER” to “LOW POWER” while listening at a volume level more than 30, the unit automatically changes the volume level to “VOL 30.”

- **HIGH POWER:** You can adjust the volume level from “VOL 00” to “VOL 50.”

To turn the slot light on or off —SLOT LIGHT

You can turn off the slot light if you do not want the illumination each time you insert/eject the disc or when you change the control panel angle. When shipped from the factory, slot light is activated.

- **ON:** Activates the illumination.
- **OFF:** Deactivates the illumination.



Assigning names to the sources

You can assign names to station frequencies and CDs (both in this unit and in the CD changer). After assigning a name, it will appear on the display when you select the source.

Sources	Maximum number of characters
Station frequencies	Up to 9 characters (up to 30 station frequencies including both FM and AM)
CDs*	Up to 32 characters (up to 40 discs)

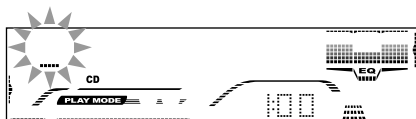
* You cannot assign a name to a CD Text or an MP3/WMA disc.

1 Select a source you want to assign a name to.



When you select a source, the power automatically comes on.

2 While pressing DISP (display), press and hold SEL (select) for more than 2 seconds.

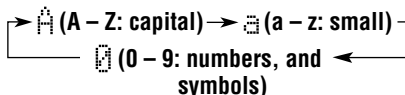


Ex.: When you select CD as the source

3 Select the character set you want while the first character position is flashing.



Each time you press the button, the character set changes as follows:



4 Select a character.



• About the available characters, see page 40.

5 Move the cursor to the next (or previous) character position.



6 Repeat steps 3 to 5 until you finish entering the name.

7 Finish the procedure while the last selected character is flashing.



To erase the input characters

To erase all the characters at a time, press and hold DISP (display) for more than 1 second as described in the procedure above.

Notes:

- When you try to assign a name to a 41st disc or to a 31st station frequency, "NAME FULL" appears and you cannot enter the text entry mode. In this case, delete unwanted names before assignment.
- When the CD changer is connected, you can assign names to CDs in the CD changer. These names can also be shown on the display if you insert the CDs in this unit.



Changing the control panel angle

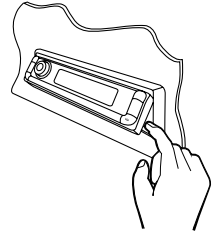
You can change the angle of the control panel in four positions.

Press  (angle) repeatedly to adjust the angle of the control panel to the position you want.

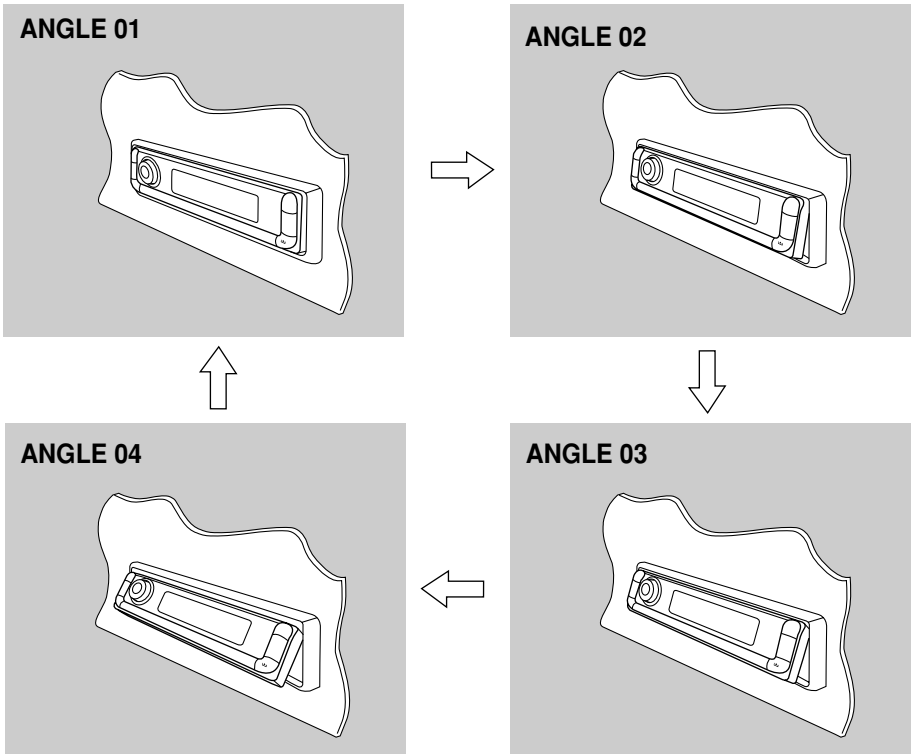


CAUTION:

NEVER insert your finger in between the control panel and the unit, as it may get caught or hurt.



The control panel angles changes as follows:



Note:

If you turn the power off, the control panel automatically returns to the closed position. Next time you turn on the power, the control panel moves to its previous position.



Detaching the control panel

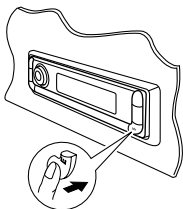
You can detach the control panel when leaving the car.

When detaching or attaching the control panel, be careful not to damage the connectors on the back of the control panel and on the panel holder.

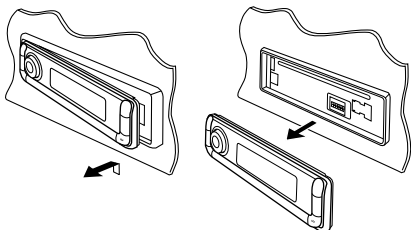
Detaching the control panel

Before detaching the control panel, be sure to turn off the power.

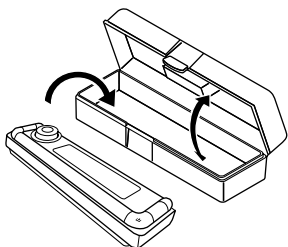
- 1** Unlock the control panel.



- 2** Lift and pull the control panel out of the unit.

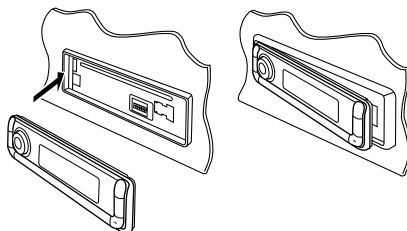


- 3** Put the detached control panel into the provided case.

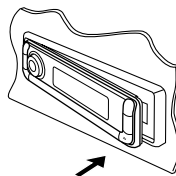


Attaching the control panel

- 1** Insert the left side of the control panel into the groove on the panel holder.



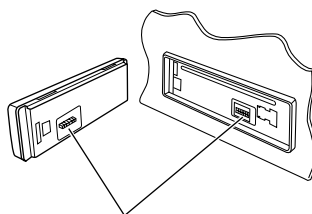
- 2** Press the right side of the control panel to fix it to the panel holder.



Note on cleaning the connectors:

If you frequently detach the control panel, the connectors will deteriorate.

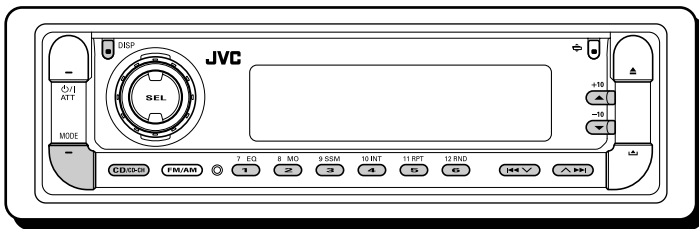
To minimize this possibility, periodically wipe the connectors with a cotton swab or cloth moistened with alcohol, being careful not to damage the connectors.



Connectors



CD CHANGER OPERATIONS



We recommend that you use the JVC MP3-compatible CD changer with your unit.

By using this CD changer, you can play back your original CD-Rs (Recordable) and CD-RWs (Rewritable) recorded either in audio CD format or in MP3 format.

- You can also connect other CH-X series CD changers (except CH-X99 and CH-X100). However, they are not compatible with MP3 discs, so you cannot play back MP3 discs.
- You cannot use the KD-MK series CD changers with this unit.

Before operating your CD changer:

- Refer also to the Instructions supplied for your CD changer.
- If no discs are in the magazine of the CD changer or the discs are inserted upside down, "NO DISC" will appear on the display. If this happens, remove the magazine and set the discs correctly.
- If no magazine is loaded in the CD changer, "NO MAG" appears on the display. If this happens, insert the magazine in the CD changer.
- If "RESET 1" – "RESET 8" appears on the display, something is wrong with the connection between this unit and the CD changer. If this happens, check the connection and make sure the cords are connected firmly. Then, press the reset button of the CD changer.

Note:

You cannot control and play any WMA disc on the CD changer.

Playing discs

Select the CD changer (CD-CH).



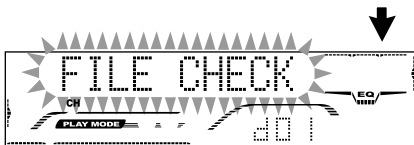
* If you have changed "EXTERNAL IN" setting to "LINE IN" (see page 30), you cannot select the CD changer.

• When the current disc is an MP3 disc:

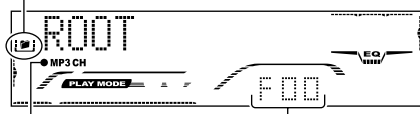
Playback starts from the first folder of the current disc once file check is completed.



Selected disc number* ↓



(folder) indicator ↓



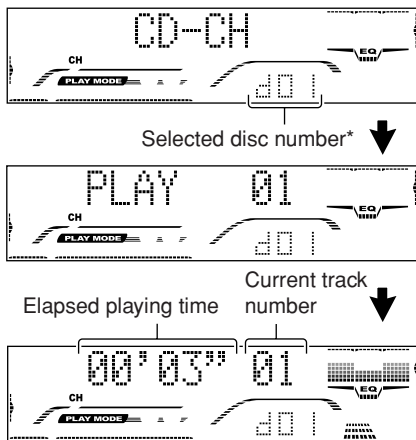
* When "CLOCK DISP" is set to "CLK DISP ON" (see page 28), the current indication will soon change to the clock time.

Note:

Folder name appears on the display instead of "ROOT," if an MP3 disc contains a folder.

• When the current disc is a CD:

Playback starts from the first track of the current disc.



Selected disc number* ↓

Elapsed playing time Current track number ↓

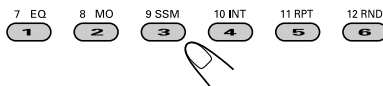
* When "CLOCK DISP" is set to "CLK DISP ON" (see page 28), the current indication will soon change to the clock time.

Notes:

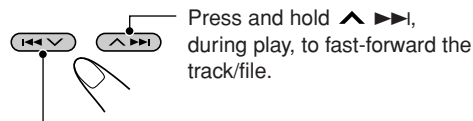
- When you press CD/CD-CH, the power automatically comes on. You do not have to press **⏻/ATT** to turn on the power.
- If you change the source, CD changer play also stops. Next time you select the CD changer as the source, CD changer play starts from where playback has been stopped previously.
- When you start playing back a CD Text or MP3 disc, disc information will automatically appear on the display. (See pages 16 and 19.)

To go to a particular disc directly

Press the number button corresponding to the disc number to start its playback (while the CD changer is playing).



- To select a disc number from 1 – 6: Press 1 (7) – 6 (12) briefly.
- To select a disc number from 7 – 12: Press and hold 1 (7) – 6 (12) for more than one second.

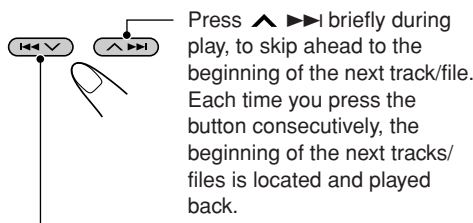
To fast-forward or reverse the track/file


Press and hold **▶▶**, during play, to fast-forward the track/file.

Press and hold **◀◀**, during play, to reverse the track/file.

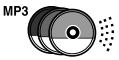
Note:

During this operation on an MP3 disc, you can only hear intermittent sounds. (The elapsed playing time also changes intermittently on the display.)

To go to the next or previous tracks/files


Press **▶** briefly during play, to skip ahead to the beginning of the next track/file. Each time you press the button consecutively, the beginning of the next tracks/files is located and played back.

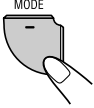
Press **◀** briefly during play, to skip back to the beginning of the current track/file. Each time you press the button consecutively, the beginning of the previous tracks/files is located and played back.



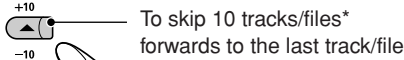
This operation is only possible when using JVC MP3-compatible CD changer (CH-X1500).

To go to a track/file quickly (+10 and -10 buttons)

1 Press MODE to enter the functions mode while playing a disc.



2 Press +10 or -10.



* First time you press +10 or -10 button, the track/file skips to the nearest higher or lower track/file with a track/file number of multiple ten (ex. 10th, 20th, 30th).

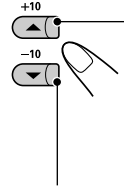
Then each time you press the button, you can skip 10 tracks/files (see "How to use the +10 and -10 buttons" below).

- After the last track/file, the first track/file will be selected, and vice versa.

Note:

If the current playing disc is an MP3 disc, files are skipped within the same folder.

To skip to the next or previous folder (only for MP3 discs)



Press ▲ (up) while playing an MP3 disc, to go to the next folder. Each time you press the button consecutively, the next folder is located, and the first file in the folder starts playback.

Press ▼ (down) while playing an MP3 disc, to go to the previous folder. Each time you press the button consecutively, the previous folder is located, and the first file in the folder starts playback.

To show the disc information for CD Text and MP3 discs

This is possible only when connecting a JVC CD changer equipped with CD Text and/or MP3 disc information reading capability.

Select text display mode while playing a CD Text or an MP3 disc.



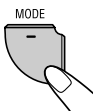
- For details, see page 16 about CD Text disc information and page 19 about MP3 disc information.

How to use the +10 and -10 buttons

- Ex. 1: To select track/file number 32 while playing track/file number 6
 - MODE button
 - +10 button (Three times)
 - Next button (Twice)
 - Track/file 6 → 10 → 20 → 30 → 31 → 32
- Ex. 2: To select track/file number 8 while playing track/file number 36
 - MODE button
 - 10 button (Three times)
 - Previous button (Twice)
 - Track/file 36 → 30 → 20 → 10 → 9 → 8

Selecting the playback modes

To play back tracks/files at random (Folder Random/Disc Random/Magazine Random Play)

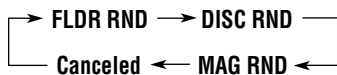


1 Press MODE to enter the functions mode while playing a disc.

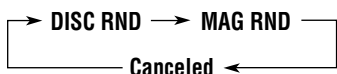


2 Press RND (random), while "MODE" is still on the display. Each time you press the button, the random play mode changes as follows:

For MP3 discs:



For CDs:



RND indicator

Ex.: When you select "MAG RND"

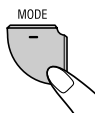
Note:

MP3 indicator also lights up if the current playing disc is an MP3 disc.

Mode	Active indicator	Plays at random
FLDR RND*	and RND indicators light up.	All files of the current folder, then files of the next folder and so on.
DISC RND	and RND indicators light up.	All tracks/files of the current (or specified) disc.
MAG RND	RND indicator lights up.	All tracks/files of the inserted discs.

* "FLDR RND" is only applicable for MP3 disc.

To play back tracks/files repeatedly (Track Repeat/Folder Repeat/Disc Repeat Play)

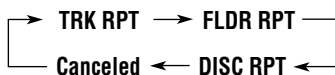


1 Press MODE to enter the functions mode while playing a disc.

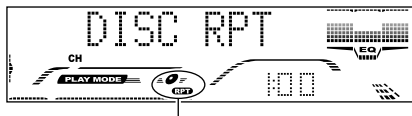
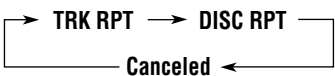


2 Press RPT (repeat), while "MODE" is still on the display. Each time you press the button, the repeat play mode changes as follows:

For MP3 discs:



For CDs:

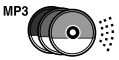


(disc) and RPT indicators

Ex.: When you select "DISC RPT"

Note:

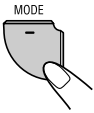
MP3 indicator also lights up if the current playing disc is an MP3 disc.



Mode	Active indicator	Plays repeatedly
TRK RPT	RPT indicator lights up.	The current (or specified) track/file.
FLDR RPT*	and RPT indicators light up.	All files of the current (or specified) folder of the current disc.
DISC RPT	and RPT indicators light up.	All tracks/files of the current (or specified) disc.

* "FLDR RPT" is only applicable for MP3 disc.

To play back only intros (Track Intro Scan/Folder Intro Scan/Disc Intro Scan)

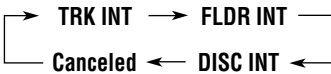


1 Press MODE to enter the functions mode while playing a disc.



2 Press INT (intro), while "MODE" is still on the display. Each time you press the button, the intro scan mode changes as follows:

For MP3 discs:



For CDs:



INT indicator

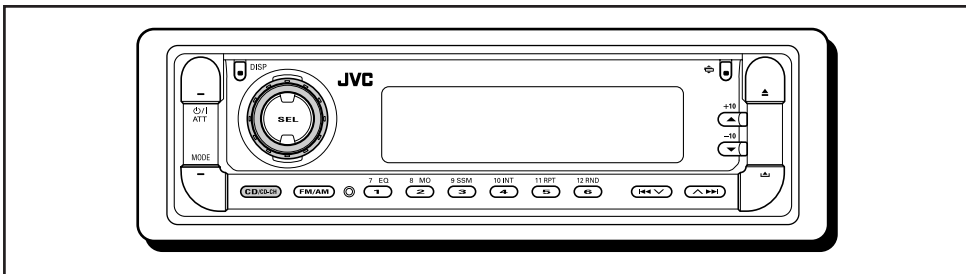
Ex.: When you select "TRK INT"

Note:

MP3 indicator also lights up if the current playing disc is an MP3 disc.

Mode	Active indicator	Plays the beginnings (15 seconds) of
TRK INT	INT indicator lights up.	All tracks/files of the current disc.
FLDR INT*	and INT indicators light up.	The first file of every folder of the current disc.
DISC INT	and INT indicators light up.	The first tracks/files of the inserted discs.

* "FLDR INT" is only applicable for MP3 disc.



Playing an external component

You can connect the external component to the CD changer jack on the rear using the Line Input Adapter KS-U57 (not supplied).

Preparations:

- For connecting the Line Input Adapter KS-U57 and the external component, refer to the Installation/Connection Manual (separate volume).
- Before operating the external component using the following procedure, select the external input correctly. See “To select the external component to use—EXTERNAL IN” on page 30.

2 Turn on the connected component and start playing the source.

3 Adjust the volume.



4 Adjust the sound as you want. (See pages 23 – 25.)

1 Select the external component (LINE IN).



- If “LINE IN” does not appear on the display, see page 30 and select the external input (“LINE IN”).

Note on One-Touch Operation:

When you press CD/CD-CH, the power automatically comes on. You do not have to press I ATT to turn on the power.



ADDITIONAL INFORMATION

Sound modes (preset frequency level settings)

The list below shows the preset frequency level settings for each sound mode.

Sound Mode	Preset equalizing values						
	LOW LEVEL	LOW FREQ	LOW WIDTH	MID LEVEL	MID WIDTH	HI LEVEL	HI FREQ
FLAT	00	60Hz	1	00	1	00	8kHz
HARD ROCK	+03	120Hz	4	00	1	+02	8kHz
R&B	+03	80Hz	1	+01	1	+03	15kHz
POP	+02	120Hz	1	+01	1	+02	10kHz
JAZZ	+03	80Hz	1	00	1	+03	10kHz
DANCE MUSIC	+04	60Hz	2	-02	2	+01	8kHz
COUNTRY	+02	60Hz	3	00	1	+02	12kHz
REGGAE	+03	60Hz	1	+02	1	+02	12kHz
CLASSIC	+01	80Hz	1	00	1	+03	10kHz
USER 1	00	60Hz	1	00	1	00	8kHz
USER 2	00	60Hz	1	00	1	00	8kHz
USER 3	00	60Hz	1	00	1	00	8kHz

Available characters

You can use the following characters to assign names to station frequencies and CDs (both in this unit and in the CD changer). (See page 31.)

- These characters can be also used to show other information such as disc title/performer on the display.

Capital letters

A	B	C	D	E
F	G	H	I	J
K	L	M	N	O
P	Q	R	S	T
U	V	W	X	Y
Z	space			

Small letters

a	b	c	d	e
f	g	h	i	j
k	l	m	n	o
p	q	r	s	t
u	v	w	x	y
z	space			

Numbers and symbols


0	1	2	3	4
5	6	7	8	9
!	"	#	\$	%
&	'	()	*
+	,	-	.	/
:	;	<	=	>
?	@	_	`	space

TROUBLESHOOTING

What appears to be trouble is not always serious. Check the following points before calling a service center.

	Symptoms	Causes	Remedies
General	<ul style="list-style-type: none"> • Sound cannot be heard from the speakers. 	The volume level is set to the minimum level.	Adjust it to the optimum level.
		Connections are incorrect.	Check the cords and connections.
	<ul style="list-style-type: none"> • This unit does not work at all. 	The built-in microcomputer may have functioned incorrectly due to noise, etc.	Press the reset button on the control panel. (The clock setting and preset stations stored in memory are erased.) (See page 2.)
FM/AM	<ul style="list-style-type: none"> • SSM (Strong-station Sequential Memory) automatic preset does not work. 	Signals are too weak.	Store stations manually.
	<ul style="list-style-type: none"> • Static noise while listening to the radio. 	The antenna is not connected firmly.	Connect the antenna firmly.
Disc Playback	<ul style="list-style-type: none"> • Disc cannot be played back. 	Disc is inserted upside down.	Insert the disc correctly.
	<ul style="list-style-type: none"> • CD-R/CD-RW cannot be played back. • Tracks on the CD-R/CD-RW cannot be skipped. 	CD-R/CD-RW is not finalized.	<ul style="list-style-type: none"> • Insert a finalized CD-R/CD-RW. • Finalize the CD-R/CD-RW with the component which you used for recording.
		<ul style="list-style-type: none"> • Disc cannot be ejected. 	Disc is locked.
	<ul style="list-style-type: none"> • Disc sound is sometimes interrupted. 	You are driving on rough roads.	Stop playback while driving on rough roads.
		Disc is scratched.	Change the disc.
		Connections are incorrect.	Check the cords and connections.
	<ul style="list-style-type: none"> • Disc cannot be recognized ("NO DISC" appears on the display). 	No disc in the loading slot.	Insert a disc into the loading slot.
		Disc is inserted incorrectly.	Insert the disc correctly.
		The unit may have functioned incorrectly.	While pressing CD/CD-CH, press and hold SEL (select) for more than 2 seconds to eject the disc.
	<ul style="list-style-type: none"> • When "PUSH RESET" appears on the display. 	There is something blocking the control movement.	Press the reset button on the control panel. (See page 2.) If the reset button does not work, check the Installation/Connection Manual (separate volume). (Ex.: You have used a longer screw than specified.)



	Symptoms	Causes	Remedies
MP3/WMA Playback	<ul style="list-style-type: none"> Disc cannot be played back. 	No MP3/WMA files are recorded on the disc.	Change the disc.
		MP3/WMA files do not have the extension code <.mp3> or <.wma> in their file names.	Add the extension code <.mp3> or <.wma> to their file names.
		MP3/WMA files are not recorded in the format compliant with ISO 9660 Level 1, Level 2, Romeo, or Joliet.	Change the disc. (Record MP3/WMA files using a compliant application.)
	<ul style="list-style-type: none"> Noise is generated. 	The file played back is not an MP3/WMA file (although it has the extension code <.mp3> or <.wma>).	Skip to another file or change the disc. (Do not add the extension code <.mp3> or <.wma> to non-MP3 or non-WMA files.)
	<ul style="list-style-type: none"> A longer readout time is required ("FILE CHECK" keeps flashing on the display). 	Readout time varies due to the complexity of the folder/file configuration.	Do not use too many hierarchies and folders.
	<ul style="list-style-type: none"> Files cannot be played back as you have intended them to play. 	Playback order is determined when the files are recorded.	_____
	<ul style="list-style-type: none"> Elapsed playing time is not correct. 	This sometimes occurs during play. This is caused by how the files are recorded on the disc.	_____
	<ul style="list-style-type: none">  indicator flashes on the display. 	The current folder does not contain any MP3/WMA file.	Select another folder.
	<ul style="list-style-type: none"> "NO FILES" appears on the display. 	The current disc does not contain any MP3/WMA file.	Insert a disc that contains MP3/WMA files.
<ul style="list-style-type: none"> Correct characters are not displayed (e.g. album name). 	This unit can only display alphabets (capital: A–Z, small: a–z), numbers, and a limited number of symbols.	_____	



Symptoms	Causes	Remedies
• “NO DISC” appears on the display.	No disc is in the magazine.	Insert discs into the magazine.
	Discs are inserted upside down.	Insert discs correctly.
• “NO MAG” appears on the display.	No magazine is loaded in the CD changer.	Insert the magazine.
• “RESET 8” appears on the display.	This unit is not connected to the CD changer correctly.	Connect this unit and the CD changer correctly and press the reset button of the CD changer.
• “RESET 1” – “RESET 7” appears on the display.	_____	Press the reset button of the CD changer.
• The CD changer does not work at all.	The built-in microcomputer may function incorrectly due to noise, etc.	Press the reset button on the control panel. (The clock setting and preset stations stored in memory are erased.) (See page 2.)

CD Changer

About mistracking:

Mistracking may result from driving on extremely rough roads. This does not damage the unit and the disc, but will be annoying.

We recommend that you stop disc play while driving on such rough roads.



MAINTENANCE

Handling discs

This unit has been designed to reproduce CDs, CD-Rs (Recordable), CD-RWs (Rewritable), and CD Texts.

- This unit is also compatible with MP3 and WMA discs.

How to handle discs

When removing a disc

from its case, press down the center holder of the case and lift the disc out, holding it by the edges.

Center holder



- Always hold the disc by the edges. Do not touch its recording surface.

When storing a disc into its case, gently insert the disc around the center holder (with the printed surface facing up).

- Make sure to store discs into the cases after use.

To keep discs clean

A dirty disc may not be played correctly. If a disc does become dirty, wipe it with a soft cloth in a straight line from center to edge.



To play new discs

New discs may have some rough spots around the inner and outer edges. If such a disc is used, this unit may reject the disc.



To remove these rough spots, rub the edges with a pencil or ball-point pen, etc.

Moisture condensation

Moisture may condense on the lens inside the CD player in the following cases:

- After starting the heater in the car.
- If it becomes very humid inside the car.

Should this occur, the CD player may malfunction. In this case, eject the disc and leave the unit turned on for a few hours until the moisture evaporates.

When playing a CD-R or CD-RW

Before playing back CD-Rs or CD-RWs, read their instructions or cautions carefully.

- Use only “finalized” CD-Rs or CD-RWs.
- Some CD-Rs or CD-RWs may not be played back on this unit because of their disc characteristics, and for the following reasons:
 - Discs are dirty or scratched.
 - Moisture condensation on the lens inside the unit.
 - The pickup lens inside the unit is dirty.
- CD-RWs may require a longer readout time since the reflectance of CD-RWs is lower than that of regular CDs.
- CD-Rs or CD-RWs are susceptible to high temperatures or high humidity, so do not leave them inside your car.
- Do not use following CD-Rs or CD-RWs:
 - Discs with stickers, labels, or protective seal stuck to the surface.
 - Discs on which labels can be directly printed by an ink jet printer.

Using these discs under high temperatures or high humidity may cause malfunctions or damage to discs. For example,

- Stickers or labels may shrink and warp a disc.
- Stickers or labels may be peeled off so discs cannot be ejected.
- Print on discs may get sticky.

Read instructions or cautions about labels and printable discs carefully.

CAUTIONS:

- Do not insert 8 cm discs (single CDs) into the loading slot. (Such discs cannot be ejected.)
- Do not insert any disc of unusual shape—like a heart or flower; otherwise, it will cause a malfunction.
- Do not expose discs to direct sunlight or any heat source or place them in a place subject to high temperature and humidity. Do not leave them in a car.
- Do not use any solvent (for example, conventional record cleaner, spray, thinner, benzene, etc.) to clean discs.

Warped disc



Sticker



Sticker residue

Disc



Stick-on label

AUDIO AMPLIFIER SECTION

Maximum Power Output:

Front: 50 W per channel

Rear: 50 W per channel

Continuous Power Output (RMS):

Front: 19 W per channel into 4 Ω , 40 Hz to 20 000 Hz at no more than 0.8% total harmonic distortion.

Rear: 19 W per channel into 4 Ω , 40 Hz to 20 000 Hz at no more than 0.8% total harmonic distortion.

Load Impedance: 4 Ω (4 Ω to 8 Ω allowance)

Frequency Control Range

Low: ± 12 dB (60 Hz, 80 Hz, 100 Hz, 120 Hz)

Mid: ± 12 dB

High: ± 12 dB (8 kHz, 10 kHz, 12 kHz, 15 kHz)

Frequency Response: 40 Hz to 20 000 Hz

Signal-to-Noise Ratio: 70 dB

Line-Out Level/Impedance:

5.0 V/20 k Ω load (full scale)

Output Impedance: 1 k Ω

Subwoofer-Out Level/Impedance:

2.0 V/20 k Ω load (full scale)

TUNER SECTION

Frequency Range:

FM: 87.5 MHz to 108.0 MHz

AM: 531 kHz to 1 602 kHz

[FM Tuner]

Usable Sensitivity: 11.3 dBf (1.0 μ V/75 Ω)

50 dB Quieting Sensitivity: 16.3 dBf (1.8 μ V/75 Ω)

Alternate Channel Selectivity (400 kHz): 65 dB

Frequency Response: 40 Hz to 15 000 Hz

Stereo Separation: 35 dB

Capture Ratio: 1.5 dB

[AM Tuner]

Sensitivity: 20 μ V

Selectivity: 35 dB

CD PLAYER SECTION

Type: Compact disc player

Signal Detection System: Non-contact optical pickup (semiconductor laser)

Number of channels: 2 channels (stereo)

Frequency Response: 5 Hz to 20 000 Hz

Dynamic Range: 96 dB

Signal-to-Noise Ratio: 98 dB

Wow and Flutter: Less than measurable limit

MP3 decoding format:

MPEG1/2 Audio Layer 3

Max. Bit Rate: 320 Kbps

WMA (Windows Media[®] Audio) decoding format:

Max. Bit Rate: 192 Kbps

GENERAL

Power Requirement

Operating Voltage:

DC 14.4 V (11 V to 16 V allowance)

Grounding System: Negative ground

Allowable Operating Temperature:

0°C to +40°C

Dimensions (W \times H \times D):

Installation Size (approx.):

182 mm \times 52 mm \times 159 mm

Panel Size (approx.):

188 mm \times 58 mm \times 12 mm

Mass (approx.):

1.5 kg (excluding accessories)

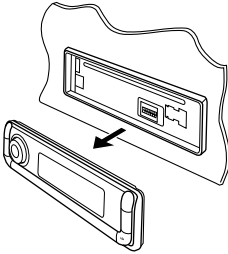
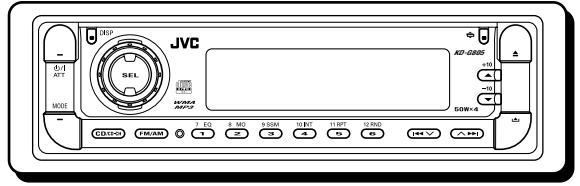
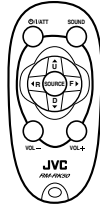
Design and specifications are subject to change without notice.

**Having TROUBLE with operation?
Please reset your unit
Refer to page of How to reset your unit**

JVC

KD-G805

راديو مع مشغل CD



MP3 WMA

COMPACT
disc
DIGITAL AUDIO
TEXT

- هذا الجهاز مزود بوظيفة استعراض لشاشة العرض. لالغاء وظيفة الاستعراض، انظر صفحة ٨.

لعمليات التركيب والتوصيلات، يرجى مراجعة كتيب التعليمات المنفصل.

كتيب التعليمات



EN, CT, TH, AR
© 2003 VICTOR COMPANY OF JAPAN, LIMITED

1203KKSMJTJEIN

ENGLISH

中文

ไทย

عربي

This unit is designed to operate on **12 V DC, NEGATIVE ground electrical systems**. If your vehicle does not have this system, a voltage inverter is required, which can be purchased at JVC car audio dealers.

本機僅可使用直流 **12V**、負極接地的電源系統。如果您的車輛沒有這一電源系統，則需要一個電壓變換器，可以在 JVC 汽車音響分銷商處買到。

ชุดประกอบนี้ได้รับการออกแบบมาเพื่อใช้งานกับระบบกระแสไฟฟ้าสายดินขั้วลบกระแสตรง **12 โวลต์** หากรถยนต์ของคุณไม่ได้ใช้ระบบนี้ ต้องใช้เครื่องแปลงกระแสไฟด้วย ซึ่งสามารถหาซื้อได้จากร้านขายเครื่องเสียงรถยนต์ JVC

لقد صمم هذا الجهاز ليعمل فقط بواسطة تيار كهربائي مباشر DC، ١٢ فولت، أنظمة كهربائية تأريض سالب. في حالة عدم وجود مثل هذا النظام في سيارتك، يجب استخدام محول فولتاج، ويمكن شراء هذا المحول من وكلاء الأجهزة الصوتية للسيارات ماركة JVC.

Parts list for installation and connection

The following parts are provided for this unit. After checking them, please set them correctly.

用於安裝和連接的零件裏

下列零件是隨本機提供的。清點以後，正確的將其裝配。

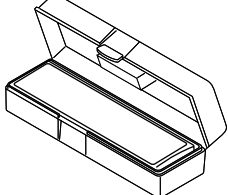
รายการส่วนประกอบสำหรับติดตั้งและเชื่อมต่อ

ส่วนประกอบต่อไปนี้ให้มาพร้อมกับชุดประกอบนี้ หลังจากตรวจสอบแล้ว โปรดตั้งเครื่องให้ถูกต้อง

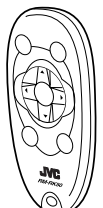
قائمة اجزاء التركيب والتوصيل

الاجزاء التالية مزودة مع الجهاز. بعد فحص هذه الاجزاء، يرجى تركيبهم بشكل صحيح.


A / B
Hard case/Control panel
硬盒 / 控制面板
ตั้งบรรจุ/หน้าปัด
صندوق صلب/لوحة التحكم



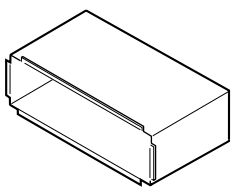
F
Remote controller
遙控器
รีโมตคอนโทรล
وحدة التحكم عن بعد



J
Mounting bolt (M5 x 20 mm)
緊固螺栓 (M5 x 20 mm)
สลักติด (M5 x 20 มิลลิเมตร)
مسامير التركيب (M5 x 20 ملم)




C
Sleeve
外套機殼
ปลอกหุ้ม
الهيكال الواقي




G
Battery
電池
แบตเตอรี่
البطاريات

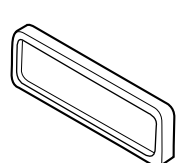
CR2025




K
Rubber cushion
橡膠防震墊
ยางกันกระแทก
الحشوة المطاطية




D
Trim plate
裝飾框
แผ่นโลหะขอบแต่ง
لوحة الزينة



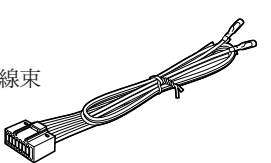
H
Washer (ø5)
墊圈 (ø5)
ประเก็นวงแหวน (ø5)
حلقة احكام التوصيل (قطر 5)




L
Handles
板條型把手
คันบังคับ
المسكات



E
Power cord
電路連接用的配線束
สายเคเบิลกำลัง
سلك الطاقة
الكهربائية



I
Lock nut (M5)
鎖定螺母 (M5)
นอตล็อก (M5)
صمولة التثبيت (M5)



INSTALLATION (IN-DASH MOUNTING)

安裝 (裝設、固定在儀表板內)

การติดตั้ง (การประกอบแผงหน้าปัดเข้า)

تركيب الجهاز (داخل - تابلو السيارة)

The following illustration shows a typical installation. If you have any questions or require information regarding installation kits, consult your JVC car audio dealer or a company supplying kits.

- If you are not sure how to install this unit correctly, have it installed by a qualified technician.

下面的圖解表示了典型的安裝程序。如果您有問題，或需要有關配套元件的資料，請向 JVC 汽車音響分銷商或配套元件供應公司詢問。

- 如果您不能確定如何正確地安裝本機，應請合格的技術人員來安裝。

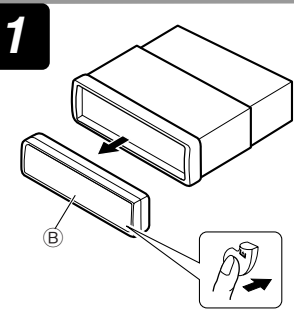
ภาพตัวอย่างต่อไปนี้แสดงถึงการติดตั้งแบบทั่วไป หากคุณมีปัญหาคือต้องการข้อมูลเพิ่มเติมเกี่ยวกับชุดติดตั้ง กรุณาปรึกษากับผู้ขายเครื่องเสียงรถยนต์ JVC ของท่านหรือบริษัทผู้ขายเครื่องเสียงรถยนต์ JVC ของท่านหรือบริษัทผู้ขายชุดประกอบ

- ถ้าคุณไม่แน่ใจว่าติดตั้งชุดประกอบนี้ถูกต้องหรือไม่ ให้หาช่างผู้เชี่ยวชาญเป็นผู้ติดตั้ง

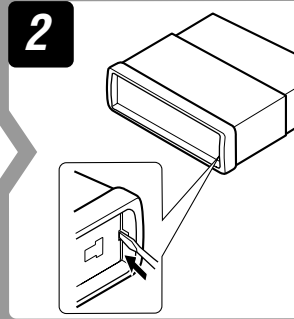
يبيّن الرسم التوضيحي التالي طريقة التركيب المثالية. اذا كان هناك استفسارات او حاجة لمعلومات بخصوص ادوات التركيب، يرجى استشارة موزع الاجهزة الصوتية للسيارات ماركة JVC او الشركة الموزعة لهذه الادوات.

- في حالة عدم معرفتك بكيفية تركيب الجهاز بشكل صحيح، يرجى ترك عملية تركيب الجهاز لشخص مختص ومؤهل لتركيب مثل هذه الاجهزة.

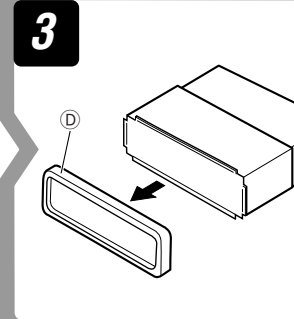
1



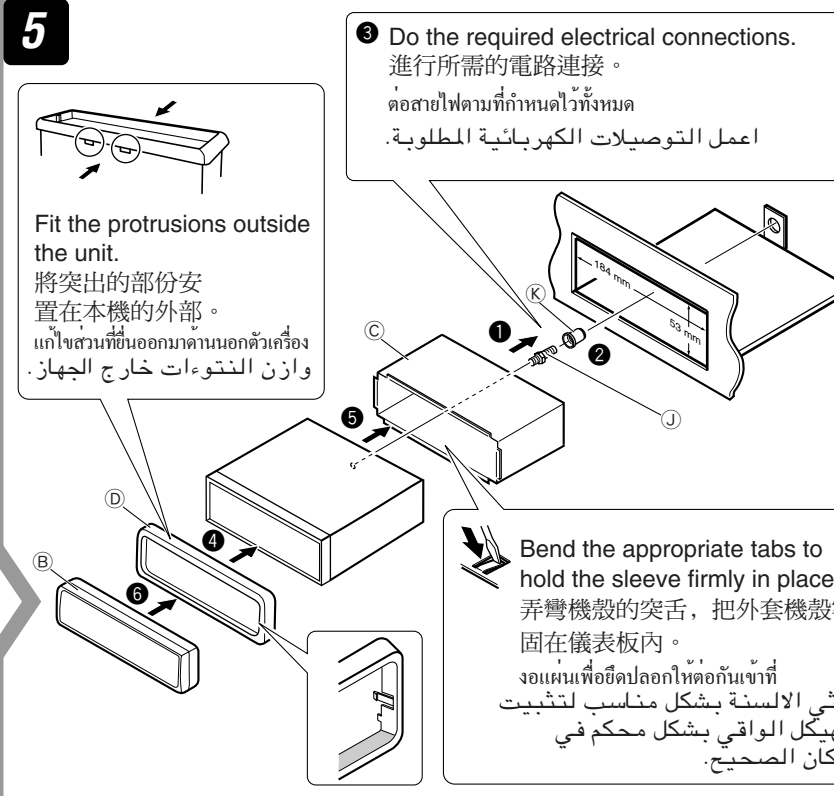
2



3



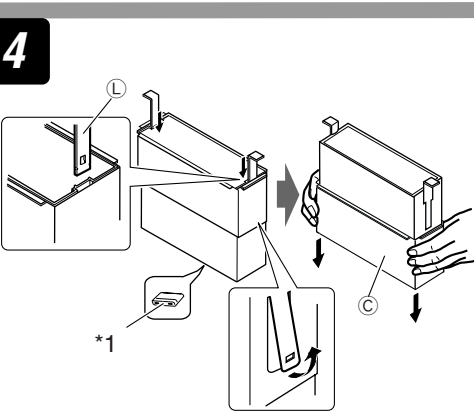
5



Do the required electrical connections.
進行所需的電路連接。
ต่อสายไฟตามที่กำหนดไว้ทั้งหมด
عمل التوصيلات الكهربائية المطلوبة.

Bend the appropriate tabs to hold the sleeve firmly in place.
弄彎機殼的突舌，把外套機殼牢固在儀表板內。
งอแผ่นเพื่อยึดปลอกให้ตอกันเข้าที่
อันที่ اللاسنة بشكل مناسب لتثبيت الهيكال الواقي بشكل محكم في المكان الصحيح.

4



*1 When you stand the unit, be careful not to damage the fuse on the rear.
*1 您豎起本機時，小心不要損壞底部的保險絲。
*1 เมื่อคุณตั้งชุดประกอบขึ้น ระวังอย่าทำให้ตัวส่วนที่เสียหาย
*1 عند توقیف الجهاز، انتبه من اجل عدم تضرر الفيوز الموجود على الجهة الخلفية.

Removing the unit

Before removing the unit, release the rear section.

拆卸本機

在拆卸本機前，應將本機後部的固定和連接部分鬆開。

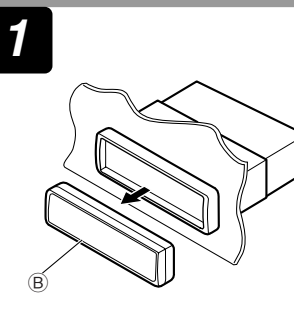
การถอดชุดประกอบ

ก่อนจะถอดชุดประกอบ ให้ปลดหน้าตัดส่วนท้ายก่อน

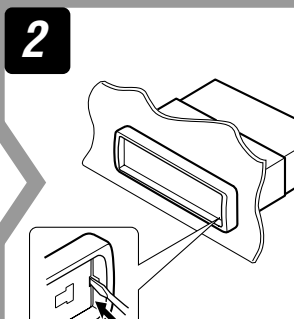
نزع الجهاز من تابلو السيارة

قبل نزع الجهاز، حرر الجزء الخلفي.

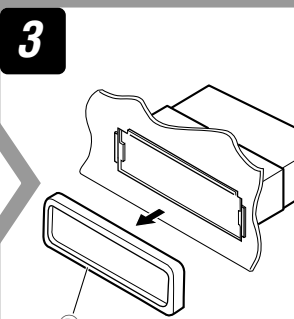
1



2



3



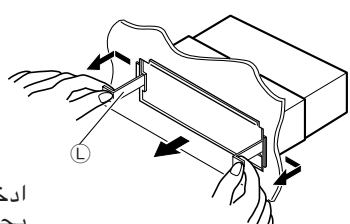
4

Insert the two handles, then pull them as illustrated so that the unit can be removed.

按圖所示，將兩片板條型把手插入卡槽，然後輕穩地從兩側向外拉兩片把手，本機隨之拉出。

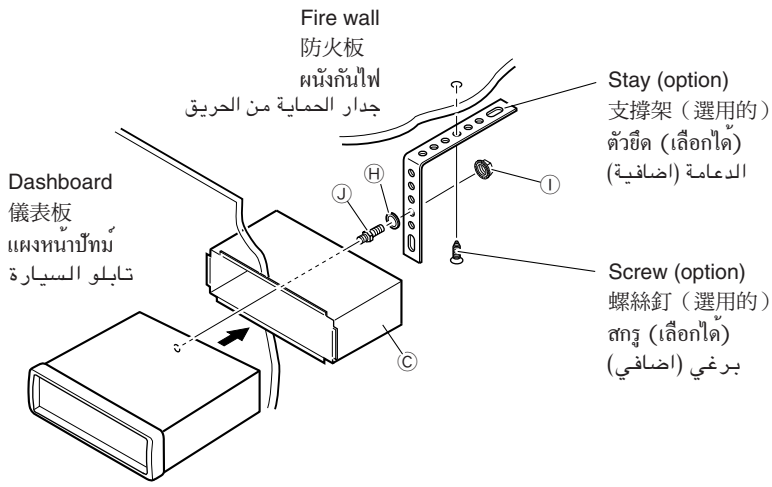
ใส่คันบังคับ 2 อันลงในร่องสำหรับไขพันลวด ดังภาพ จากนั้นให้เลื่อนชุดประกอบออกในขณะที่ค่อย ๆ ดึงคันบังคับทั้งสองอันออกจากกัน

ادخل المسكاتين، وبعد ذلك اسحبهم كما هو مبين بحيث يمكن نزع الجهاز.



When using the optional stay / 若選用支撐架 /

เมื่อใช้ตัวยึดแบบเลือกได้ (สามารถเลือกเปิดค้างไว้ได้) /
 عند استخدام الدعامة الاضافية



Install the unit at an angle of less than 30°.
 將本機安裝在少於 30° 的角度。
 ติดตั้งชุดประกอบที่มุมต่ำกว่า 30 องศา
 ركب الجهاز على زاوية اقل من 30 درجة.

When installing the unit without using the sleeve / 若不使用外套機殼安裝本機 /

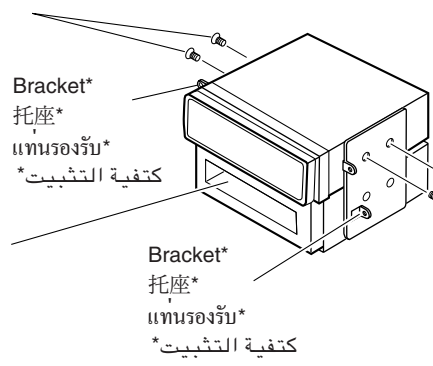
เมื่อติดตั้งชุดประกอบโดยไม่มีปลอกหุ้ม / استخدام الهيكل الواقي
 In a Toyota for example, first remove the car radio and install the unit in its place.

以豐田牌 (TOYOTA) 汽車為例：首先取出汽車收音機，然後將本機裝入其空出的位置。

ตัวอย่างเช่น ในรถยนต์โตโยต้า ให้ถอดวิทยุติดรถยนต์ออกก่อนและติดตั้งชุดประกอบนี้เข้าไปแทน

على سبيل المثال، في سيارات نوع تويوتا، انزع راديو السيارة اولا بعد ذلك ركب الجهاز في مكانه.

Flat type screws (M5 x 8 mm)*
 平頭螺絲釘 (M5 x 8 mm)*
 สกรูหัวเรียบ (M5 x 8 มิลลิเมตร)*
 *براغي مستوية القاعدة (8 x 5 ملم)



* Not included with this unit.
 * 不包括在本機中。
 * ไม่ได้รวมกับชุดประกอบ
 * غير مزود مع هذا الجهاز.

Flat type screws (M5 x 8 mm)*
 平頭螺絲釘 (M5 x 8 mm)*
 สกรูหัวเรียบ (M5 x 8 มิลลิเมตร)*
 *براغي مستوية القاعدة (8 x 5 ملم)

Note : When installing the unit on the mounting bracket, make sure to use the 8 mm-long screws. If longer screws are used, they could damage the unit.

注意 : 把本機安裝在托座上時，務必使用 8 mm 長的螺絲釘。如使用過長的螺絲釘，會損壞本機。

หมายเหตุ : เมื่อติดตั้งชุดประกอบลงในแท่นรองรับไว้ ให้ใช้สกรูยาวขนาด 8 มิลลิเมตร ถ้าใช้สกรูยาวกว่านี้อาจทำให้ชุดประกอบเสียหายได้
ملاحظة : عند تركيب الجهاز على كتفبات التثبيت، تأكد من استعمال براغي طول 8 ملم. في حالة استخدام براغي اطول من 8 ملم، يمكن ان يسبب ذلك تلف او ضرر للجهاز.

ELECTRICAL CONNECTIONS

電路連接

To prevent short circuits, we recommend that you disconnect the battery's negative terminal and make all electrical connections before installing the unit.

為防止短路，建議在安裝本機之前，斷開電池的負極，並把所有電路都連接好。

• 安裝完畢後務必將本機的地線重新接至車身。

• **Be sure to ground this unit to the car's chassis again after installation.**

Notes:

- Replace the fuse with one of the specified rating. If the fuse blows frequently, consult your JVC car audio dealer.
- It is recommended to connect to the speakers with maximum power of more than 50 W (both at the rear and at the front, with an impedance of 4 Ω to 8 Ω). If the maximum power is less than 50 W, change "AMP.GAIN" setting to prevent the speakers from being damaged (see page 30 of the INSTRUCTIONS).
- To prevent short-circuit, cover the terminals of the UNUSED leads with insulating tape.
- The heat sink becomes very hot after use. Be careful not to touch it when removing this unit.

注意：

- 把保險絲更換為額定負荷值的保險絲。如果保險絲經常燒壞，請向 JVC 汽車音響分銷商詢問。
- 後置和前置揚聲器的最大輸入功率應大於 50 W，其阻抗為 4 Ω - 8 Ω。如果最大功率小於 50 W，請調校 "AMP.GAIN" 設定值，以防止揚聲器損壞。（參閱使用說明書的第 30 頁）。
- 為防止電源短路，請用絕緣帶包住未使用電線端子。
- 本機使用後，散熱片會很熱。因此，在移出本機時，小心不要觸摸散熱片。

การเชื่อมโดยใช้ไฟฟ้า

เพื่อป้องกันการเกิดไฟลัดวงจรขอแนะนำให้ปลดขั้วแบตเตอรี่ลบออกแล้วจึงต่อสายไฟก่อนติดตั้งเครื่อง

• ตรวจสอบให้แน่ใจว่าได้เดินสายดินต่อระหว่างเครื่องกับตัวถังรถยนต์ใหม่แล้วหลังจากติดตั้ง

หมายเหตุ :

- ใช้ฟิวส์เฉพาะแทนฟิวส์ หากฟิวส์ขาดบ่อย ให้ปรึกษาช่างขายเครื่องเสียงรถยนต์ JVC
- ขอแนะนำให้ต่อลำโพง ที่มีกำลังขับสูงสุดเกินกว่า 50 W (ทั้งด้านหน้าและด้านหลัง มีค่าความต้านทาน 4 Ω ถึง 8 Ω) ถ้ากำลังขับต่ำกว่า 50 W ให้เปลี่ยนค่า "AMP.GAIN" เพื่อป้องกันไม่ให้ลำโพงชำรุด (ดูหน้า 30 ในคู่มือใช้งาน)
- การป้องกันการลัดวงจร จะต้องพันขั้วสายตะกั่วที่ไม่ใช้แล้วด้วยเทปพันสายไฟ
- แผ่นระบายความร้อนจะร้อนมากหลังจากใช้ ระยะเวลาวิ่งอย่าไปสัมผัสเมื่อถอดชุดประกอบนี้

التوصيلات الكهربائية

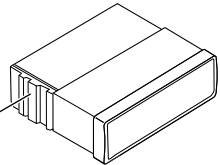
لمنع حدوث تقصير في الدوائر الكهربائية، نوصي بفصل طرف توصيل البطارية السالب وعمل كل التوصيلات الكهربائية قبل تركيب الجهاز.

• **تأكد من تأريض الجهاز مع هيكل السيارة مرة ثانية بعد التركيب.**

ملاحظات:

- ستبدل الفيوز بفيوز آخر يحمل نفس القياسات الموصوفة. إذا تكرر احتراق الفيوز، استشر وكيل JVC لأجهزة السيارة الصوتية.
- ينصح التوصيل مع سماعات ذات طاقة قصوى أكثر من 50 واط (على كلا من الخلف والامام، مع ممانعة 4 أوم إلى 8 أوم). إذا كانت الطاقة القصوى اقل من 50 واط، غير وضع تهيئة "AMP.GAIN" لمنع السماعات من الضرر. (انظر صفحة 30 من كتيب التعليمات).
- من أجل منع تقصير الدائرة الكهربائية، ضع شريط لاصق على اطراف الاسلاك غير المستعملة.
- تصبح صفيحة خفض الحرارة ساخنة جدا بعد الاستخدام. تأكد من عدم ملامستها عند نزع الجهاز.

Heat sink
 散熱片
 แผ่นระบายความร้อน
 صفيحة خفض الحرارة



PRECAUTIONS on power supply and speaker connections:

- **DO NOT connect the speaker leads of the power cord to the car battery; otherwise, the unit will be seriously damaged.**
- BEFORE connecting the speaker leads of the power cord to the speakers, check the speaker wiring in your car.

電源和揚聲器接線注意事項：

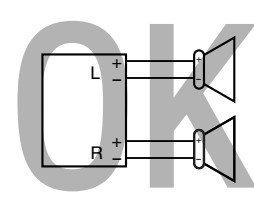
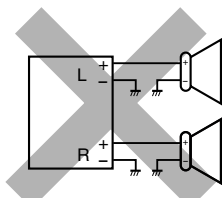
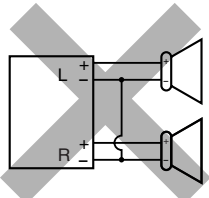
- 切勿把揚聲器導線接頭接至電池，否則本機將會嚴重損壞。
- 在把揚聲器導線接頭接至揚聲器之前，檢查您汽車上的揚聲器線路。

ข้อควรระวังสำหรับการต่อแหล่งจ่ายกำลังและลำโพง:

- อย่าต่อสายตะกั่วเคเบิลกำลังของลำโพงเข้ากับแบตเตอรี่รถยนต์ มิฉะนั้นชุดประกอบจะได้รับความเสียหายมาก
- ก่อนที่จะต่อสายตะกั่วเคเบิลกำลังของลำโพงเข้ากับลำโพง ให้ตรวจสอบการเดินสายไฟลำโพงในรถของคุณให้เรียบร้อยเสียก่อน

تنبيهات حول تزويد الطاقة الكهربائية وتوصيل السماعات:

- لا توصل اسلاك تزويد طاقة السماعات مع بطارية السيارة، لان ذلك يؤدي الى حصول ضرر للسماعات.
- قبل توصيل اسلاك تزويد طاقة السماعات مع السماعات، افحص شبكة اسلاك السماعات داخل سيارتك.



TROUBLESHOOTING

故障排除

การตรวจสอบปัญหาที่ข้อง

البحث عن الاعطال والاصلاح

- **The fuse blows.**
 * Are the red and black leads connected correctly?
- **Power cannot be turned on.**
 * Is the yellow lead connected?
- **No sound from the speakers.**
 * Is the speaker output lead short-circuited?
- **Sound is distorted.**
 * Is the speaker output lead grounded?
 * Are the "–" terminals of L and R speakers grounded in common?
- **Noise interfere with sounds.**
 * Is the rear ground terminal connected to the car's chassis using shorter and thicker cords?
- **Unit becomes hot.**
 * Is the speaker output lead grounded?
 * Are the "–" terminals of L and R speakers grounded in common?

- 保險絲燒斷。
 * 檢查紅色導線接頭和黑色導線接頭是否接觸正確？
- 電源不能接通。
 * 檢查黃色導線接頭是否接上？
- 揚聲器沒有聲音。
 * 檢查揚聲器輸出導線接頭是否短路？
- 聲音失真。
 * 檢查揚聲器輸出端子是否接地？
 * 檢查揚聲器的左 (L)、右 (R) 端子的負極 (–) 是否共同接地？
- 噪音干擾音響。
 * 後接地端子與車身是否使用較短和較厚的電線連接？
- 本機發熱。
 * 檢查揚聲器輸出端子是否接地？
 * 檢查揚聲器的左 (L)、右 (R) 端子的負極 (–) 是否共同接地？

- **ฟิวส์ขาด**
 * มีการเชื่อมสายตะกั่วสีดำและสีแดงอย่างถูกต้องหรือไม่
 * 是否正确？
- **ไม่สามารถเปิดเครื่องได้**
 * มีการเชื่อมสายตะกั่วสีเหลืองหรือไม่
 * 是否正确？
- **ไม่มีเสียงออกจากลำโพง**
 * สายตะกั่วส่วนที่ออกทางลำโพงเกิดไฟลัดวงจรหรือไม่
 * 是否正确？
- **เสียงเพี้ยน**
 * สายตะกั่วส่วนที่ออกทางลำโพงต่อลงดินหรือไม่
 * สายขั้วลบ ของลำโพงด้านซ้ายและขวาต่อลงดินตามปกติหรือไม่
 * 是否正确？
- **เสียงรบกวน**
 * มีการใช้สายสั้นๆ หรือหนาๆ ต่อจากเครื่องส่วนที่ติดตั้งไว้บนพื้นด้านหลังกับตัวถังรถยนต์หรือไม่
 * 是否正确？
- **ชุดประกอบร้อนขึ้น**
 * สายตะกั่วส่วนที่ออกทางลำโพงต่อลงดินหรือไม่
 * สายขั้วลบ ของลำโพงด้านซ้ายและขวาต่อลงดินตามปกติหรือไม่
 * 是否正确？

- **يحترق الفيوز.**
 * هل السلك الاحمر والاسود موصولة بشكل صحيح؟
- **لا يمكن توصيل الطاقة الكهربائية.**
 * هل السلك الاصفر موصولاً؟
- **لا يصدر صوت من السماعات.**
 * هل هنالك تقصير في دائرة سلك خرج السماعة؟
- **الصوت مشوه.**
 * هل سلك خرج السماعة موصولاً بالارض؟
 * هل الاطراف السالبة "–" للسماعة اليسرى L واليمنى R موصولة بالارض مع بعض؟
- **تداخل ضجيج مع الاصوات.**
 * هل طرف الارضي الخلفي موصول مع هيكل السيارة باستعمال اسلاك اقصر واسمك؟
- **يسخن الجهاز.**
 * هل سلك خرج السماعة موصولاً بالارض؟
 * هل الاطراف السالبة "–" للسماعة اليسرى L واليمنى R موصولة بالارض مع بعض؟

A Typical Connections / 典型的接線方法 / การเชื่อมต่อแบบปกติ / التوصيلات النموذجية

Before connecting: Check the wiring in the vehicle carefully. Incorrect connection may cause serious damage to this unit. The leads of the power cord and those of the connector from the car body may be different in color.

接線前：仔細檢查汽車內的線路。不正確的接線會導致本機嚴重損壞。電力線的引線和車身的連接器引線在顏色上可能有所不同。

ก่อนทำการเชื่อมต่อ: ตรวจสอบสายไฟในรถอย่างละเอียด การเชื่อมต่อที่ไม่ถูกต้องอาจทำให้เกิดความเสียหายร้ายแรงต่อชุดลำโพงได้ สายไฟและสายที่เชื่อมต่อกับตัวถังอาจมีสีที่แตกต่างกัน

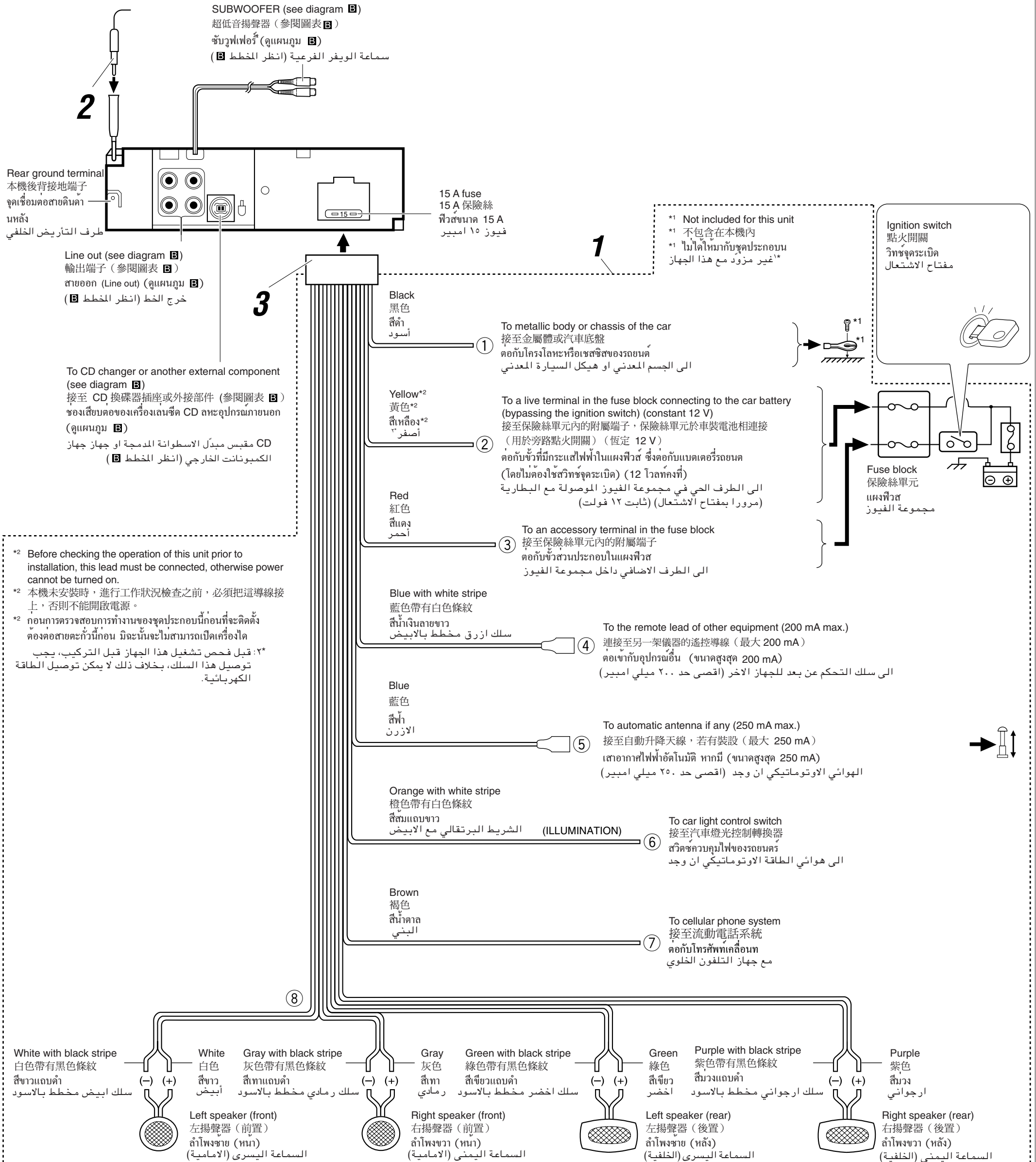
قبل البدء بالتوصيل: تأكد من شبكة الاسلاك في السيارة بدقة حتى لا يحدث خطأ في عملية توصيل الجهاز. يمكن ان يسبب التوصيل الخاطئ الى حصول عطل حقيقي للجهاز. يمكن ان يختلف لون سلك الطاقة الكهربائية وسلك الموصل عن لون هيكل السيارة.

- 1 Connect the colored leads of the power cord in the order specified in the illustration below.
2 Connect the antenna cord.
3 Finally connect the wiring harness to the unit.

- 1 依照下圖所示之次序連接電源線的顏色導線。
2 將天線的電線連接起來。
3 最後，把配線束的插頭插在本機上。

- 1 ต่อสายไฟสีตามลำดับที่ระบุในรูปด้านล่าง
2 เชื่อมต่อกับสายอากาศ
3 สุดท้าย คือส่วนความคุ้มครองเดินสายไฟเข้ากับชุดประกอบชุดนี้

- 1 اوصل الاسلاك الملونة لسلك الطاقة الكهربائية بالترتيب الموصوف في الرسم الموجود في الأسفل.
2 اوصل سلك الهوائي.
3 اخيرا، اوصل حامل الاسلاك مع الجهاز.



*2 Before checking the operation of this unit prior to installation, this lead must be connected, otherwise power cannot be turned on.
*2 本機未安裝時，進行工作狀況檢查之前，必須把這導線接上，否則不能開啟電源。
*2 ก่อนการตรวจสอบการทำงานของชุดประกอบนี้ก่อนที่จะติดตั้ง ต้องต่อสายตะกั่วนี้ก่อน มิฉะนั้นจะไม่สามารถเปิดเครื่องได้
*2 قبل فحص تشغيل هذا الجهاز قبل التركيب، يجب توصيل هذا السلك، بخلاف ذلك لا يمكن توصيل الطاقة الكهربائية.

B Connections Adding Other Equipment / 連接附加的其他音響設備 / การต่อเพิ่มเติมเข้ากับอุปกรณ์อื่น ๆ / توصيل الاجهزة الاخرى الضافية

Amplifier / 功率放大器 / เครื่องขยาย / مضخم الصوت

You can connect an amplifier and other equipment to upgrade your car stereo system.

- Connect the remote lead (blue with white stripe) to the remote lead of the other equipment so that it can be controlled through this unit.

For amplifier only:

- Disconnect the speakers from this unit, connect them to the amplifier. Leave the speaker leads of this unit unused.
- The line output level of this unit is kept high to maintain the hi-fi sounds reproduced from this unit.

When connecting an external amplifier to this unit, turn down the gain control on the external amplifier to obtain the best performance from this unit.

您可以連接擴音器和其他裝置以提昇專車的音響系統。

- 將遙控導線（藍色帶有白色條紋）和其他裝置上的遙控導線連接起來，以便可以通過本機進行遙控。
- 僅適用於放大器：
 - 將揚聲器和本機斷開，再接上功率放大器。將本機的揚聲器接線放置不用。
 - 當連接一個外部擴音器至本機時，調低外部擴音器上的增益控制以使本機發揮最佳效能。
 - 當連接一個外部擴音器至本機時，調低外部擴音器上的增益控制以使本機發揮最佳效能。

คุณสามารถต่อกับแอมพลิฟายเออร์ และอุปกรณ์อื่น ๆ ได้ เพื่อเพิ่มคุณภาพเสียงให้กับระบบสเตอริโอของรถยนต์

- ต่อสายตัวกระชาก (สีน้ำเงินลายขาว) เข้ากับสายตัวกระชากไกลของอุปกรณ์อื่น ๆ เพื่อจะสามารถควบคุมโดยชุดประกอบนี้ได้
- สำหรับเครื่องขยายเท่านั้น :
 - ถอดลำโพงออกจากชุดประกอบนี้ แล้วต่อเข้ากับเครื่องขยายทั้งสายตัวกระชากไกลของชุดประกอบนี้ไว้
 - เมื่อต่อเครื่อง ขยายเสียงกับเครื่องเล่น ให้ลดระบบควบคุมของเครื่องขยายเสียงภายนอก เพื่อให้ได้ประสิทธิภาพการทำงานที่ดีที่สุดจากเครื่อง

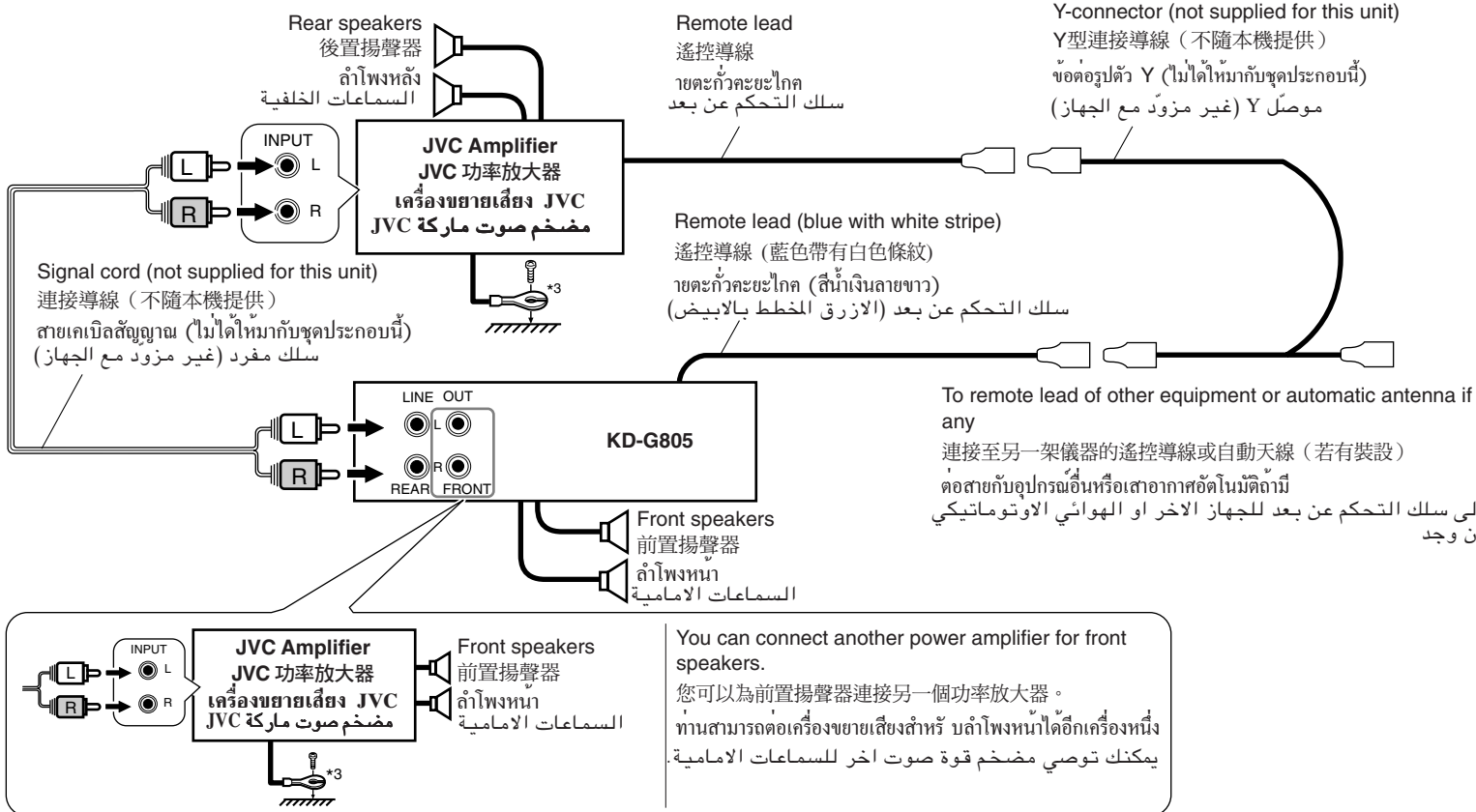
يمكنك توصيل مضخم صوت او اجهزة اخرى لتحسين اداء جهاز ستيريو السيارة.

- اوصل سلك التحكم عن بعد (الازرق المخطط بالابيض) مع سلك التحكم عن بعد للجهاز الاخر بحيث يتم التحكم بالجهاز من خلال هذا الجهاز.
- فقط لمضخم الصوت:

- افصل السماعات من هذا الجهاز، اوصلهم مع مضخم الصوت. اترك اسلاك سماعات هذا الجهاز بدون استعمال.

- مستوى خرج الخط لهذا الجهاز محفوظ بصورة عالية للمحافظة على اصوات الهاي- فاي المتكونة من هذا الجهاز.

عند توصيل مضخم صوت خارجي مع هذا الجهاز، اخفض ضابط الكسب الموجود على مضخم صوت الخارجي للحصول على افضل تأدية من هذا الجهاز.



*3 Firmly attach the ground wire to the metallic body or to the chassis of the car—to the place not coated with paint (if coated with paint, remove the paint before attaching the wire). Failure to do so may cause damage to the unit.

*3 將地線與金屬車體或者汽車底盤緊密連接，連接處應該沒有被油漆覆蓋（如果已塗上油漆，在連接電線前，將油漆刮去）。如果不這樣做，可能會損壞本機。

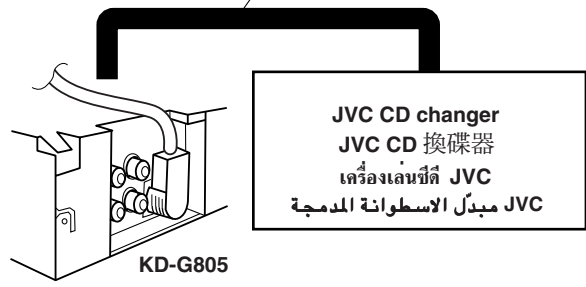
*3 ตอลวดสายดินให้แน่นเข้ากับตัวถังเหล็ก หรือตัวถังรถ — ตรงส่วน ที่ไม่มีสีเคลือบ (หากมีสีเคลือบอยู่ ให้ขูดสีออกก่อนต่อลวดสายดิน) หากไม่ปฏิบัติตามคำแนะนำนี้ เครื่องอาจชำรุดหรือเสียหายได้

*3: اوصل السلك الارضي بحكم مع هيكل او جسم السيارة المعدني - مع الوضع غير المطلي بالدهان (اذا كان الموضع مطلي بالدهان، ازل الدهان قبل توصيل السلك). في حالة توصيل السلك مع الهيكل دون ازالة الدهان يمكن ان يسبب ذلك ضرر لهذا الجهاز.

CD Changer / CD 換碟器 / เครื่องเล่นซีดี CD / مبدل الاسطوانة المدمجة

Refer also to page 34 of the INSTRUCTIONS. 同時參閱使用說明書的第 34 頁。
ดูขอแนะนำในหน้า 34 راجع أيضاً صفحة ٣٤ من كتيب التعليمات.

Connecting cord supplied for your CD changer 連接所提供的電線至您的 CD 換碟器
สายต่อให้มาพร้อมเครื่องเล่นซีดี CD توصيل السلك المزود لمبدل الاسطوانة المدمجة



CAUTION / 注意 / ข้อควรระวัง / تنبيه

- Before connecting the CD changer, make sure that the unit is turned off.
- 連接 CD 轉換器之前，應先將本機關閉。
- ก่อนที่จะเชื่อมต่อเครื่องเล่นซีดี CD กรุณาตรวจสอบให้แน่ใจว่าเครื่องเล่นซีดีนั้นปิดอยู่
- قبل توصيل مبدل الاسطوانة المدمجة، تأكد من ايقاف الوحدة عن التشغيل.

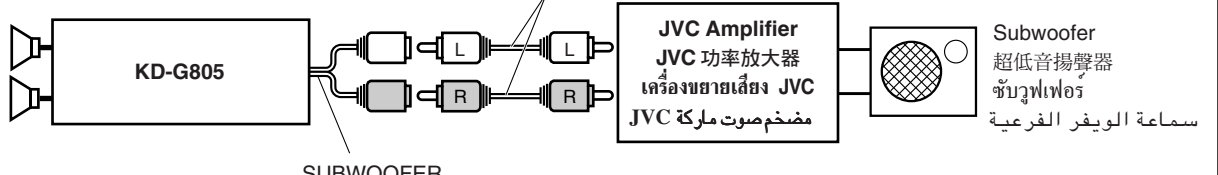
Subwoofer / 超低音揚聲器 / ขั้ววูฟเฟอ / سماعة الزيفر القرعية

You can connect a subwoofer through an amplifier to reinforce the bass.

- For their connections, refer to the instructions supplied with your subwoofer.

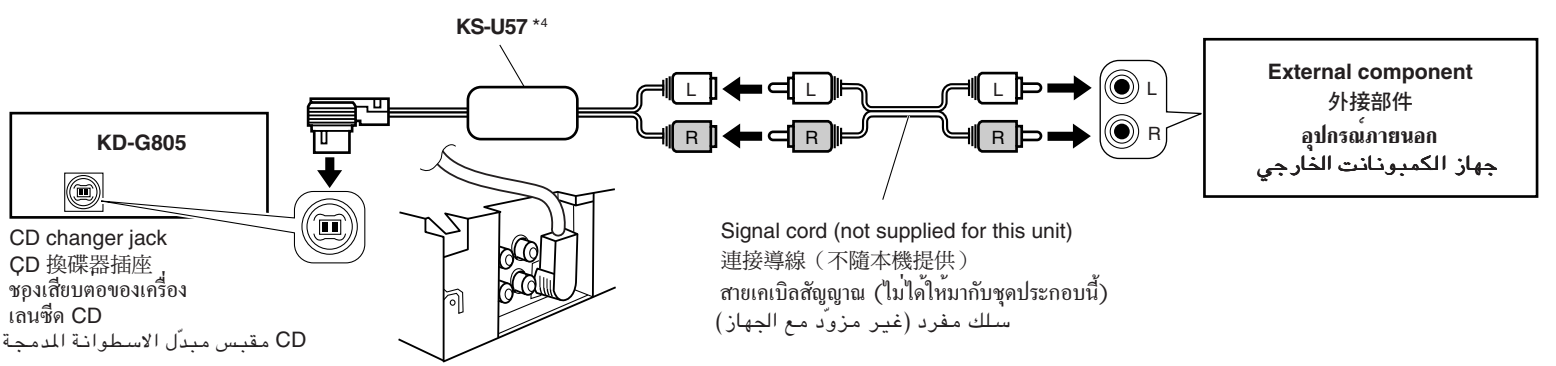
你可以連接放大器和其他裝置以加強你的汽車音響系統功能。
你可以按照超低音揚聲器的操作手冊進行連接。
คุณสามารถต่อเครื่องขยายและอุปกรณ์อื่น ๆ เพื่ออัพเกรดระบบเครื่องเสียงในรถยนต์ของคุณได้
รายละเอียดเกี่ยวกับการต่อ โปรดดูคำแนะนำที่มากับขั้ววูฟเฟอ

Signal cord (not supplied for this unit) 連接導線（不隨本機提供）
สายเคเบิลสัญญาณ (ไม่ได้ให้มากับชุดประกอบนี้) سلك مفرد (غير مزود مع الجهاز)



External Component / 外接部件 / อุปกรณ์ภายนอก / جهاز الكمبيوتر الخارجي

*4 Line Input Adapter KS-U57 (not supplied for this unit) 線輸入適配器KS-U57 (不隨本機提供)
*4 อแดปเตอร์สายสัญญาณเข้า KS-U57 (ไม่ได้ให้มากับชุดประกอบนี้) *4 مهایی، دخل الخط KS-U57 (غير مزود مع عذا لجهاز)



Signal cord (not supplied for this unit) 連接導線（不隨本機提供）
สายเคเบิลสัญญาณ (ไม่ได้ให้มากับชุดประกอบนี้) سلك مفرد (غير مزود مع الجهاز)